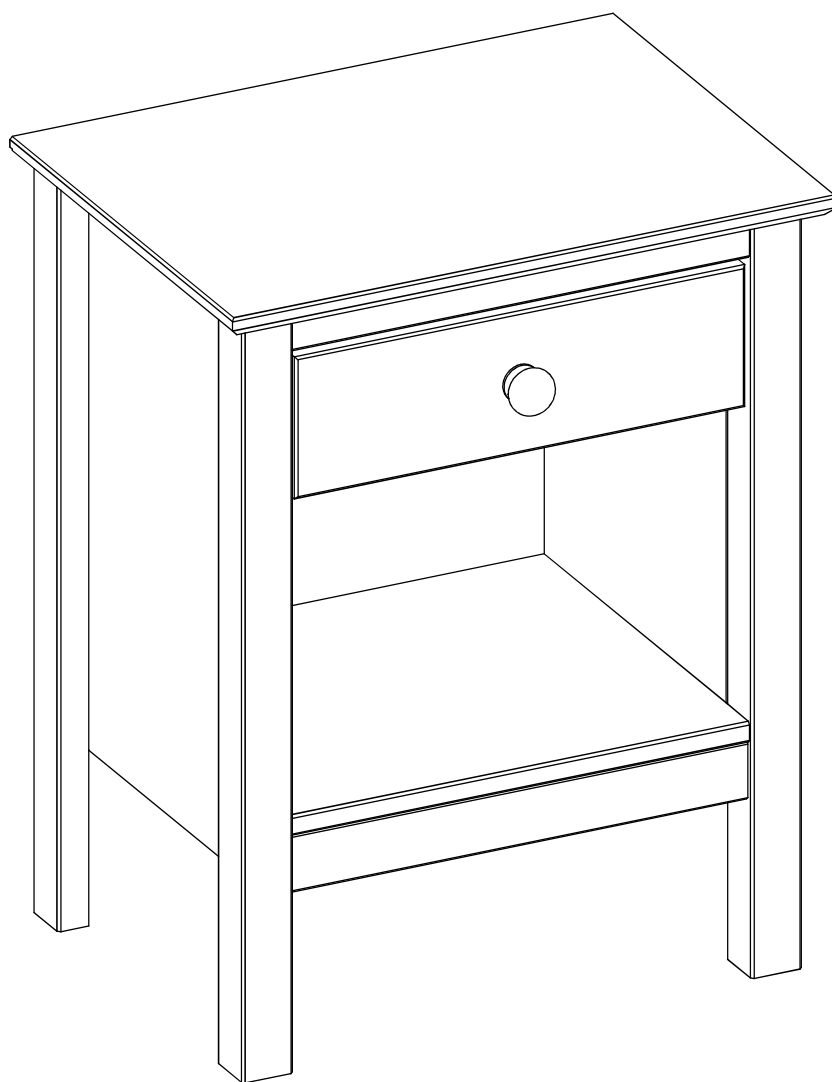
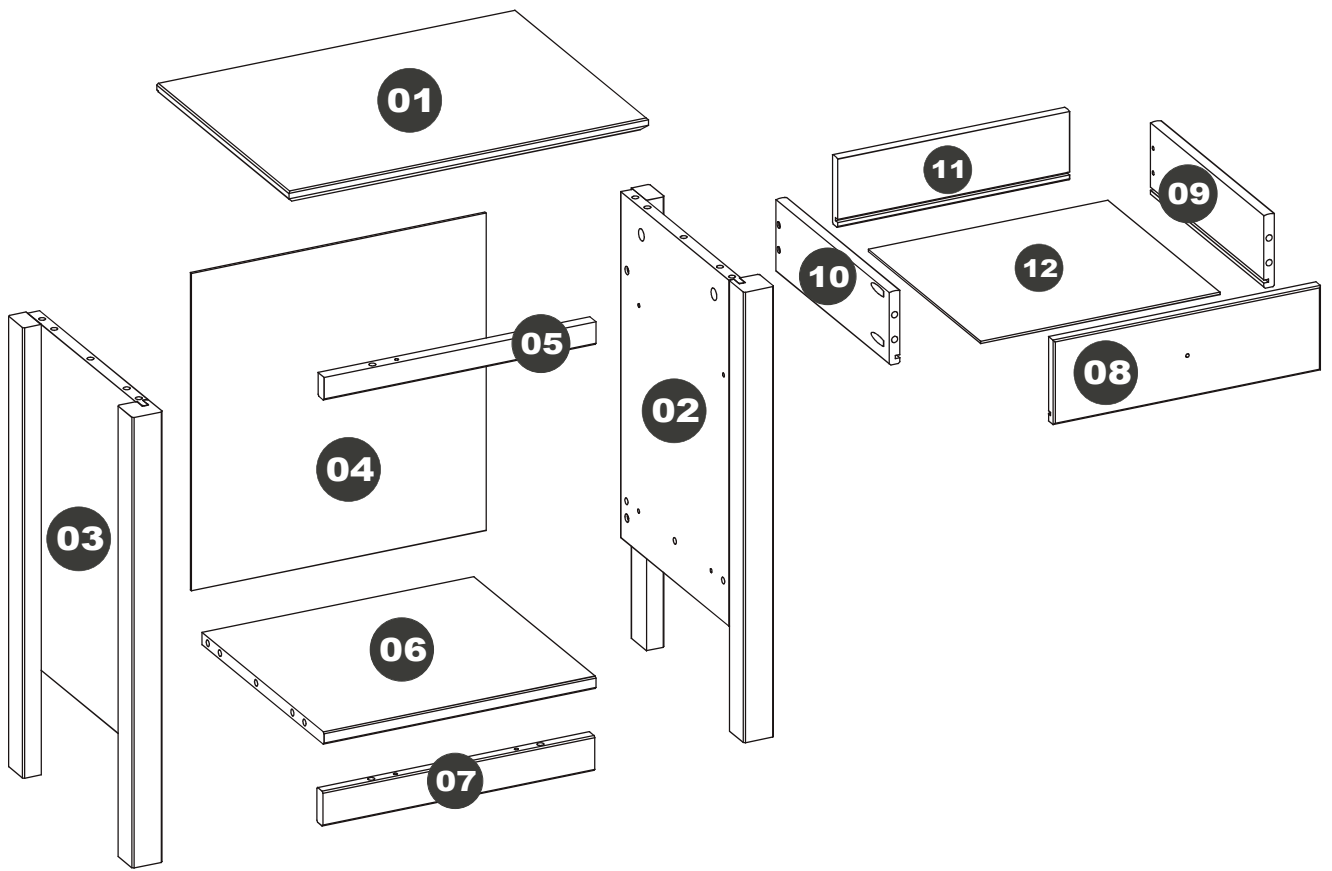
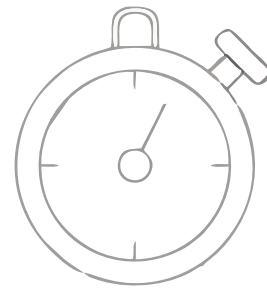
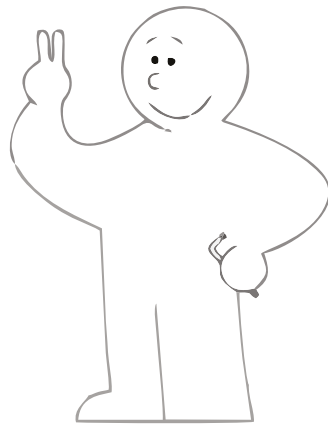
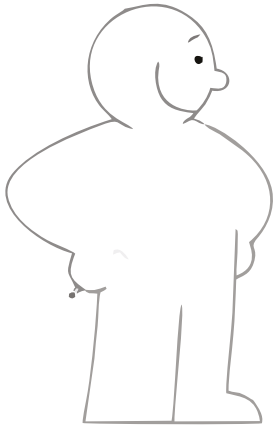


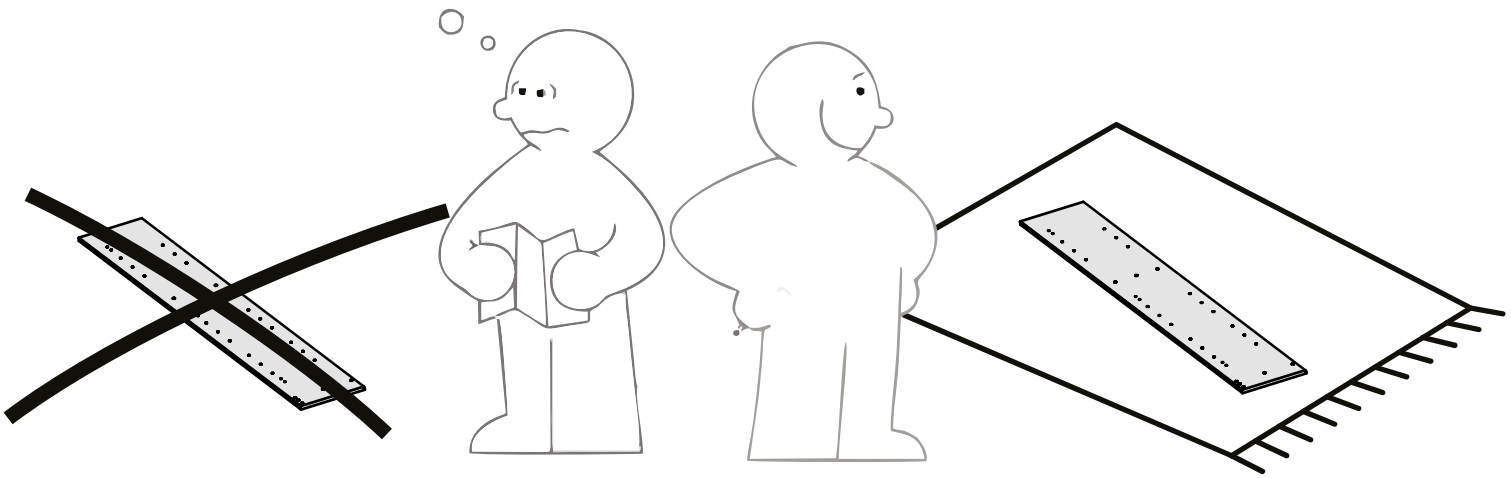
# 1 Drawer Bedside



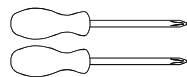
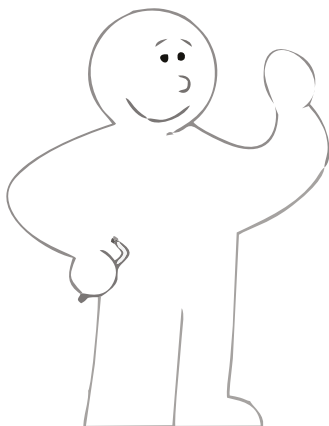




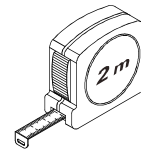
**30 Min**



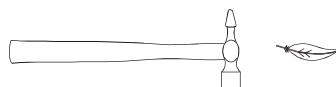
### Tools required



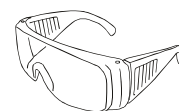
Phillips screwdriver  
(medium & large)



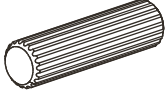
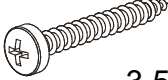

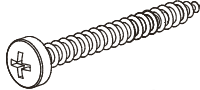

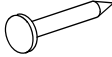
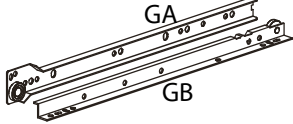
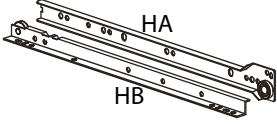


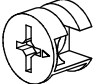
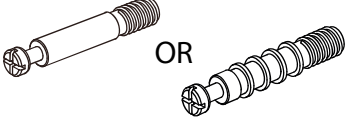
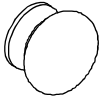
Ruler/tape  
measure



Small  
hammer



Eye protection  
(when using a  
hammer or glue)

A	 8x30mm	20	B	 3,5x30mm	11
C	 3,0x16mm	07	D	 4,0x40mm	05
E	 6,0x10mm	04	F		12
G	 LEFT SET 300mm	01	H	 300mm RIGH T SET	01
I		01	J		02
K		08	L	 OR	08
M		01			

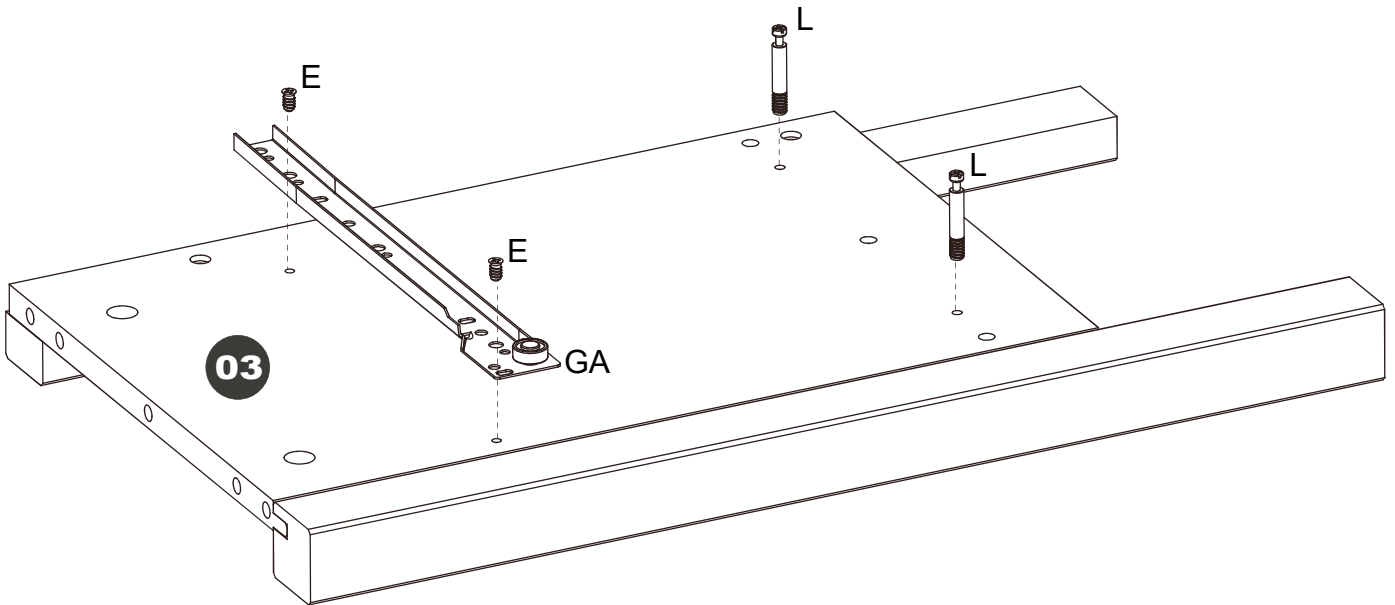
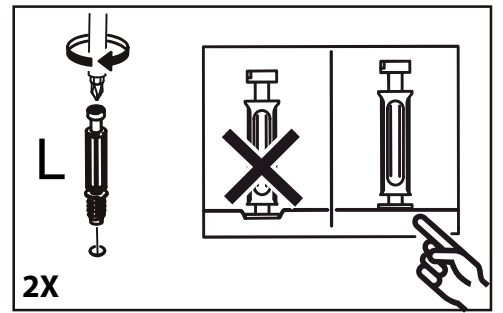
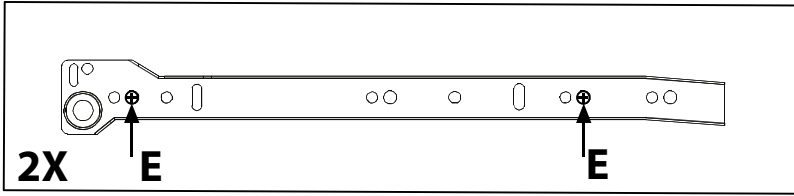


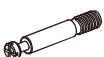
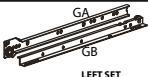

**HARDWARE IS LOCATED INSIDE A CARDBOARD BOX ! CHECK FOR IT BEFORE DISPOSING PACKAGING**

**Ruler - Use this ruler to help correctly identify the screws**

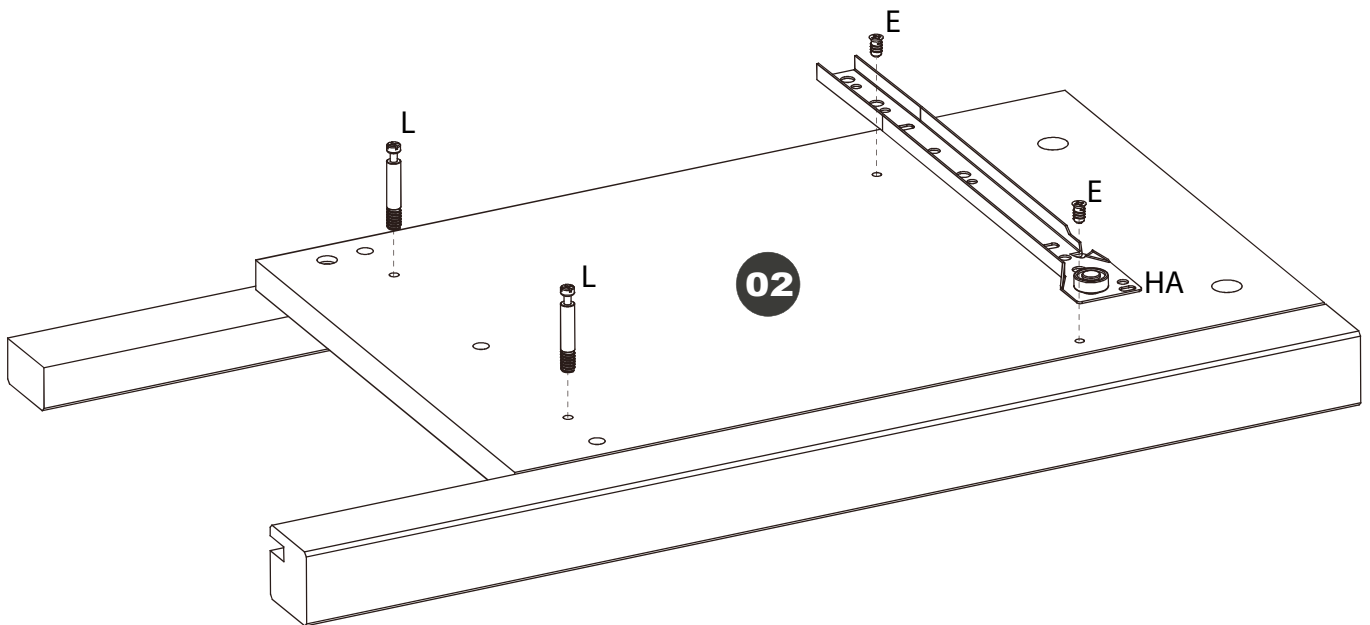
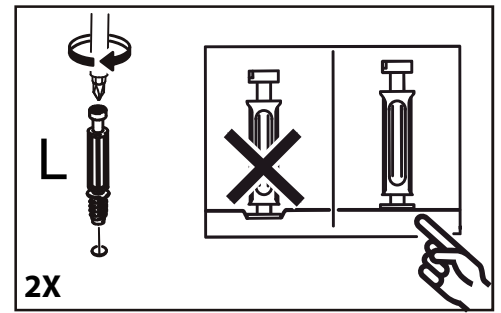
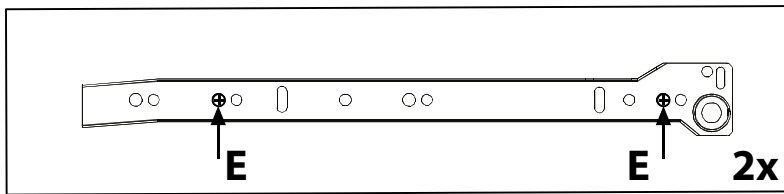


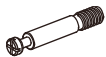
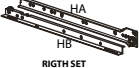

# 01



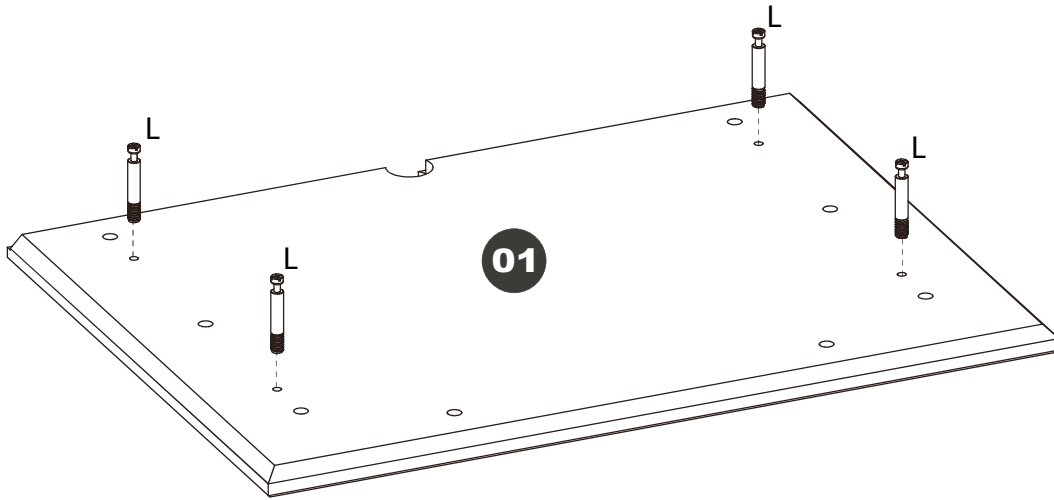
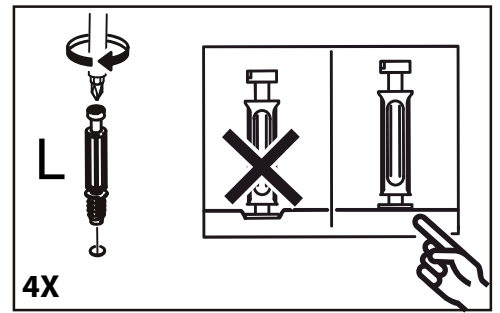
L		02	G		01	E		02
			LEFT SET			6,0x10mm		

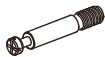
# 02



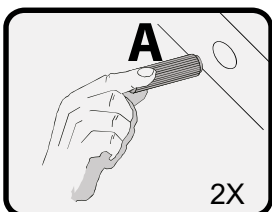
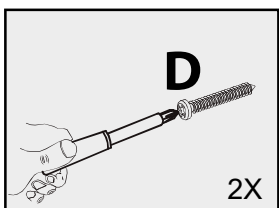
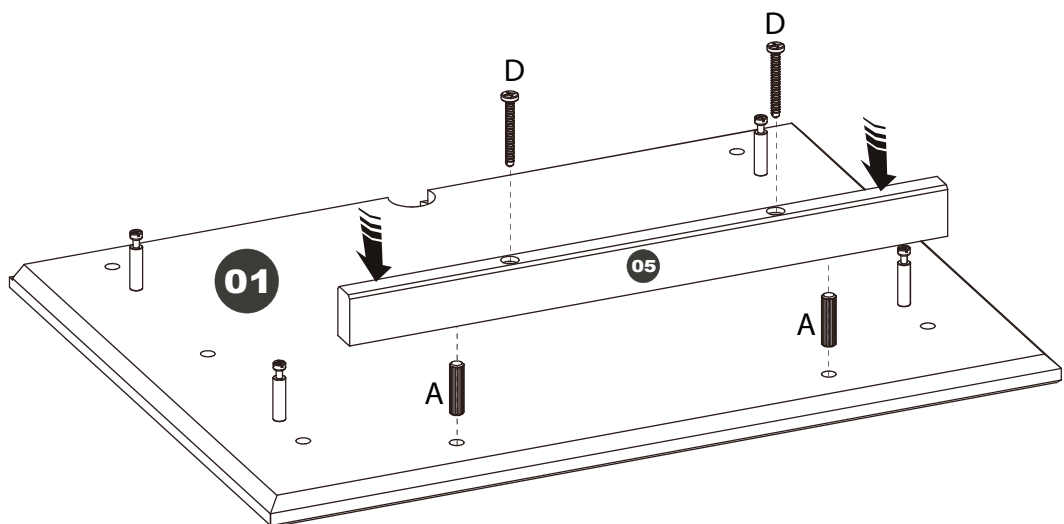
L		02	H		01	E		02
---	---	----	---	---	----	---	---	----



# 03



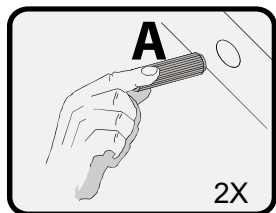
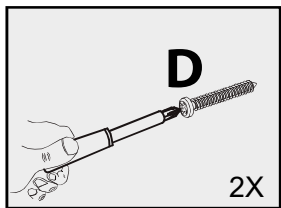
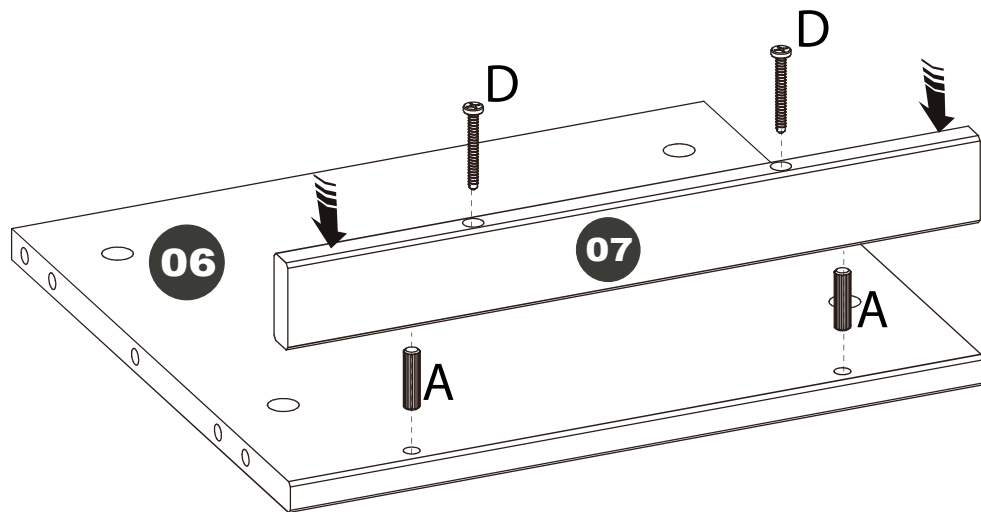
L		04
---	---	----


# 04




A	 8x30mm	02	D	 4,0x40mm	02
---	---	----	---	--	----

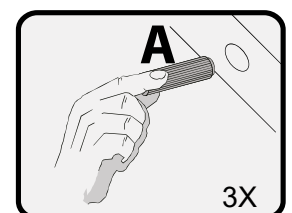
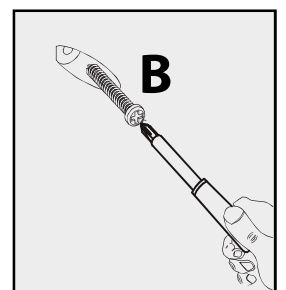
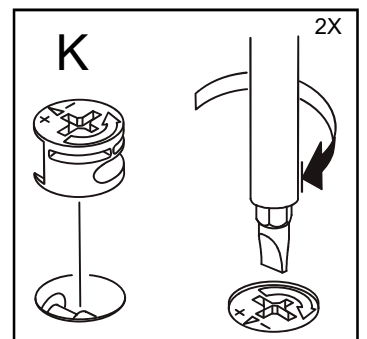
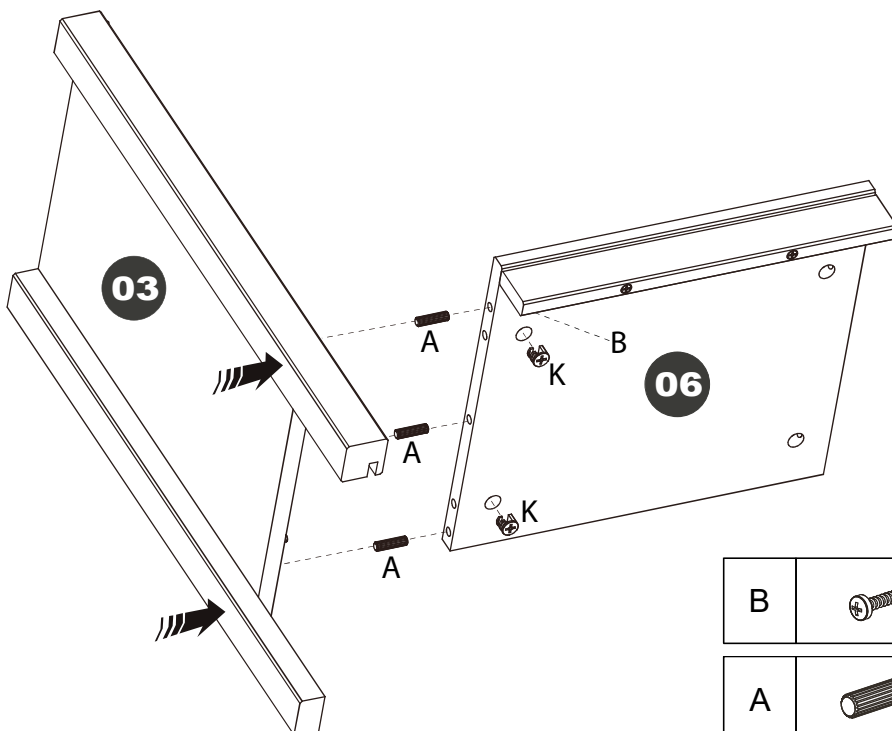
# 05





A		8x30mm	02
---	--	--------	----

D		4,0x40mm	02
---	---	----------	----

# 06

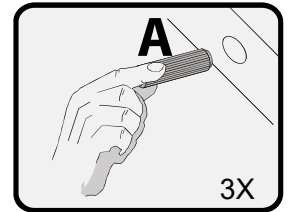
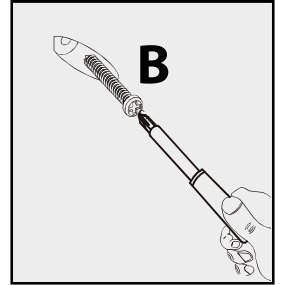
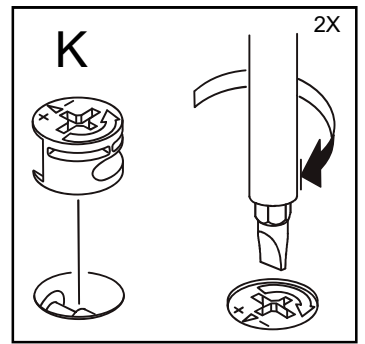
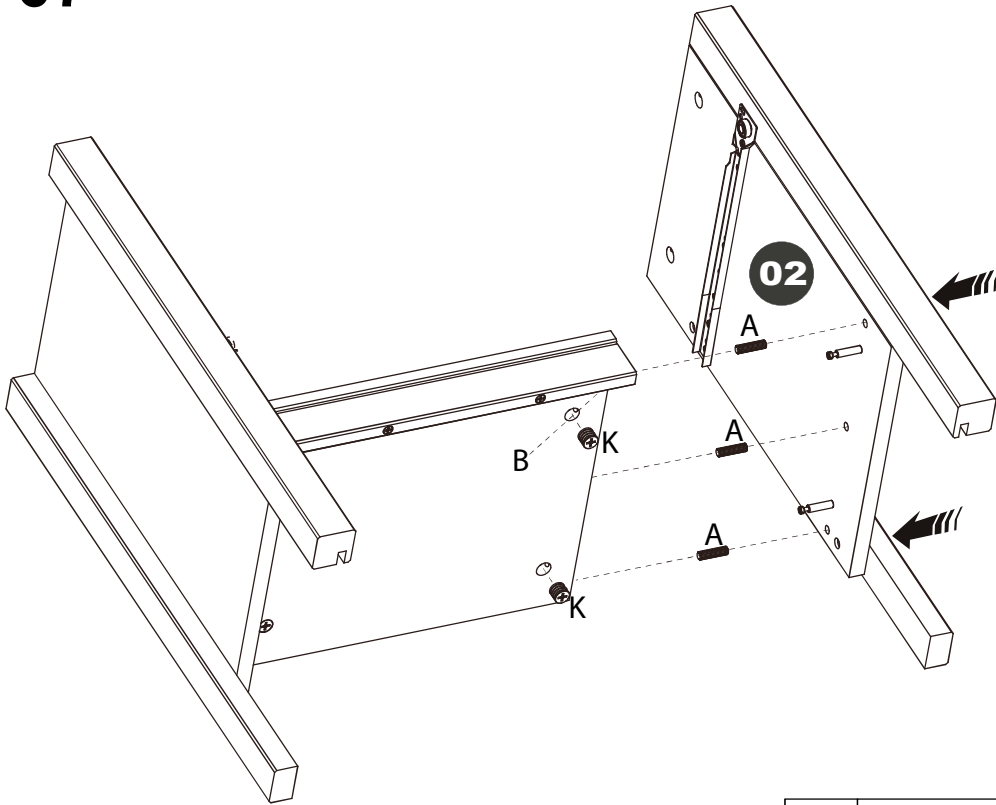



B		3,5x30mm	01
---	--	----------	----


A		8x30mm	03
---	--	--------	----


K			02
---	---	--	----

# 07

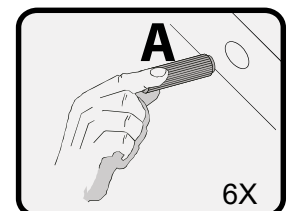
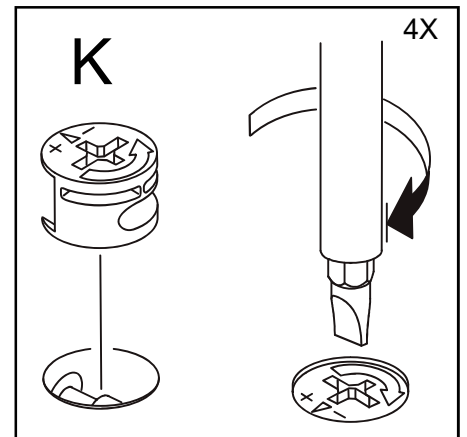
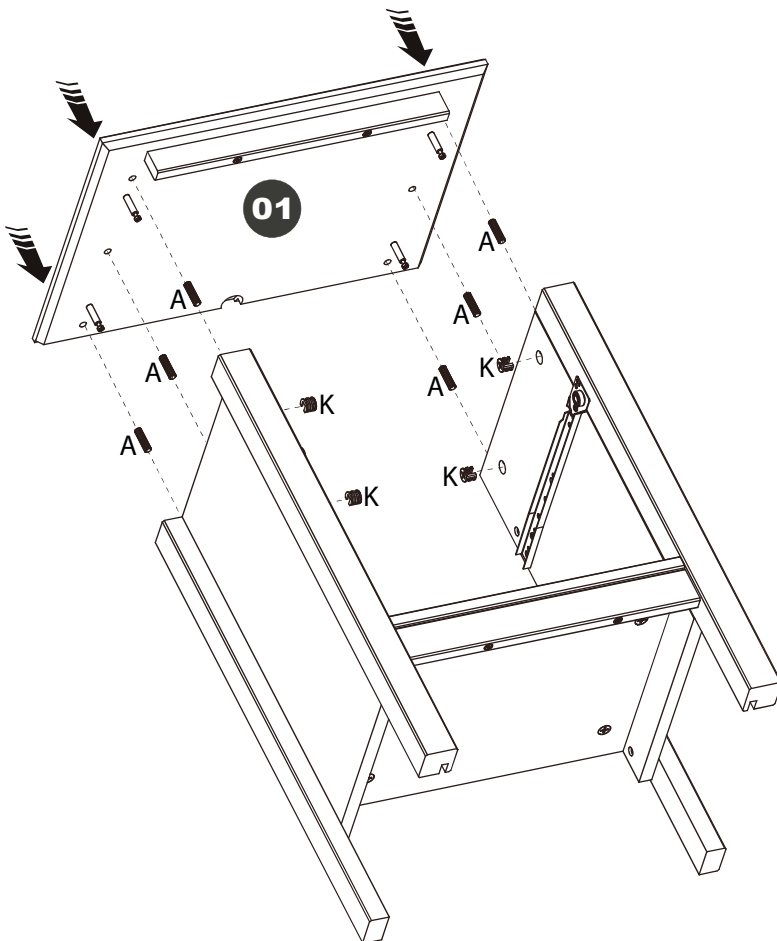




B		01
	3,5x30mm	

A		03
	8x30mm	

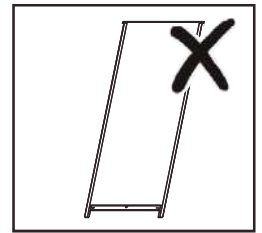
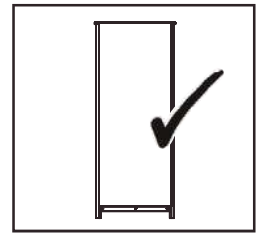
K		02
---	---	----

# 08

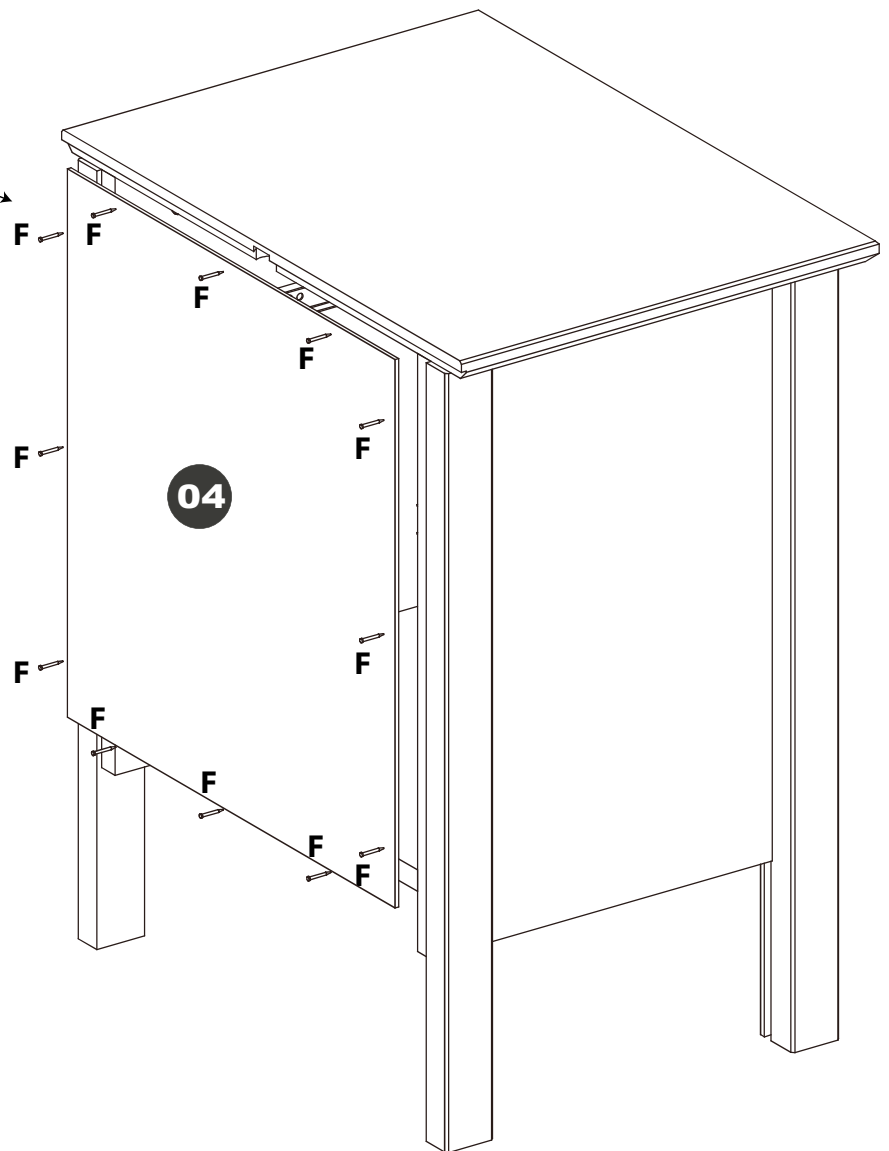
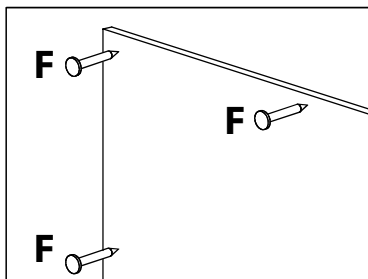


A		06	K		04
---	---	----	---	---	----

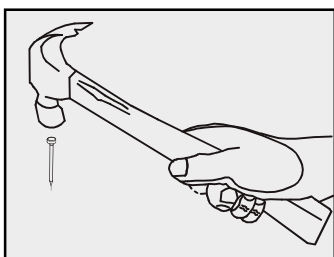
# 09




**!** **Important:**  
Cabinet **MUST** be  
'square' when back panel  
is attached.



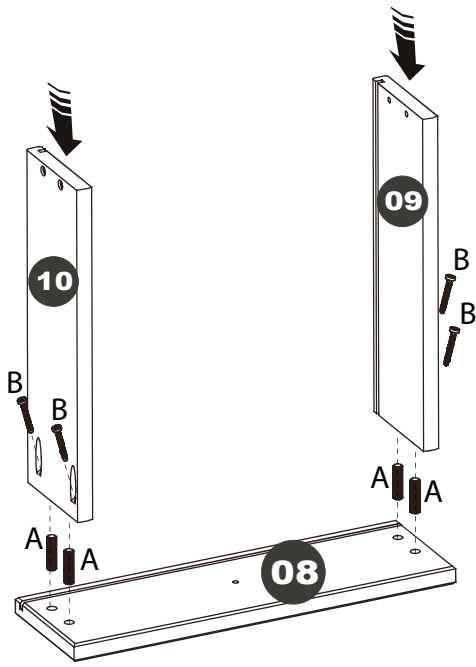
Use all back panels nails.  
Evenly spaced, they help  
make the unit strong.



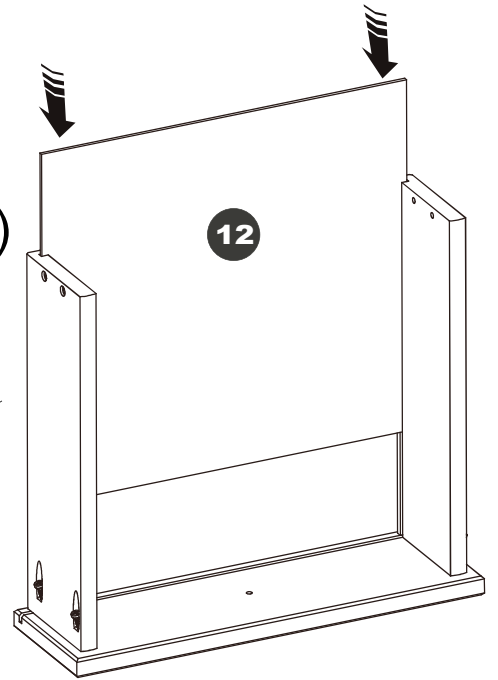
F		12
---	---	----

# 10

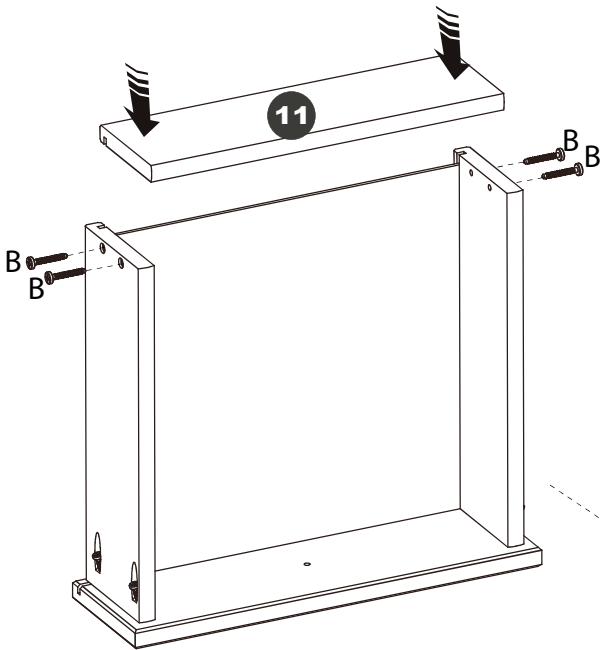
## a)



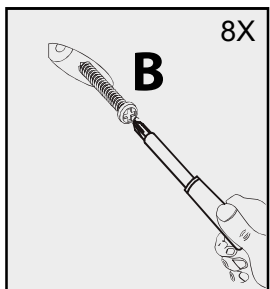
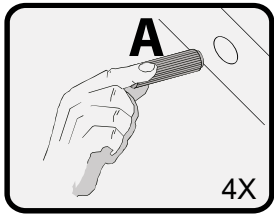
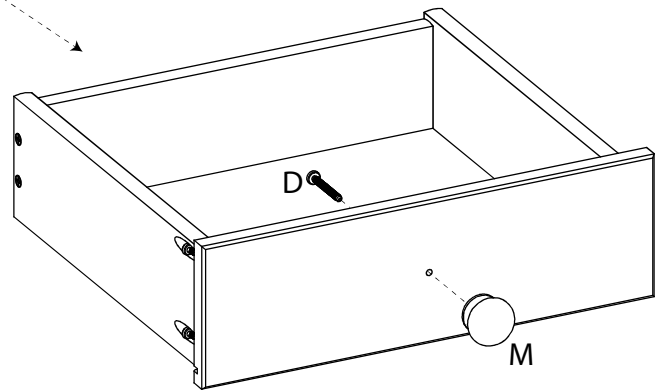
## b)



## c)



## d)

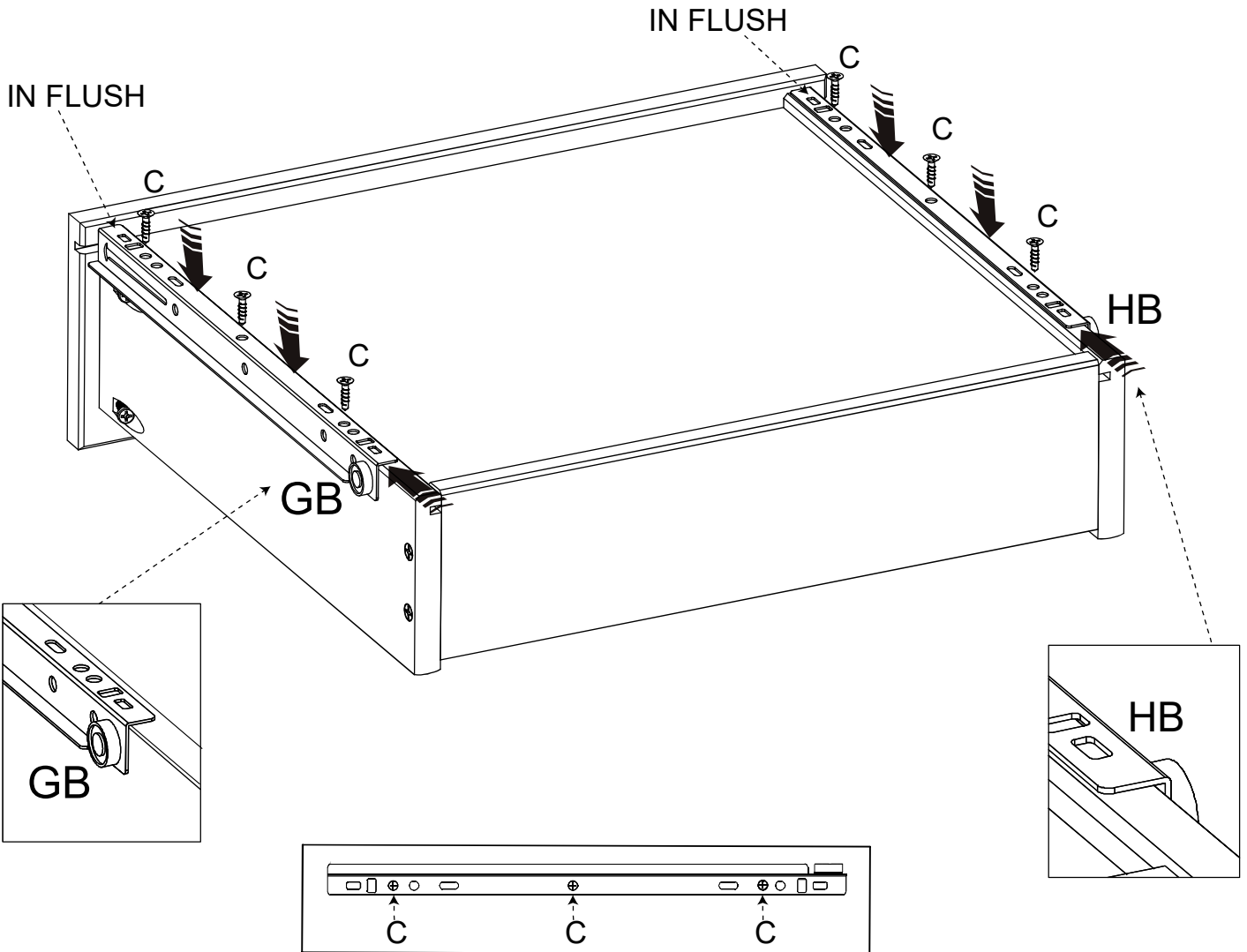


M		01
---	--	----

D		01
---	--	----

A		04
---	--	----

B		08
---	--	----



G		01
LEFT SET		

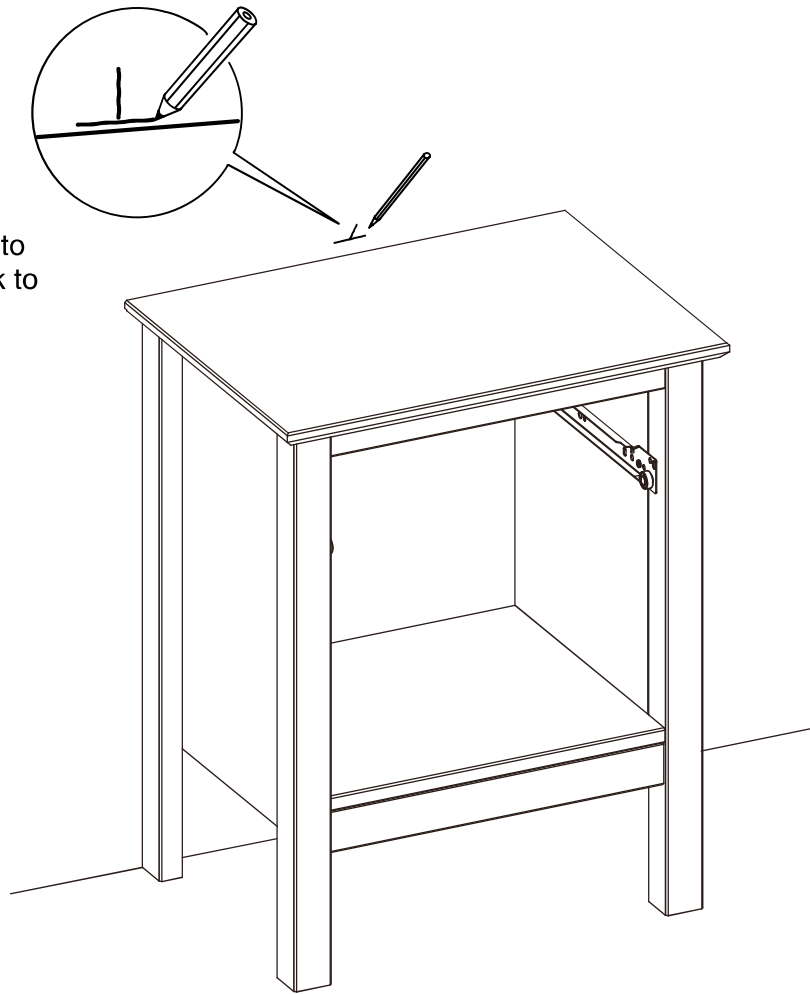
H		01
RIGHT SET		

C		06
3,0x16mm		

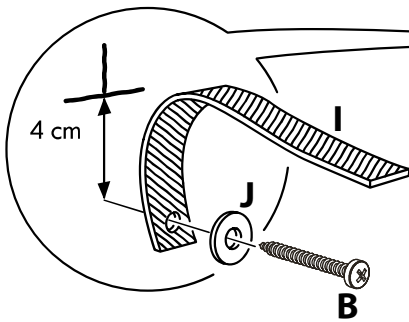
# 12



Position the furniture into place and make a mark to the wall, as shown.



# 13

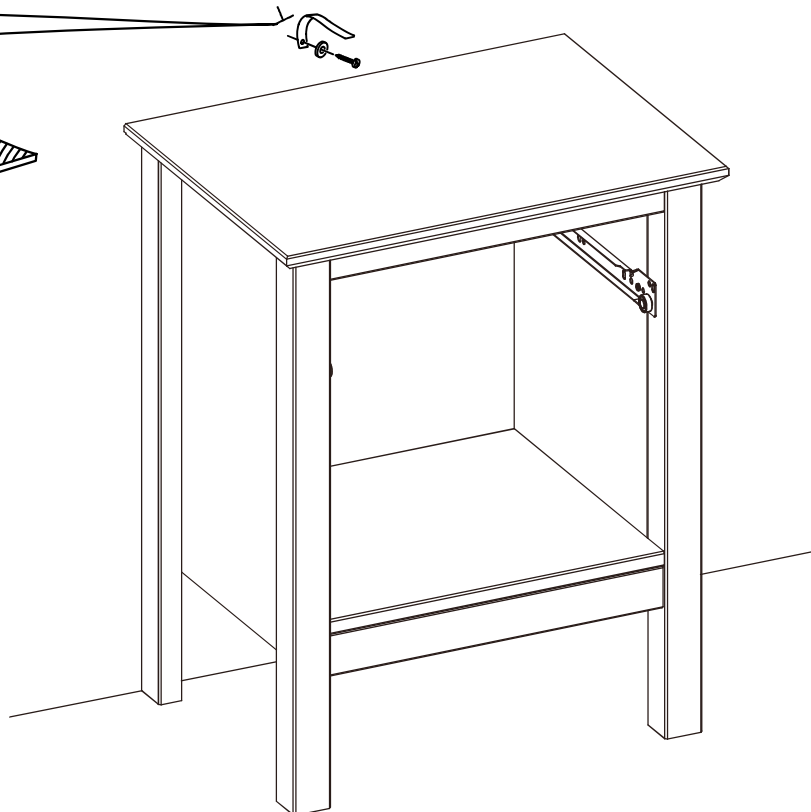


With help, carefully move the furniture away to access the mark in the wall.

Drill hole on wall 4cm below the mark, as shown in the diagram.



Before drilling, check wall for hidden pipes and cables.

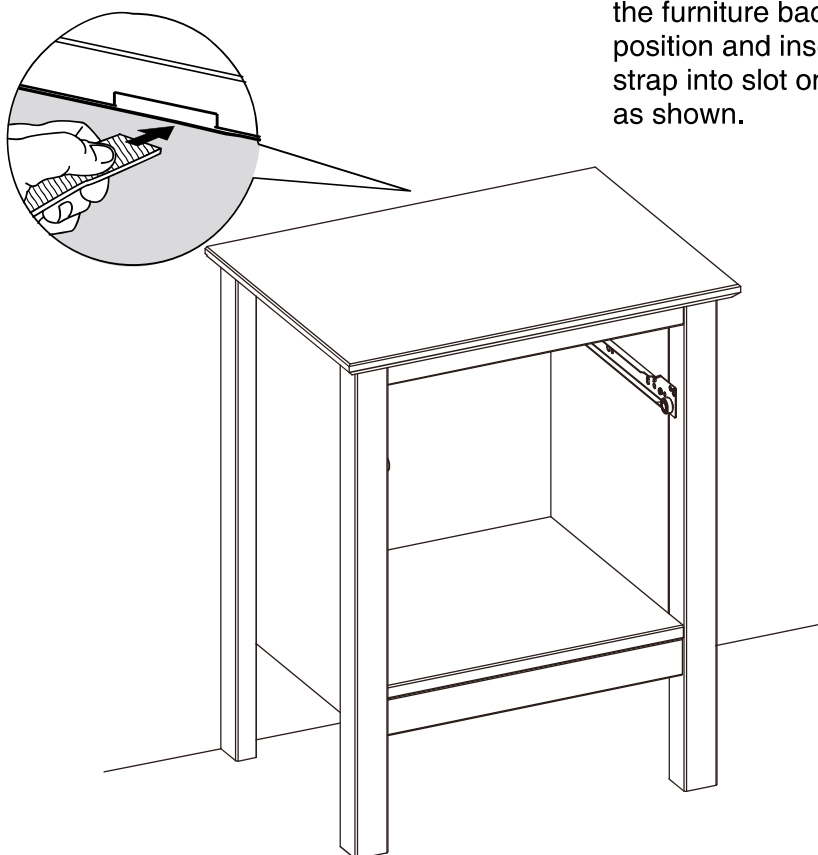


J		01	I		01	B		01
							3,5x30mm	

# 14



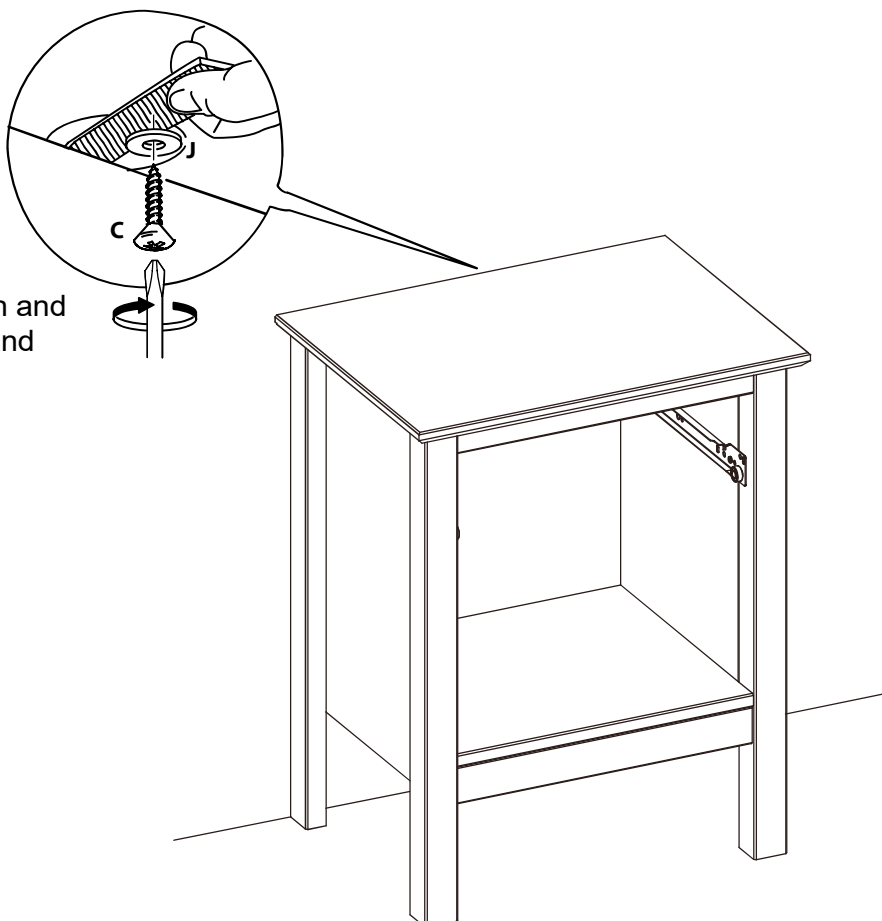
With help, carefully move the furniture back to position and insert wall strap into slot on top panel, as shown.



# 15



Inside the unit, hold wall strap in position and fix it using washer and screw, as shown.



J



01

C



3.0x16mm

01

