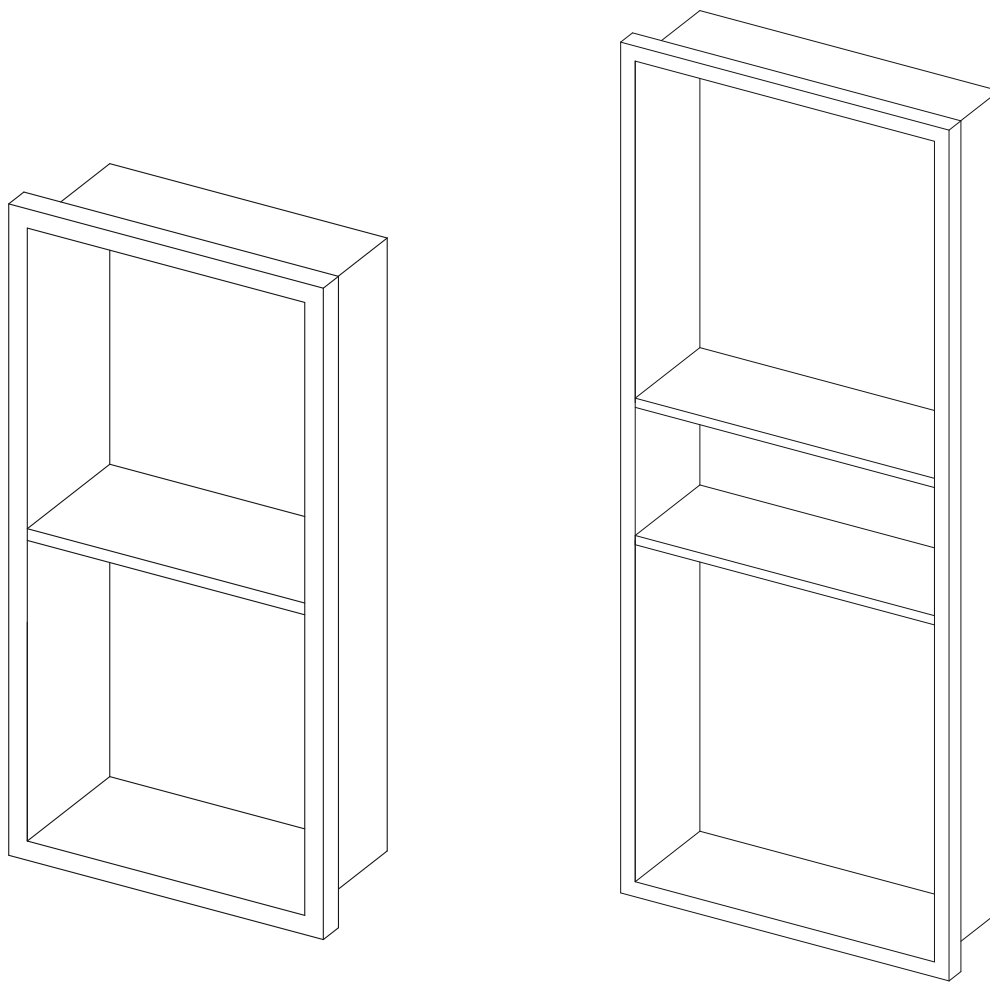
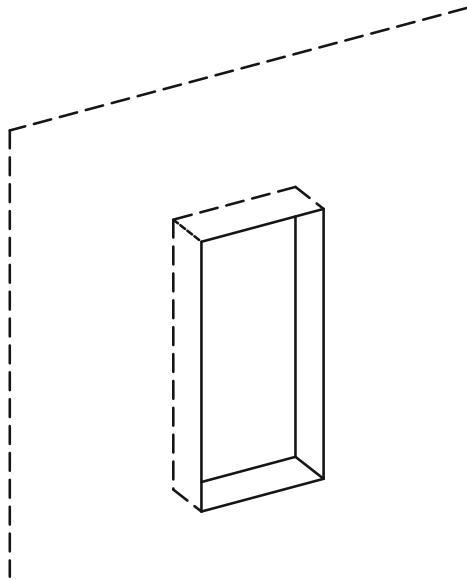


BATHROOM NICHE

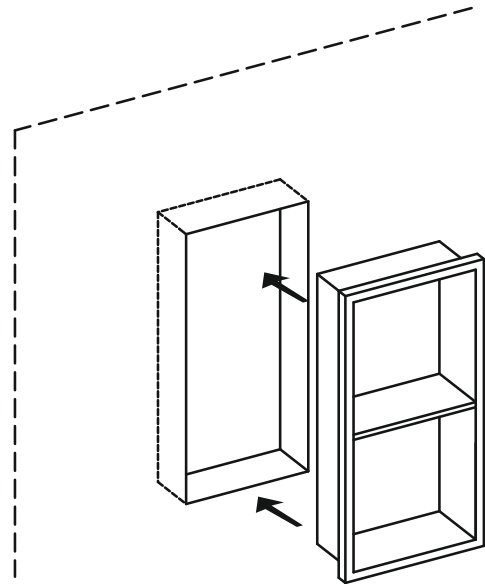


INSTALLATION DIAGRAM

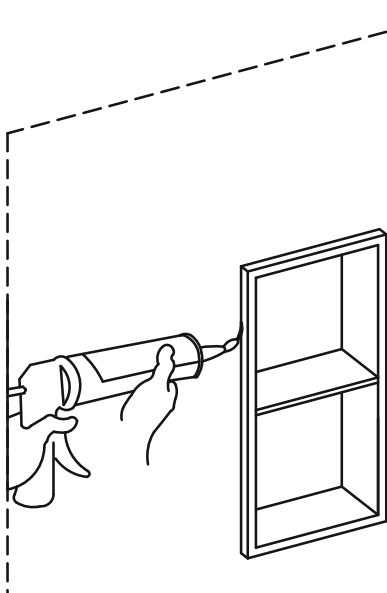
- 1 Preparing holes on the wall according to the dimension of the niche.



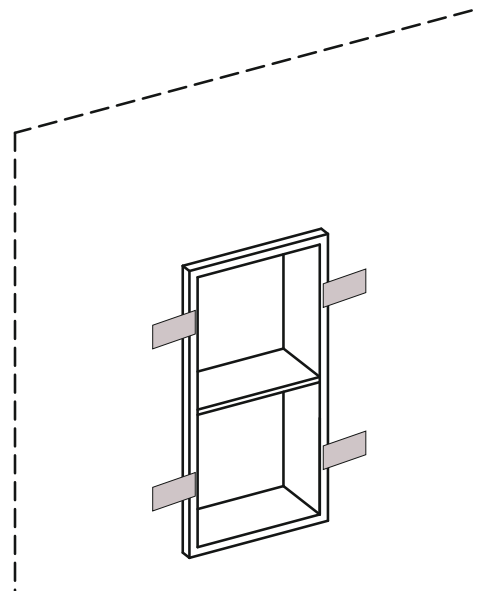
- 2 Insert the niche into the cave and press the surface to attach tightly.



- 3 Apply the sealant evenly along the edges.



- 4 Tape the flanges with wall to hold the niche in place until the sealant cured.



Customer Service:

For any questions or queries regarding our products, please contact our support team: JESSI@NORMANBYDECOR.COM