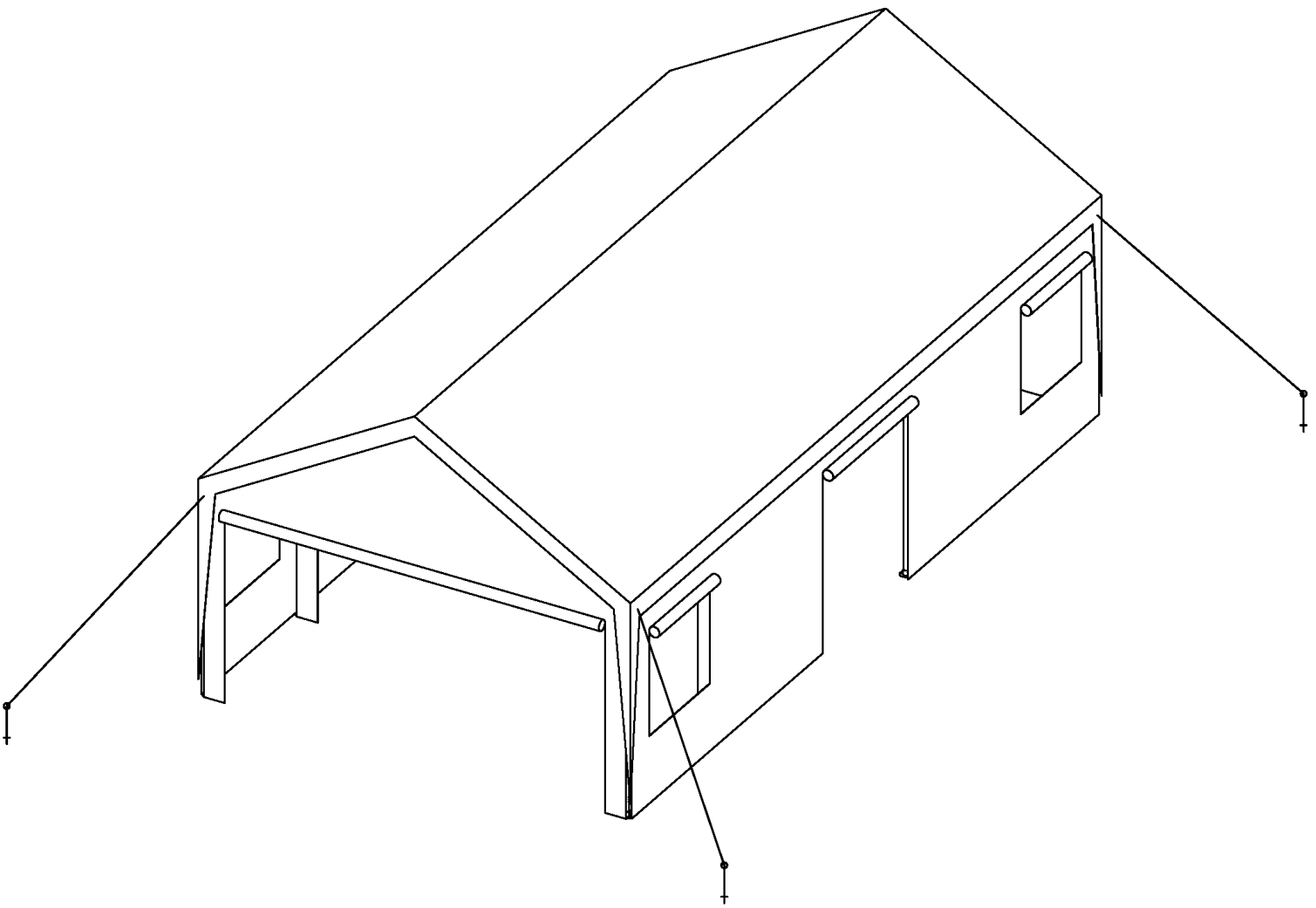


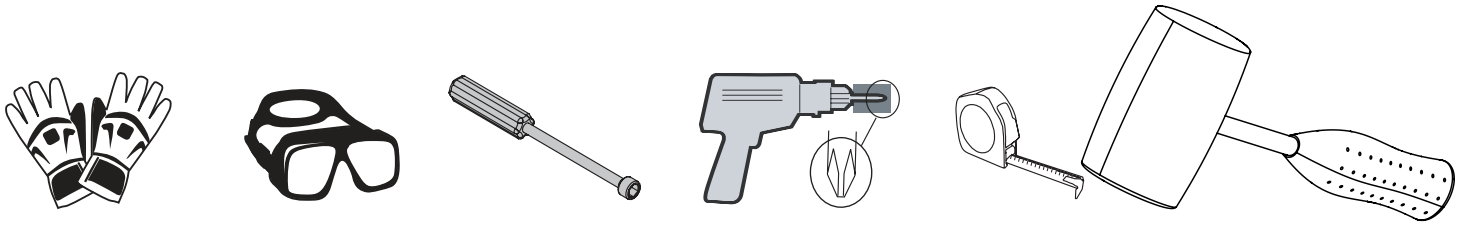
Carport 13ft x 26ft Assembly Guide



SAFETY

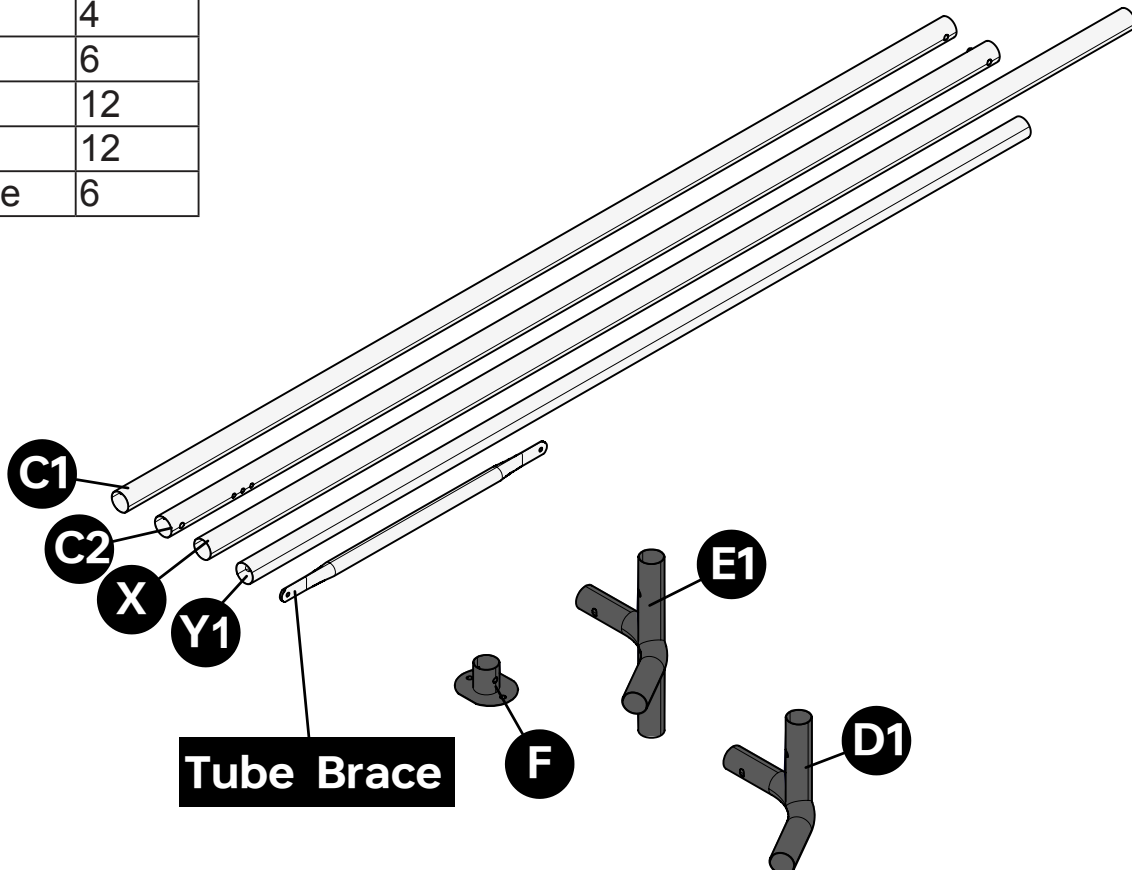
- Read all the safety information and instructions.
- Make sure you have all the parts before the assembling
- Do not assemble the carport on a stormy day. It will be damaged.
- Always wear work gloves, long sleeves, and safety goggles when assembling.
- Keep children and pets away from the assembly site.
- When using a ladder, make sure the ground is stable enough to hold the ladder.
- Remove snow from the roof after each snowfall.
- Do not walk on the roof, even if you can.

TOOLS

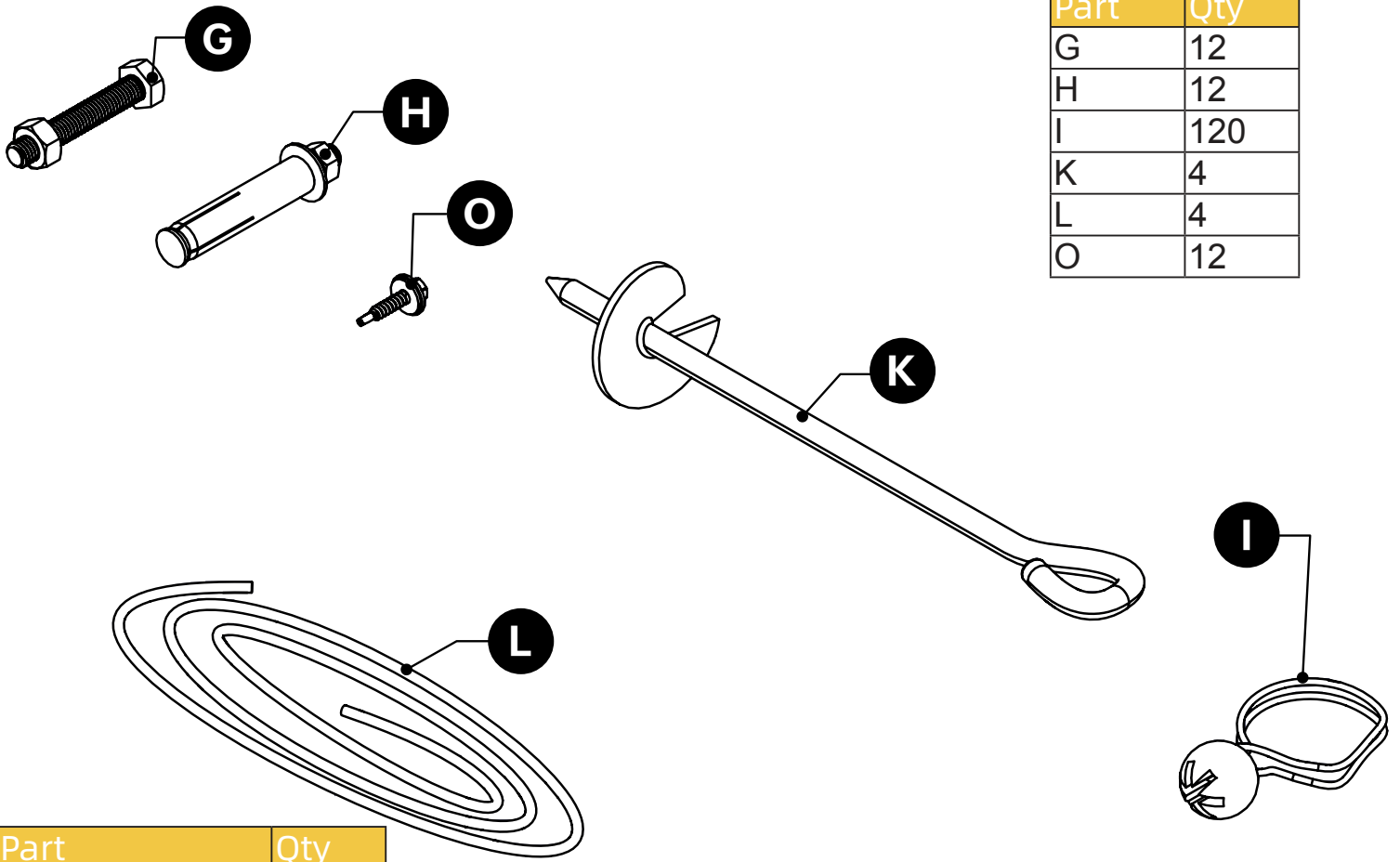


PART LIST

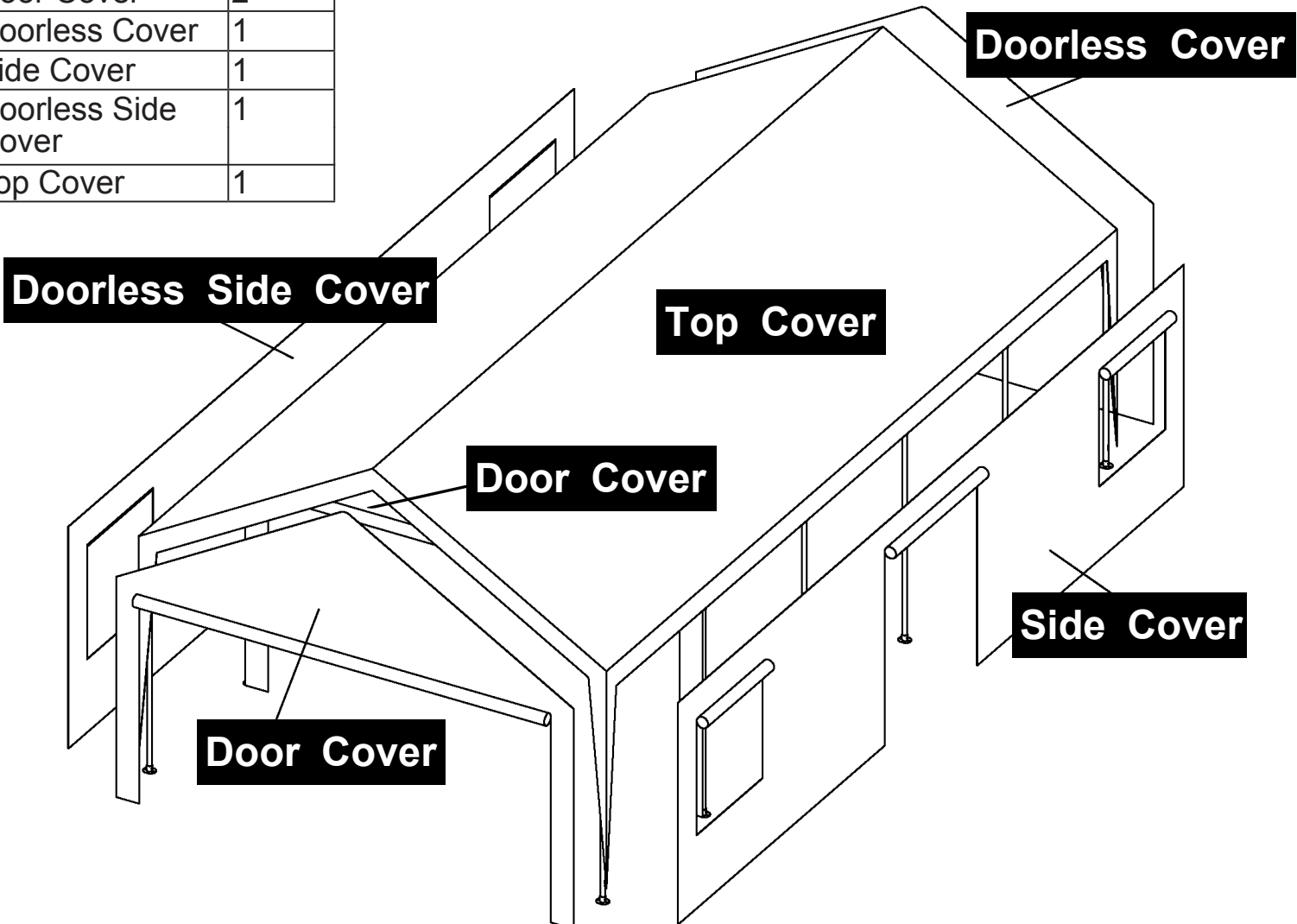
Part	Qty
X	12
Y1	15
C1	8
C2	4
D1	6
E1	12
F	12
Tube Brace	6



Part	Qty
G	12
H	12
I	120
K	4
L	4
O	12

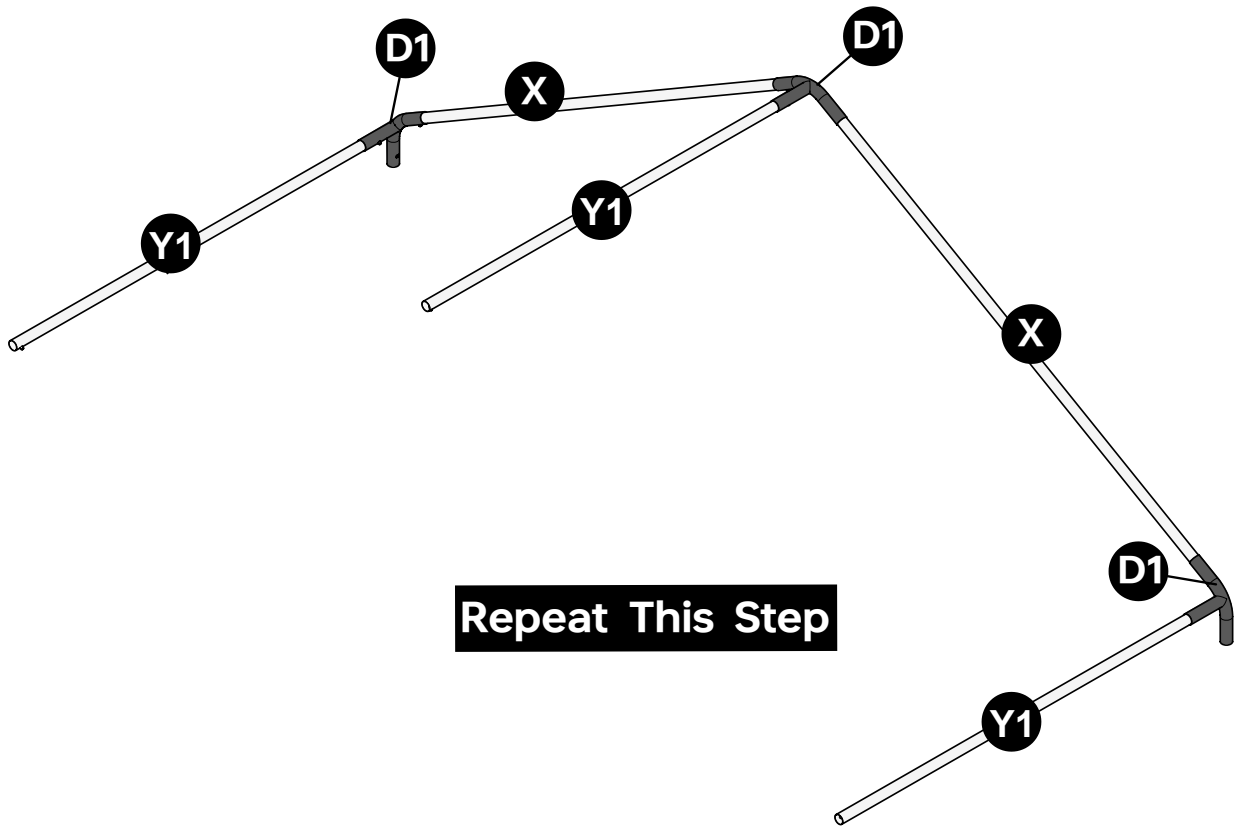


Part	Qty
Door Cover	2
Doorless Cover	1
Side Cover	1
Doorless Side Cover	1
Top Cover	1

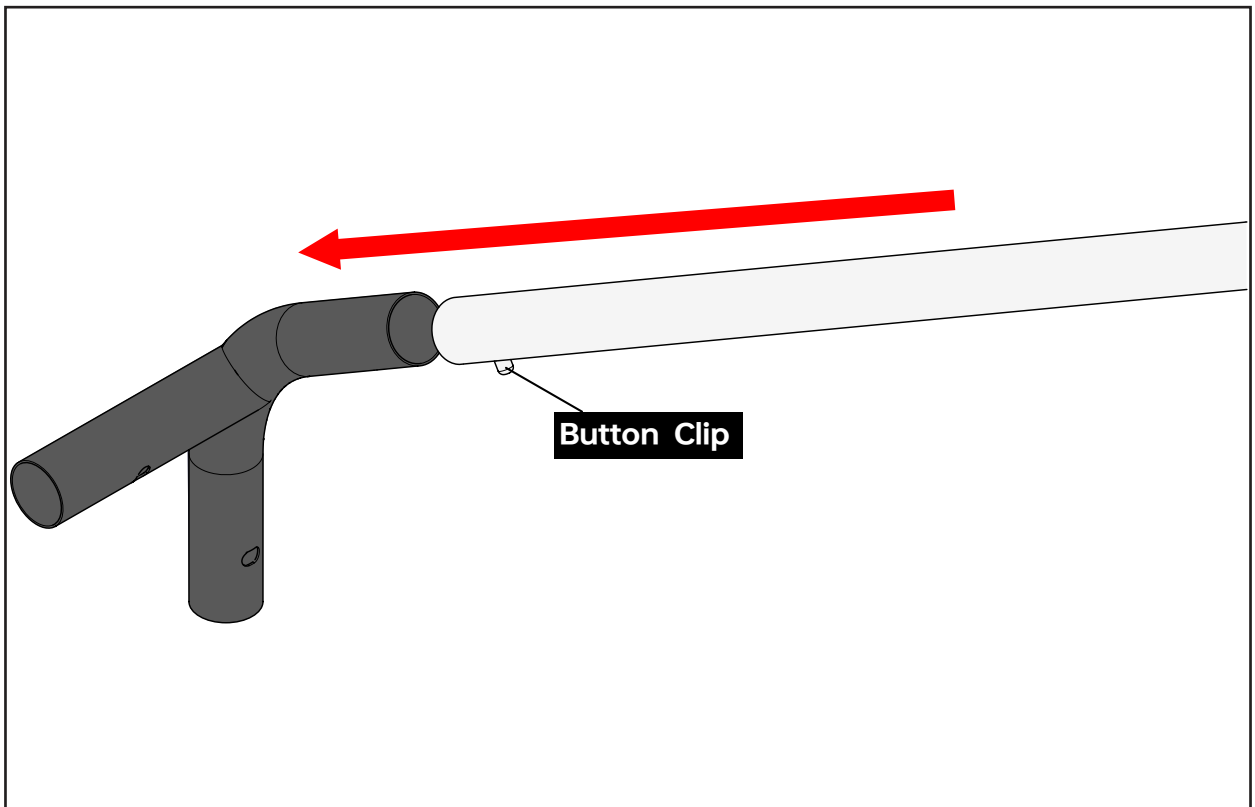


1

Part	Qty
X	4
Y1	6
D1	6

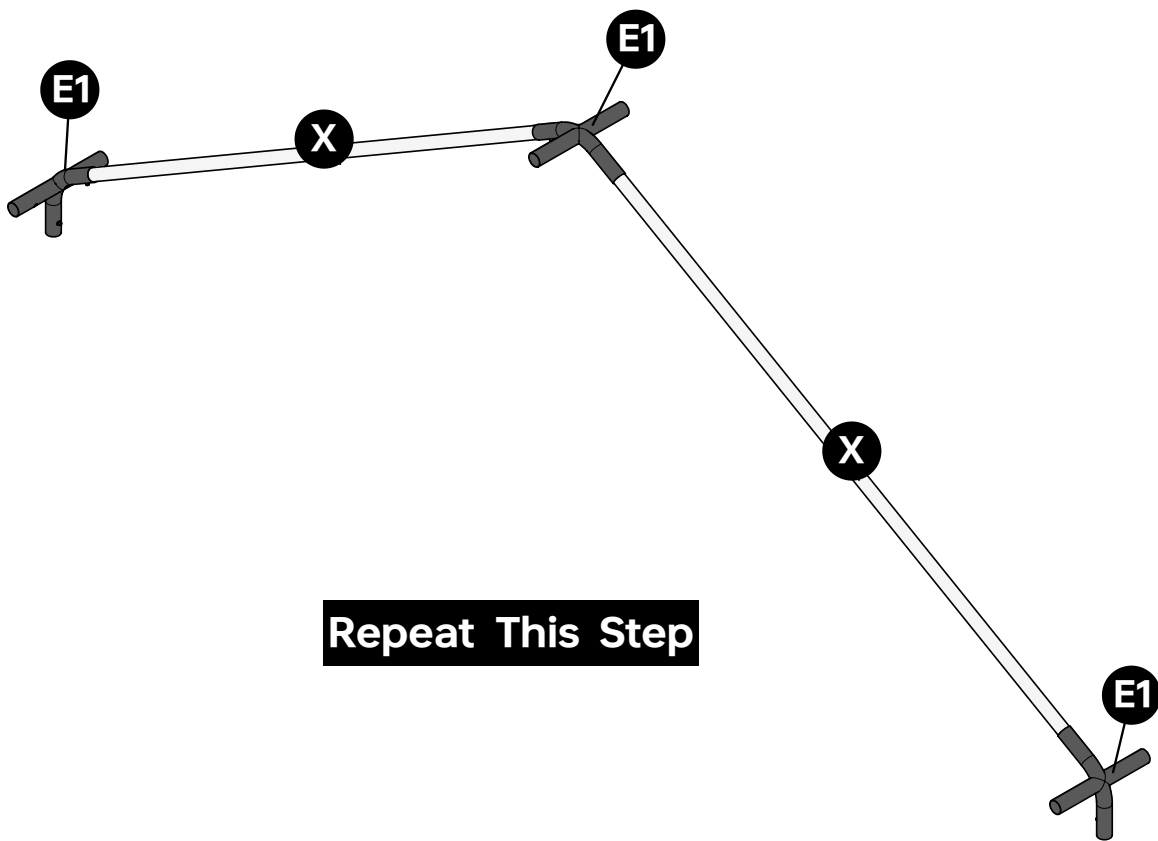


Repeat This Step



Note

For this product, tubes are connected using button clips. Button clips are already inserted inside tubes. When connecting, press the button clip and insert one tube into another. Forcing the tubes inside each other might also work but you are risking damaging the Clip. Repeat this step.

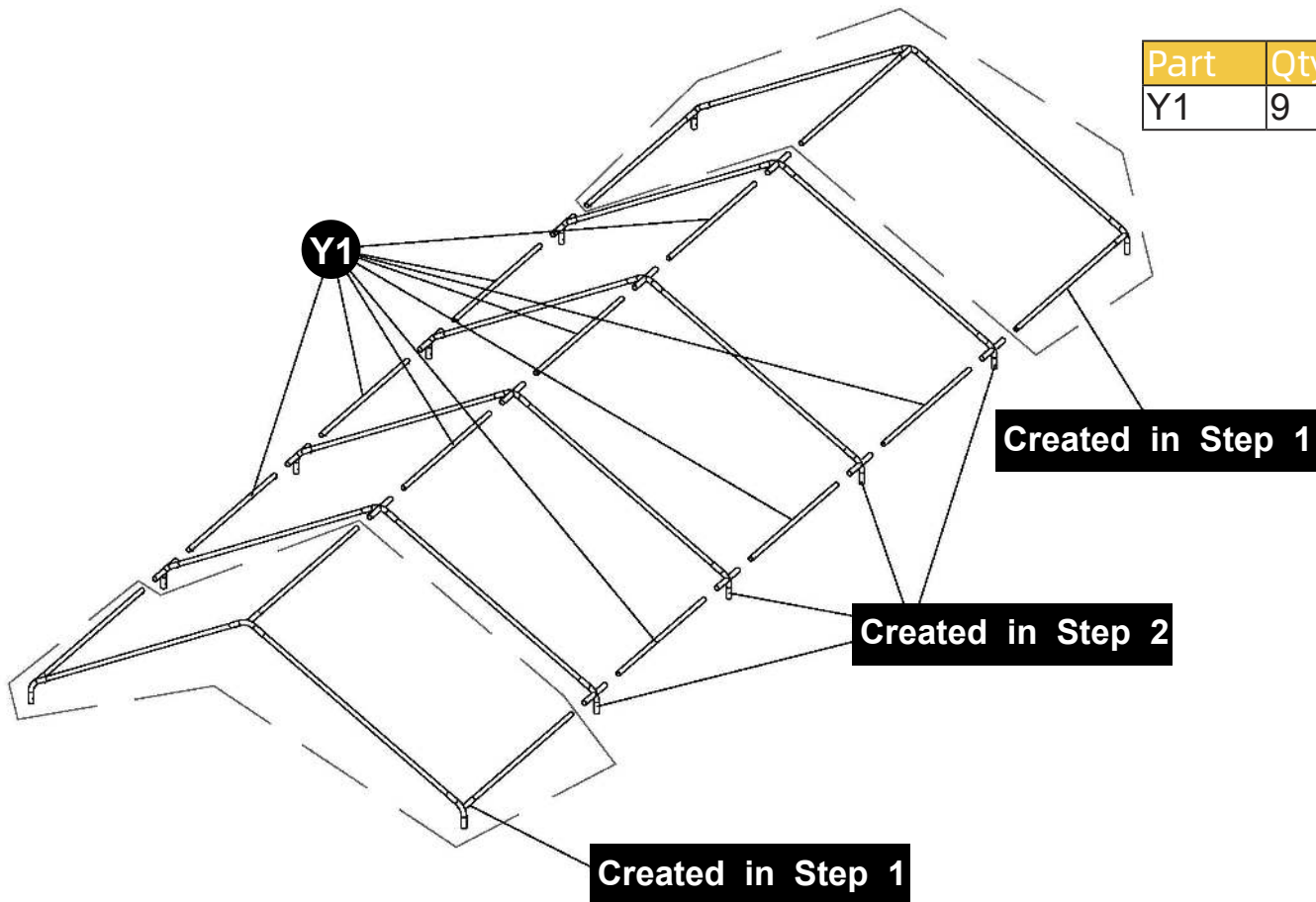


Part	Qty
X	8
E1	12

Repeat This Step

Note
Repeat this step.

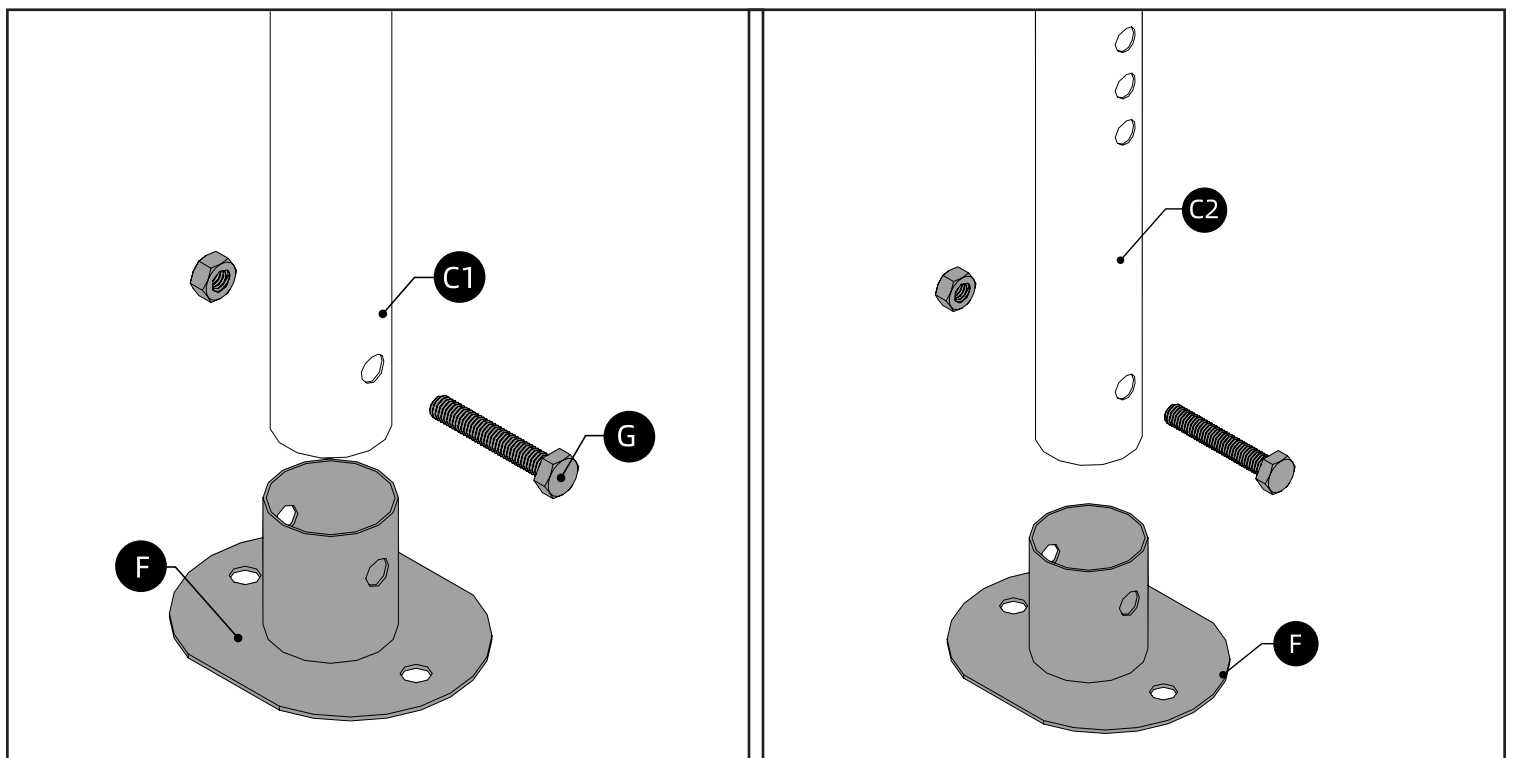
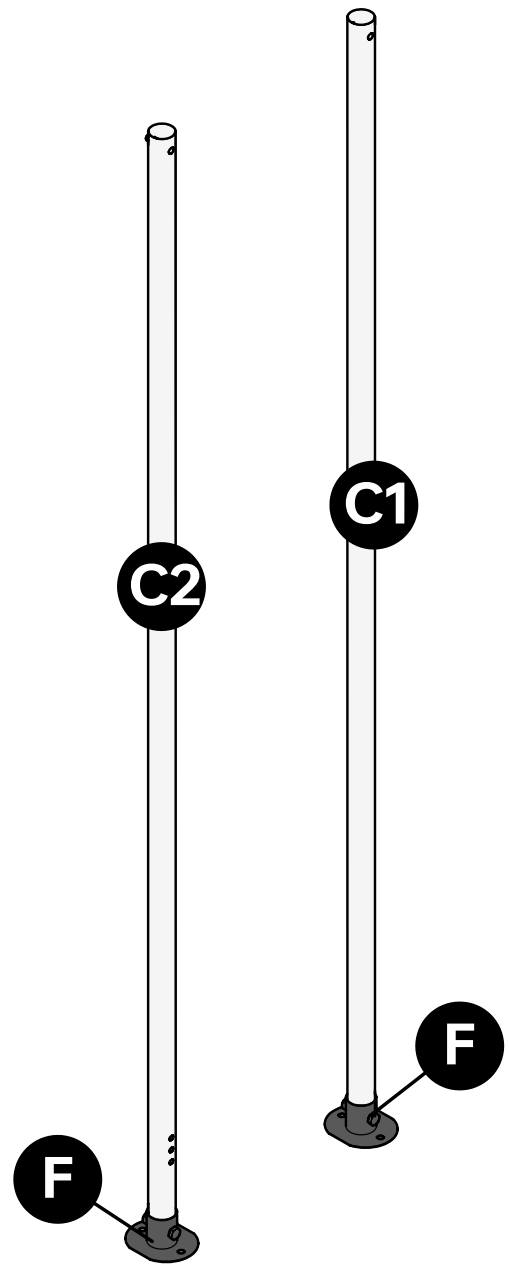
Part	Qty
Y1	9

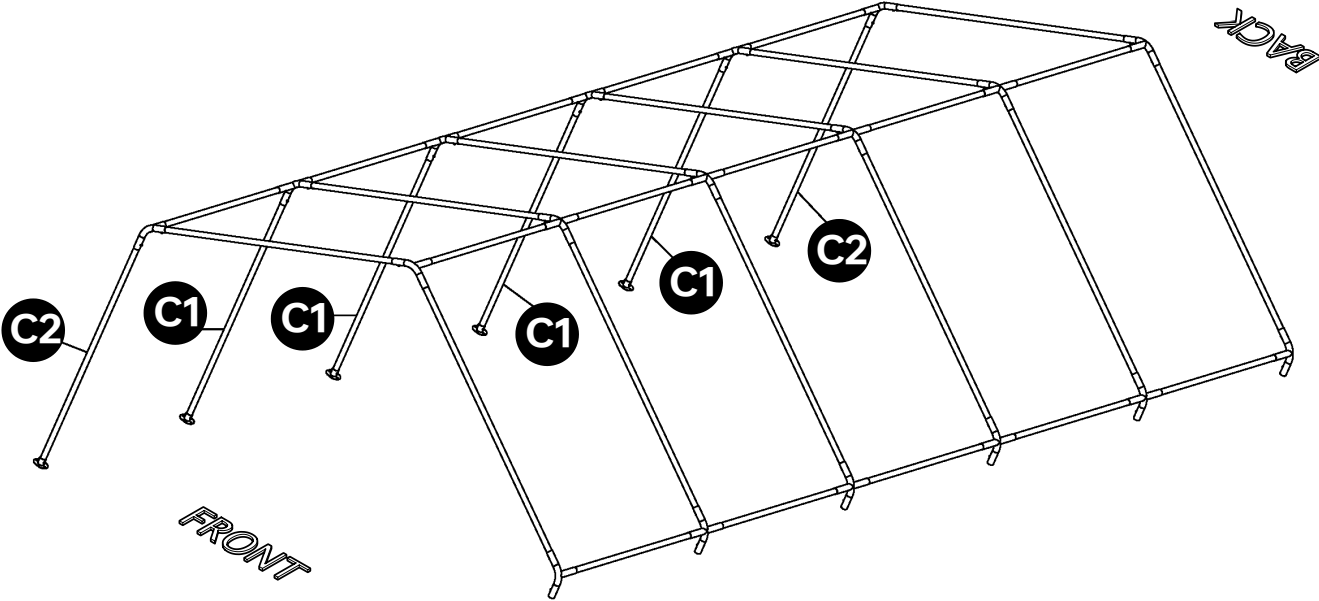


Part	Qty
C1	8
C2	4
F	12
G	12

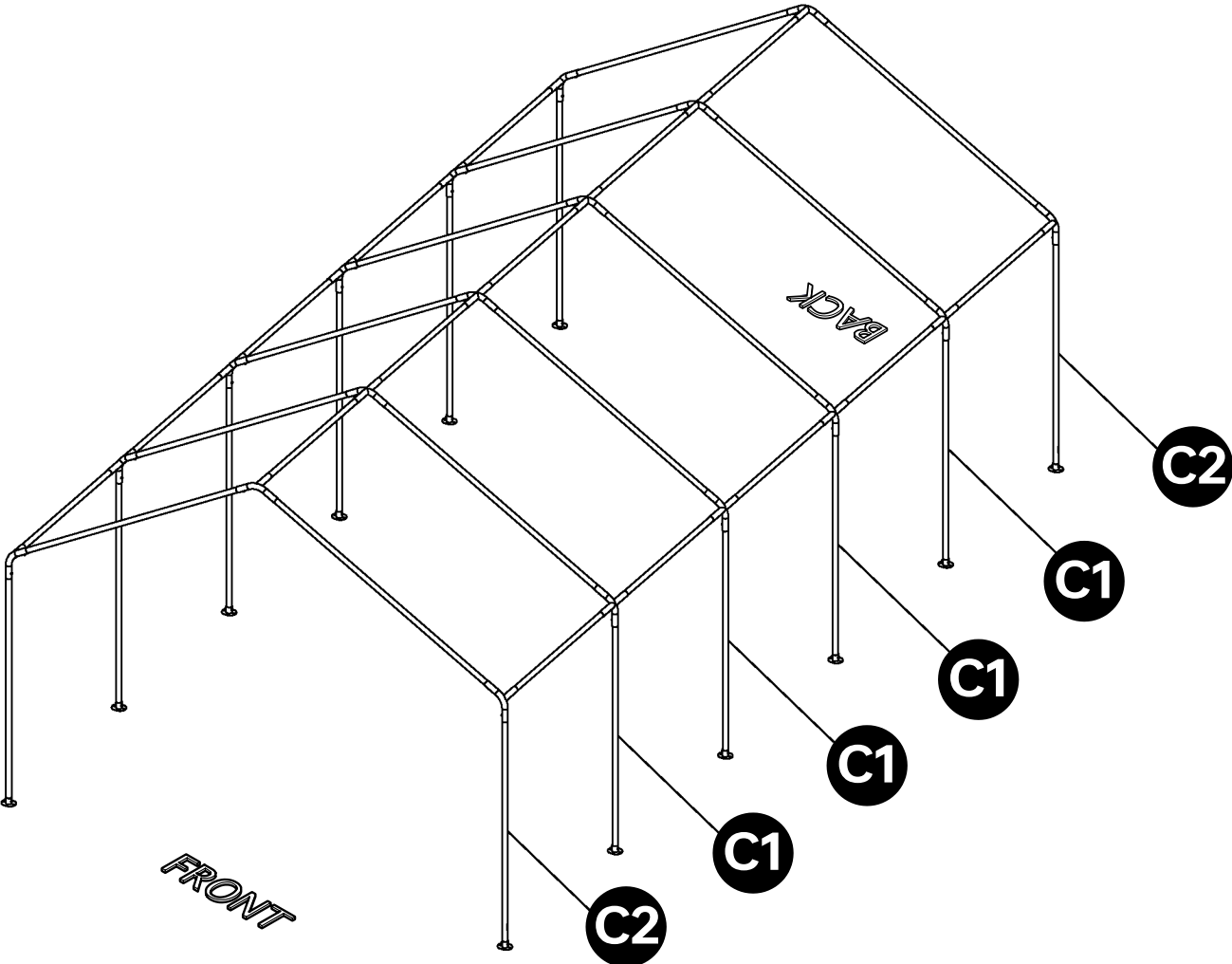
Note

Tubes like C1 and C2 only have one button clip inside. While connecting C1 and C2 to F, make sure to use the end without button clip. Repeat this step till you have used all C1 and C2.



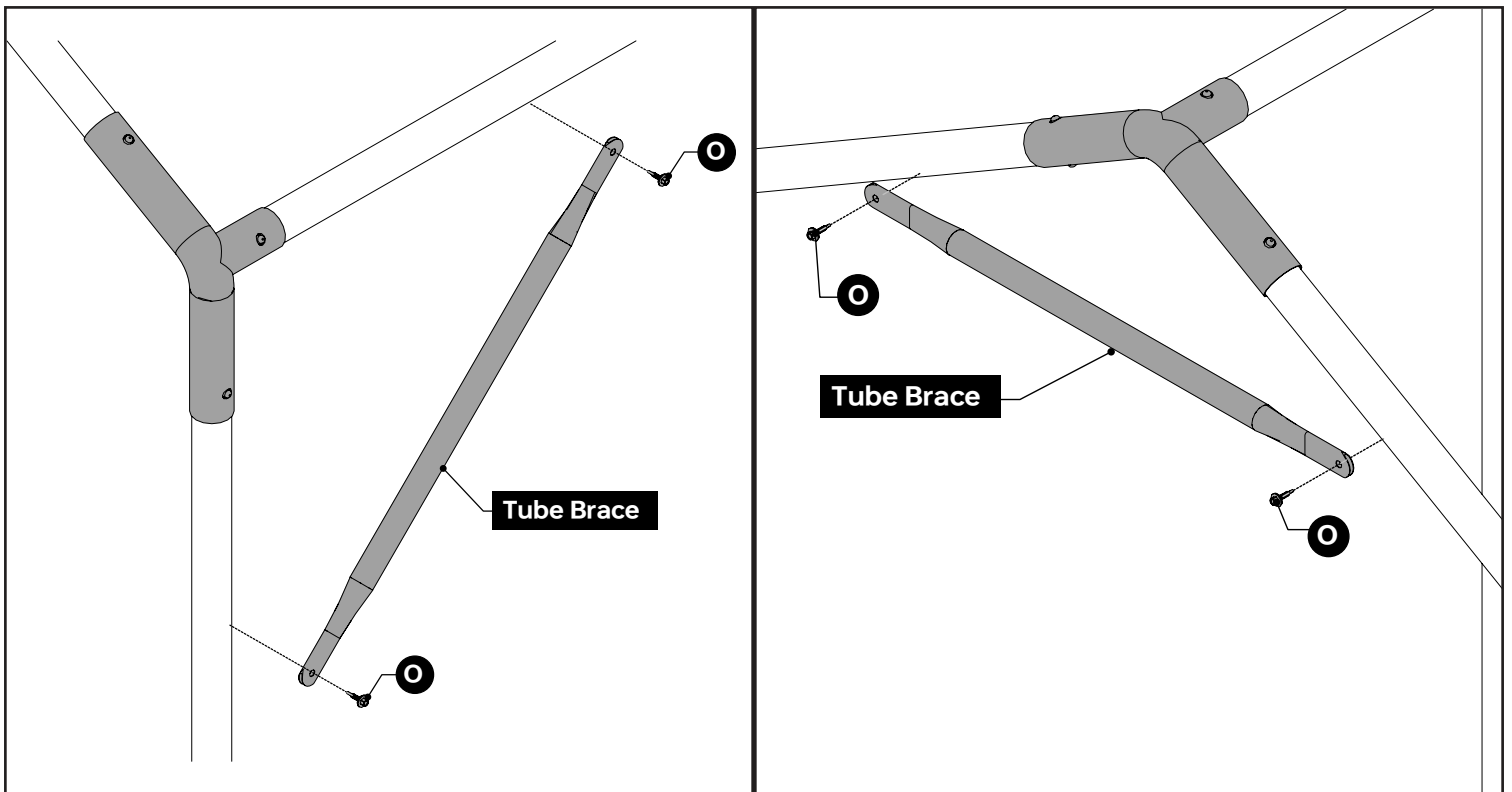
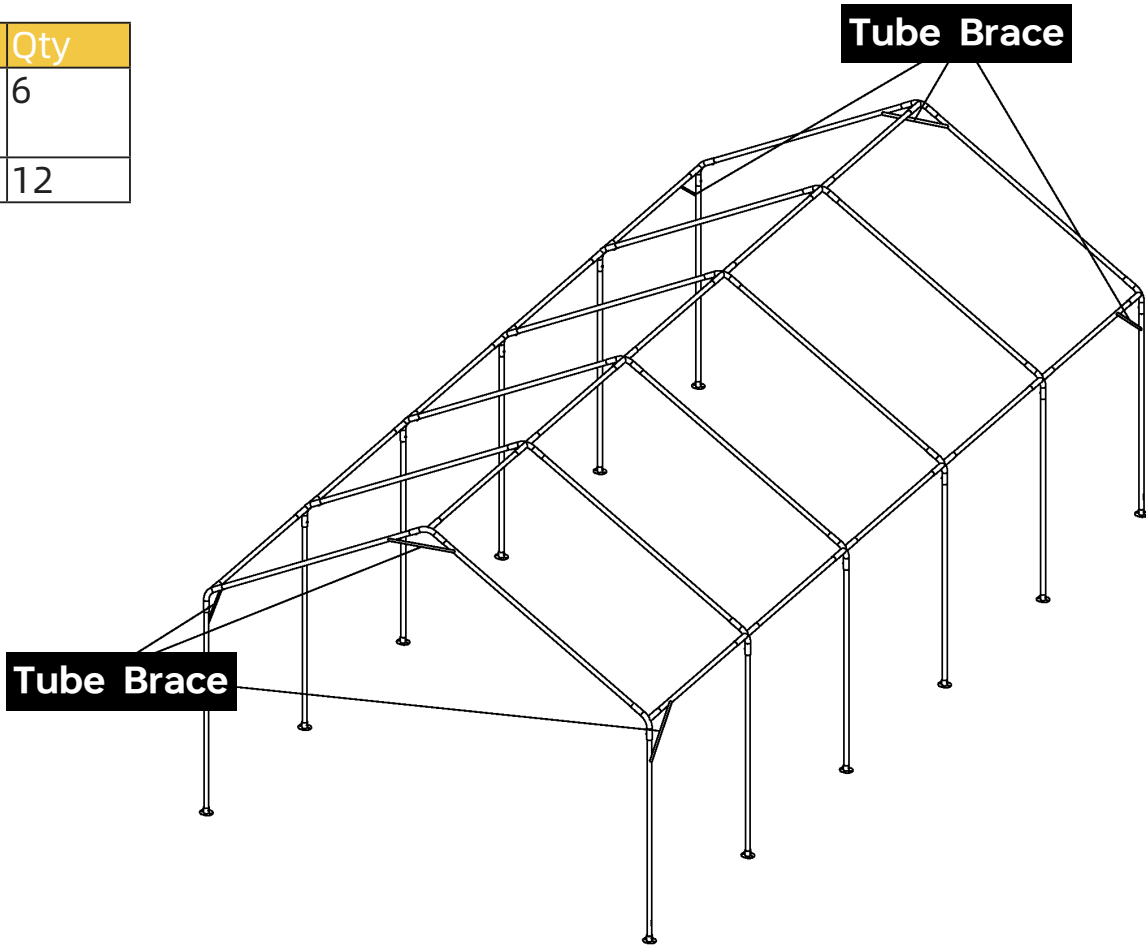


Note
Temporarily lay the frame down and attach C1+F and C2+F created in last step to the frame.
Make sure that C2 are placed at the front and back of the frame with the three holes facing outwards.



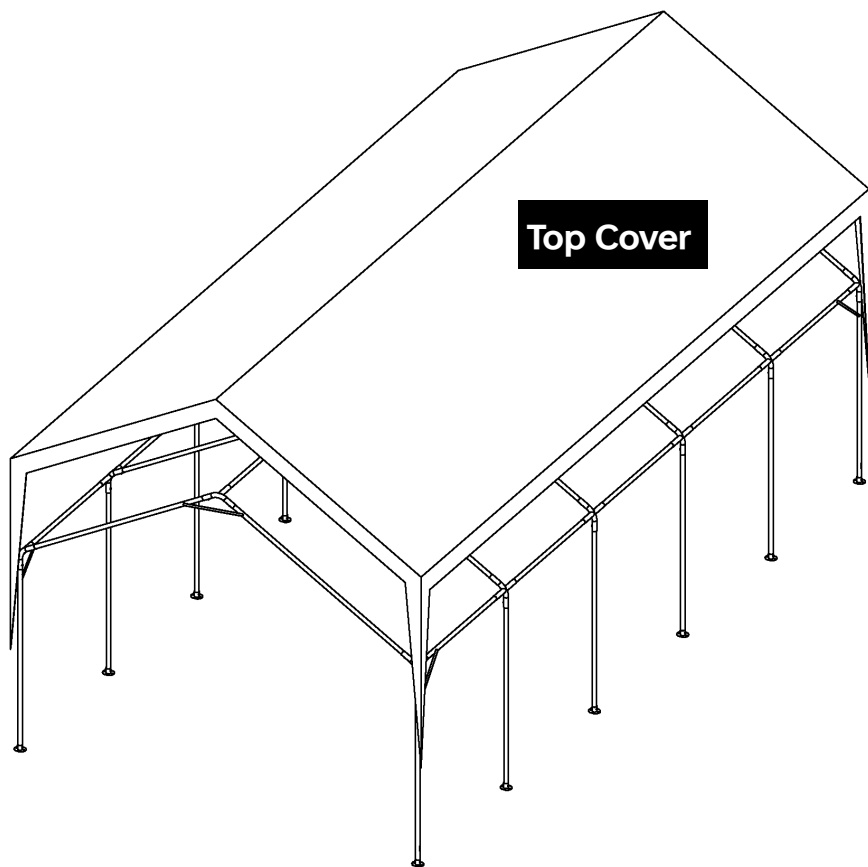
7 Optional Step

Part	Qty
Tube Brace	6
O	12



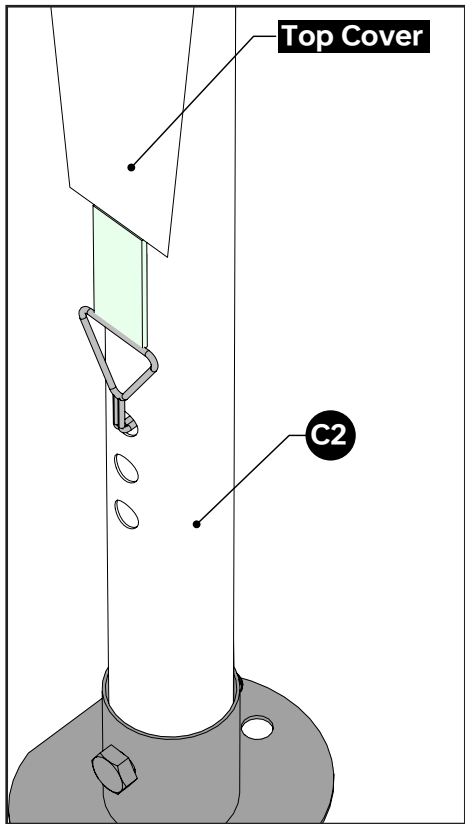
Note

This is an optional step. It's up to you to decide whether to use these Tube Braces to add the extra stability. You will need a power tool drive O into the tubes. Notice that you will not find predrilled holes on the tubes for O. Do not worry too much about pinpointing the exact location for tube braces. The location contributes little to the stability.

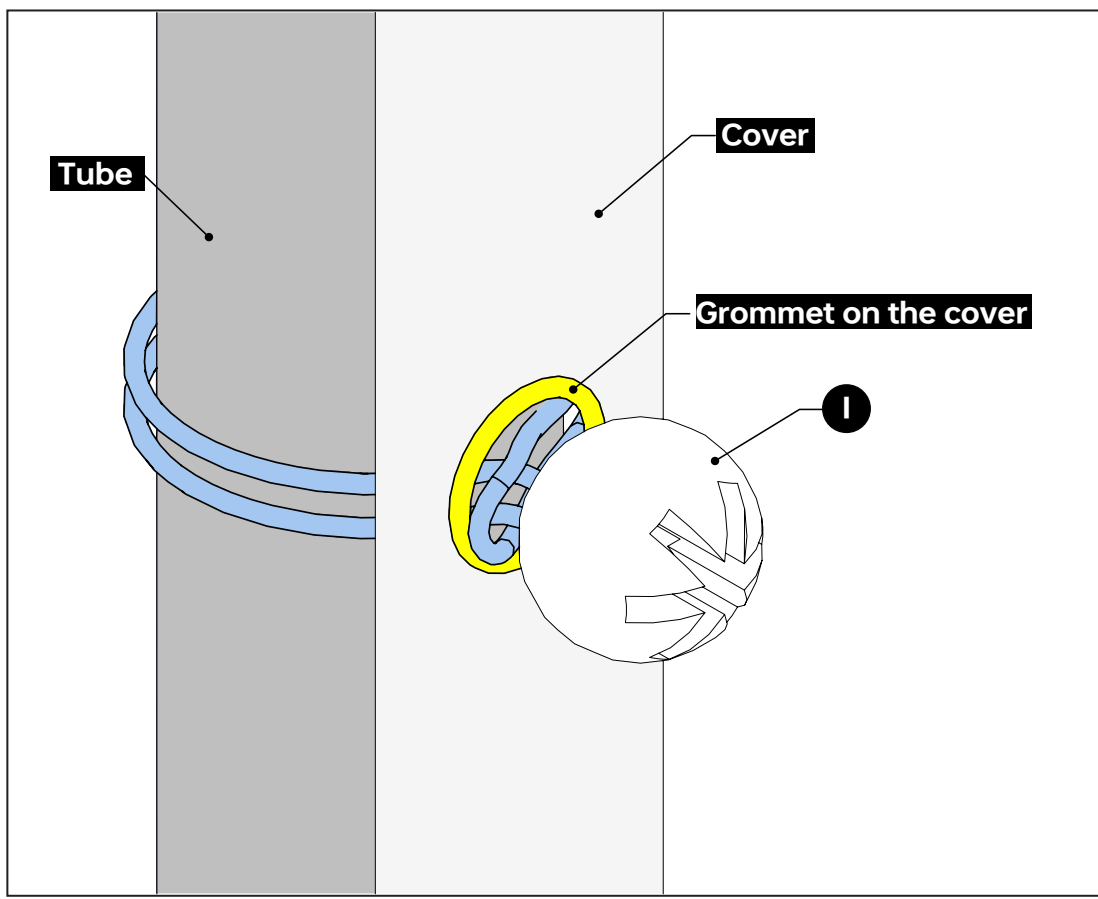
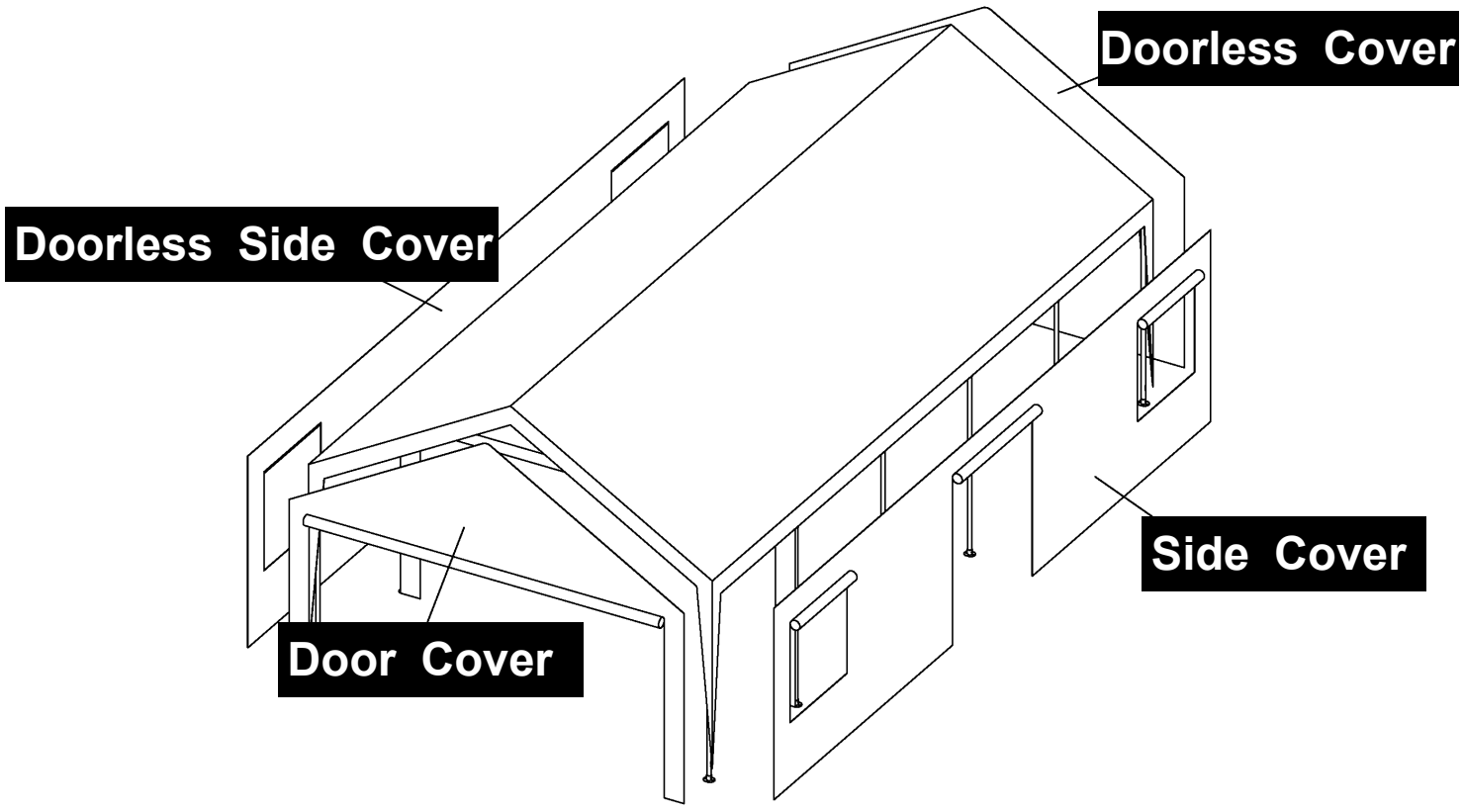


Part	Qty
Top Cover	1

Note
When pulling the top cover down onto the frames, depending on how you assemble the carport, you might find the cover too tight or loose. If it feels too tight, do not pull the four legs of the top cover. Instead, pull and drag the top part of the cover. This helps avoid tearing the cover.



Note
Find the hooks at the end of Top Cover's feet and place the hook inside the hole at the bottom of C2.



Part	Qty
Side Cover	1
Front Cover	2
Back Cover	1
Side Cover no door	1
I	120

Note
 Use bungee cord, Part No. I, to fasten the covers onto the tubes.
 On the eaves of the carport, where the grommet of Top Cover overlaps with the grommet of Side Cover, use one I with two grommets. On the legs of the carport, where the grommet of the top cover overlaps with the grommet of Door and Doorless Cover, use one I with two grommets.



Door Cover

Or

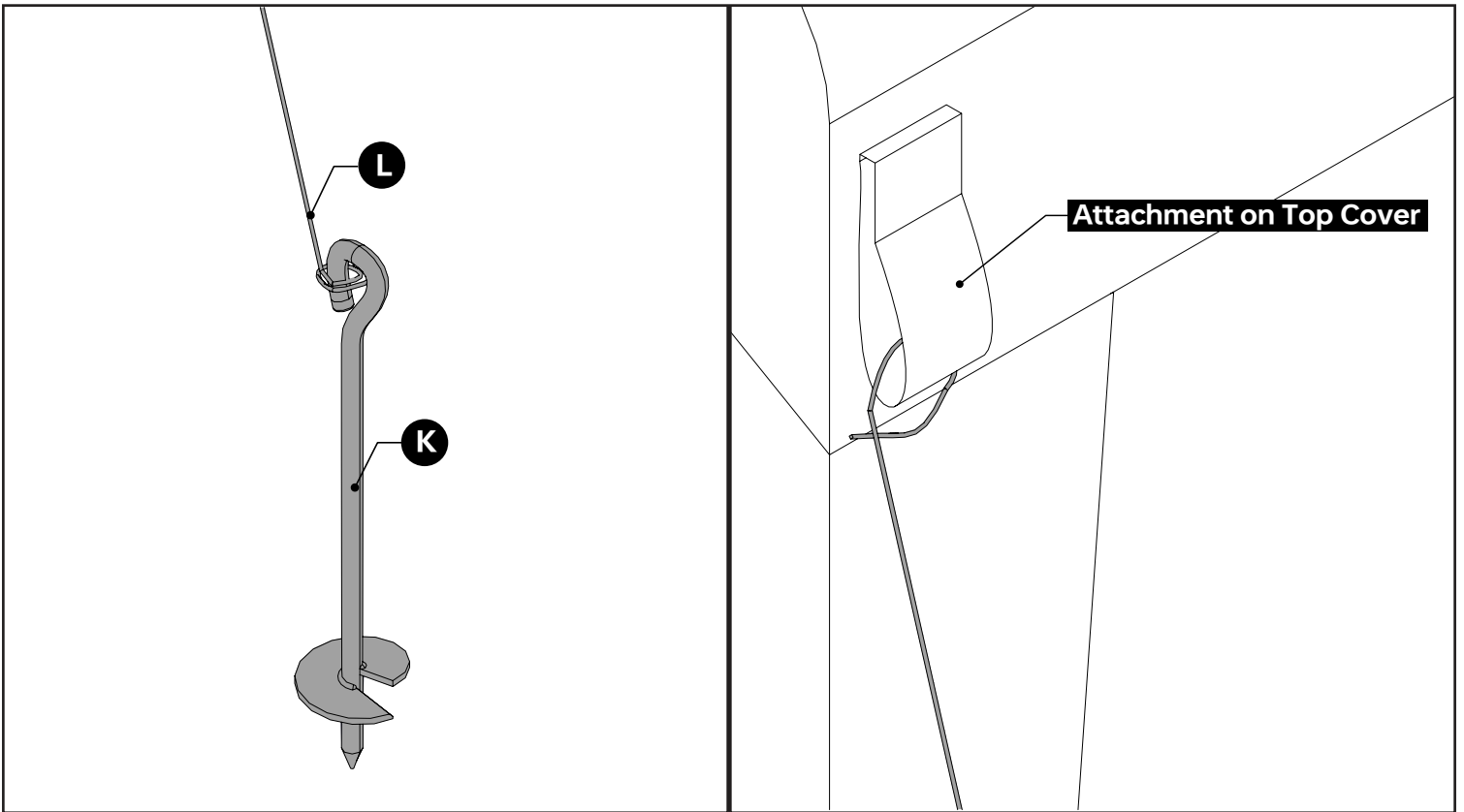
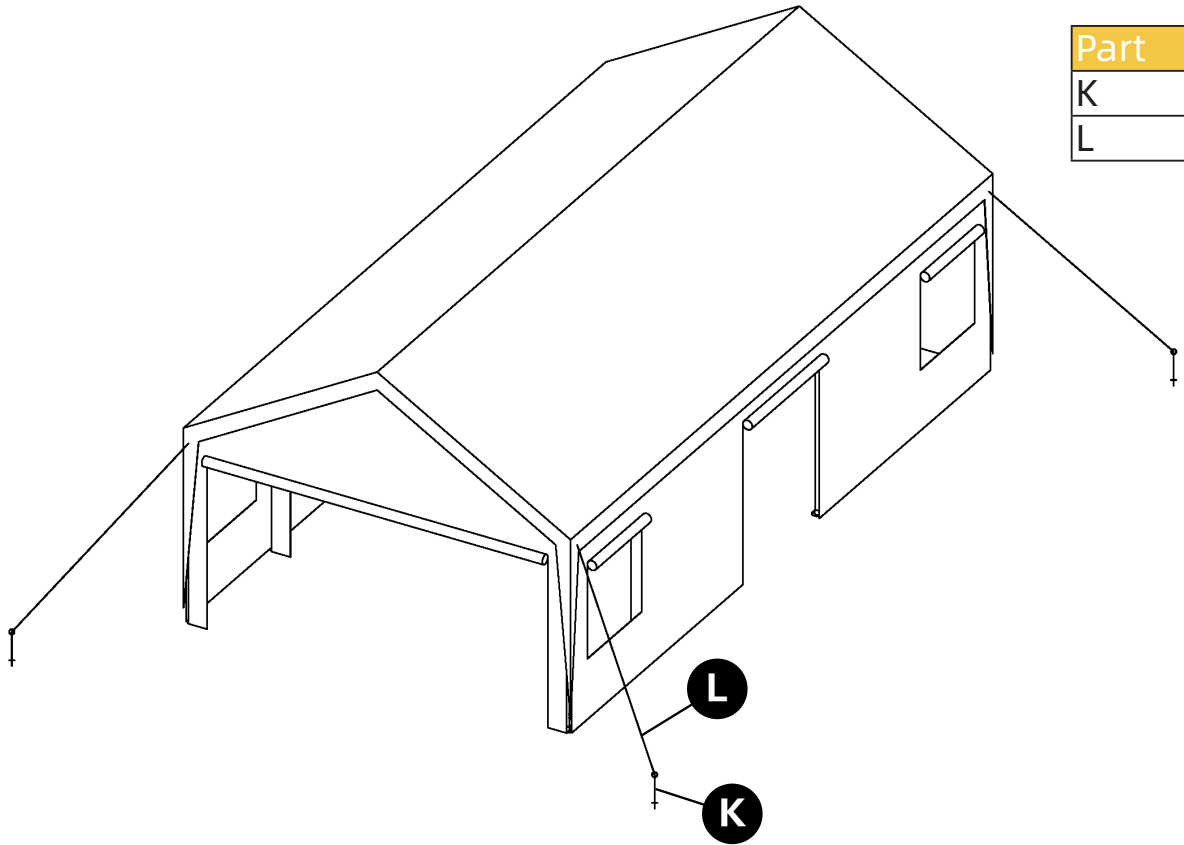


Doorless Cover

Note

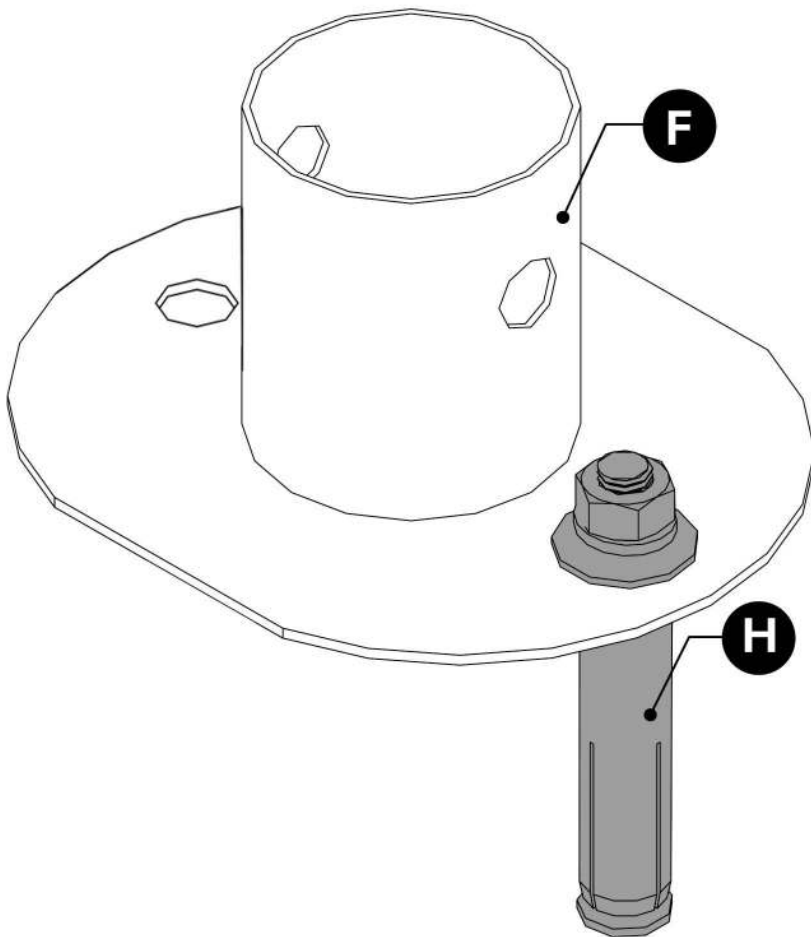
This carport has 2 door covers and 1 doorless cover. You can use one of these to get layout customization easily.

Part	Qty
K	4
L	4



11 Optional Step

Part	Qty
H	12



Note

If you prefer to secure the carport onto a concrete surface then use the concrete anchor H. Eight H are included. You can use one per F, or four on the front and four at the back. You will need a M12, or 1/2 inch drill bit to drill into the concrete a hole which is 5.1cm, or 2inch deep. Remove the carport when hammering the H_Bolt and H_Sleeve into the concrete.

Notice that once the Bolts and Sleeves are in, it is almost impossible to get them out. So plan where you want to use them carefully.

