

INSTALLATION INSTRUCTIONS

⚠ WARNING Before You Begin

Read these instructions completely and carefully.

- **IMPORTANT** - Save these instructions.
- **IMPORTANT** - Observe all governing codes and ordinances.

We recommend that two people install this product.

Proper installation is the responsibility of the installer.

Product failure due to improper installation is not covered under the Warranty.

You **MUST** use all supplied parts and use proper installation procedures as described in these instructions when installing this air conditioner.

Do not, under any circumstances, cut or remove the third (ground) prong from the power cord.

Do not change the plug on the power cord of the air conditioner.

Aluminum house wiring may present special problems - consult a qualified electrician.

When handling the unit, be careful to avoid cuts from sharp metal edges and aluminum fins on front and rear coils.

NOTICE

Save carton and these Installation Instructions for future reference. The carton is the best way to store the unit when not in use.

Window Requirements

Your air conditioner is designed to install in standard double hung windows with opening widths of 23" to 36" (584mm to 914mm).

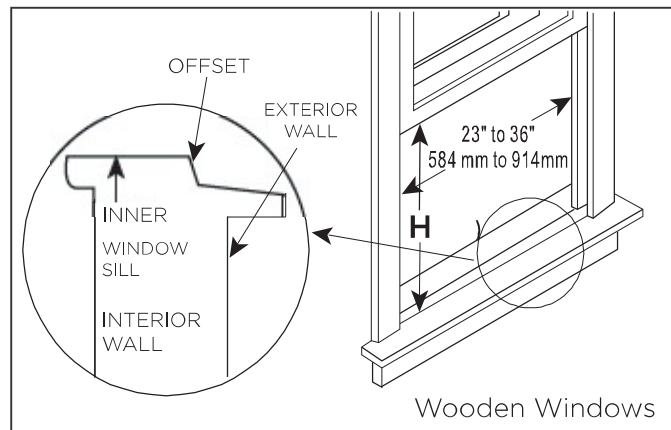
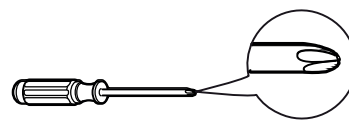


Table 1

Model	5000~6000 BTU/h	8000 BTU/h	10000~14500 BTU/h
H	13" (330mm)	14" (356mm)	15-1/2" (394mm)

Tools You Will Need



Phillips
Screwdriver



Level

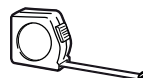
Tools You May Use



Flathead
Screwdriver



Pencil



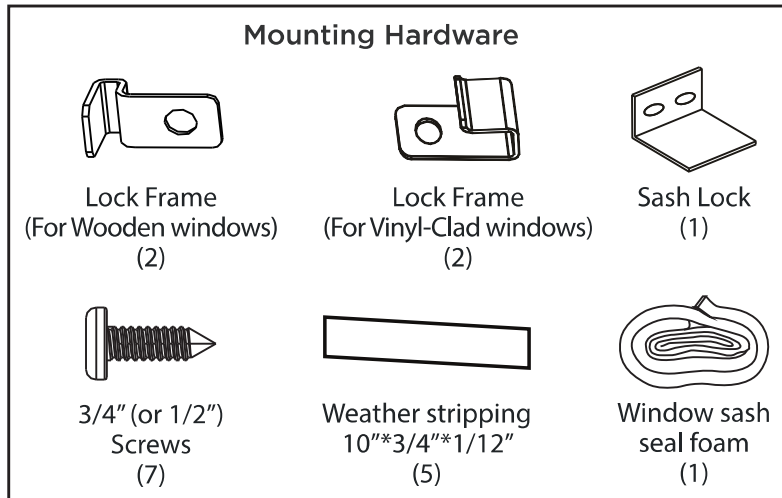
Ruler or tape measure



Scissors or knife

1. Prepare the Window

Lower sash must open sufficiently to allow a clear vertical opening (see dimension H in Table 1). Side louvers and the rear of the AC must have clear air space to allow enough airflow through the condenser for heat removal. The rear of the unit must be outdoors, not inside a building or garage.



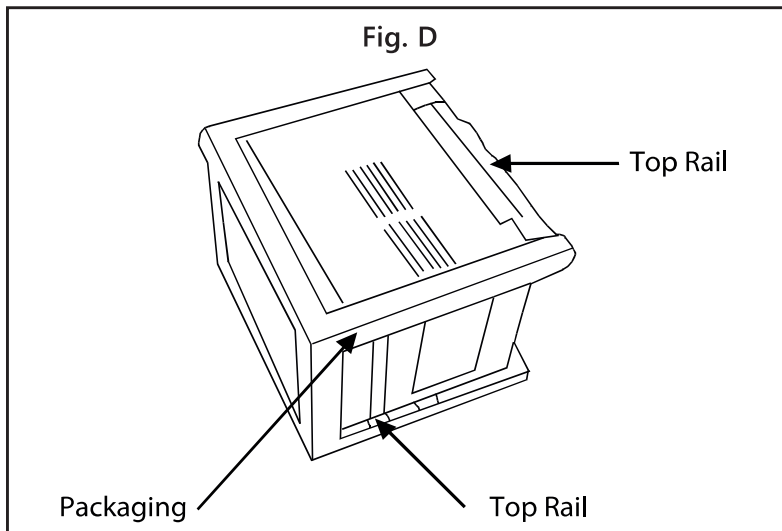
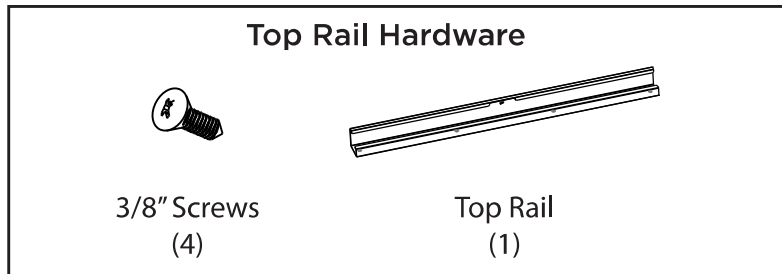
NOTICE

Weather stripping is only for WK08/10/12/15 models only.

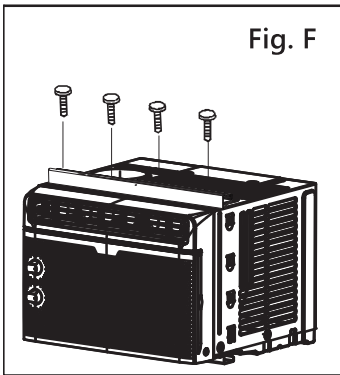
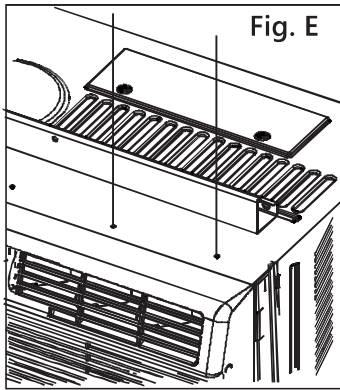
2. Prepare the Air Conditioner

Before installing the unit, the top rail must be assembled on the unit for some models with a capacity of less than 1000BTU/h.

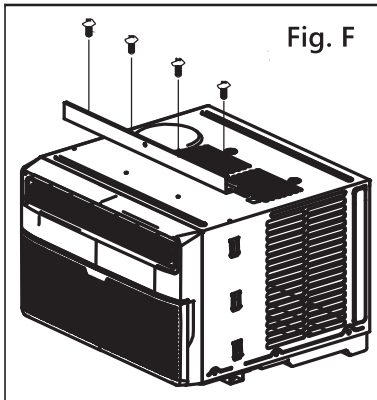
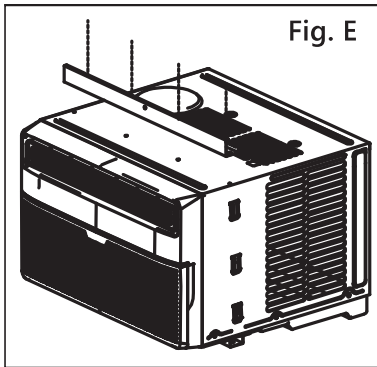
- A: Remove the air conditioner from the carton and place on a flat surface.
- B: Remove top rail from the packaging material as shown in Fig. D.



WK05/06 Models



WK08 Model



C. Align the hole in the top rail with those in the top of the unit as shown in Fig. E.

D. Secure the top rail to the unit with the 3/8" Screws as shown in Fig. F.

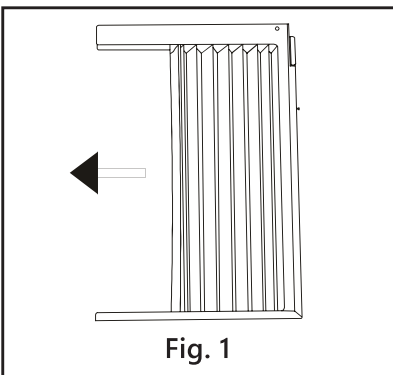
CAUTION

For safety reasons, all four (4) screws **MUST** be securely fastened.

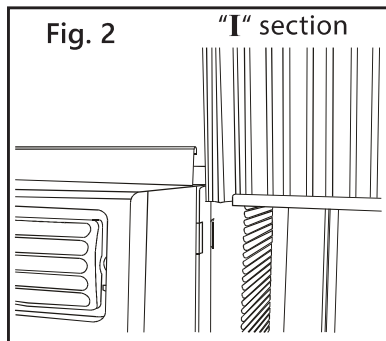
3. Install Accordion Panels on Air Conditioner

NOTICE

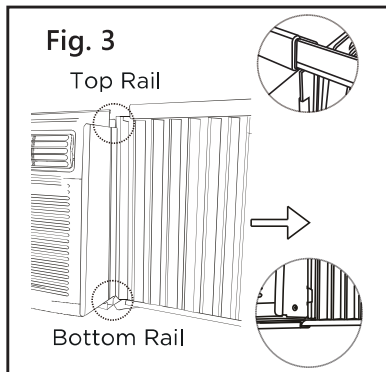
The Top rail and Sliding Panels on each side are offset to provide the proper pitch to the rear of the unit (5/16"). This is necessary for proper condensate management and drainage. If you are not using the Side Panels for any reason, this pitch to the rear must be maintained.



A. Place unit on the floor, a bench or a table. Hold the Accordion Panel in one hand and gently pull back the center to free the open end. See Fig. 1.

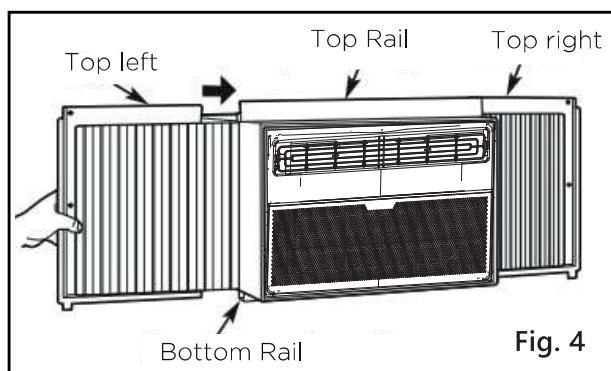


B. Slide the free end "I" section of the panel directly into the cabinet as shown in Fig. 2. Slide the panel down. Be sure to leave enough space to slip the top and bottom of the frame into the rails on the cabinet.



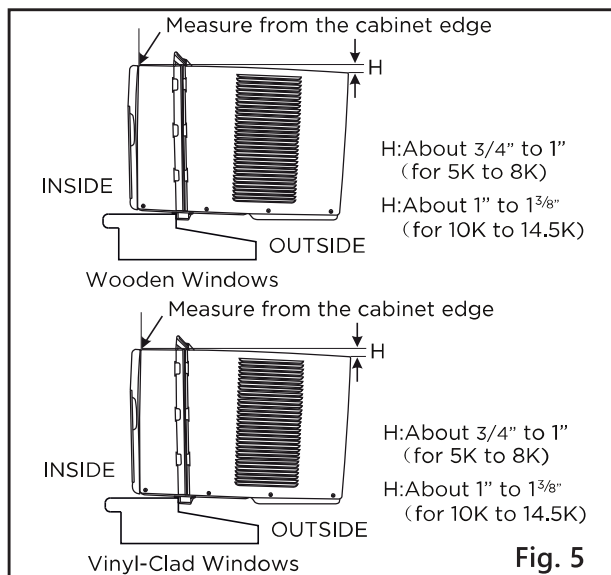
C. Once the panel has been installed on the side of the cabinet, make sure it sits securely inside the frame channel by making slight adjustments.

Slide the top and bottom ends of the frame into the top and bottom rails of the cabinet. Fig. 3.



D. Slide the panel all the way in and repeat on the other side.

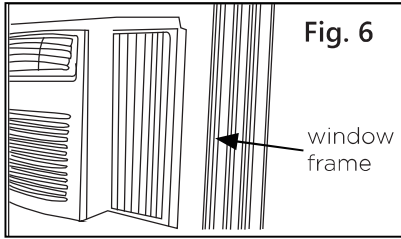
4. Install Air Conditioner



A. Keep a firm grip on the air conditioner, carefully place the unit into the window opening so the bottom of the air conditioner frame is against the window sill (Fig. 5). Carefully close the window behind the top rail of the unit.

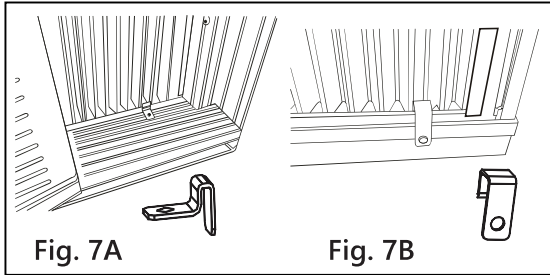
NOTICE

Check that air conditioner is tilted back per dimension H (Fig. 5) (tilted about 3° to 4° downward to the outside). After proper installation, condensate should not drain from the overflow drain hole during normal use. Adjust the slope if otherwise.

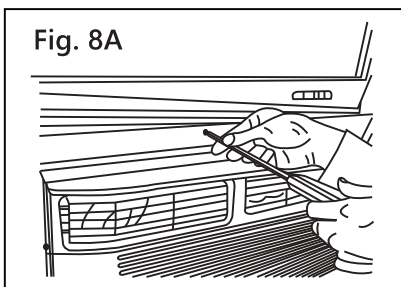


B. Extend the side panels out against the window frame (Fig. 6).

5. Secure Air Conditioner



A. Place the frame lock between the frame extensions and the window sill as shown (Fig. 7A for Wooden windows), (Fig. 7B for Vinyl-Clad windows). Drive 3/4" (19 mm) or 1/2" (12.7 mm) locking screws through the frame lock and into the sill.

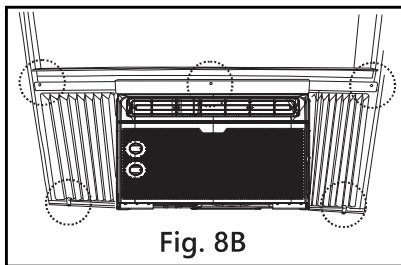


B1: For wooden windows:

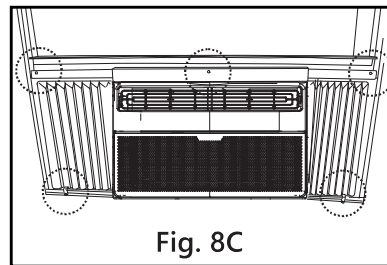
Drive 1/2" (12.7 mm) locking screws through the top rail and into the window sash (Fig. 8A).

NOTE: To prevent window sill from splitting, drill 1/8" (3mm) pilot holes before driving screws. Drive 1/2" (12.7mm) locking screws through frame holes into window sash (Fig. 8B/8C).

RAC-WK05/06 only



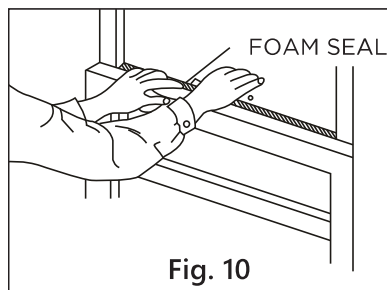
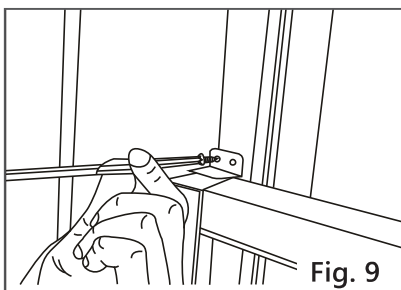
Models WK08/10/12/15



B2: For Vinyl-Clad windows:

Drive 1/2" (12.7 mm) locking screws through the top rail and into the window sash (Fig. 8B/8C).

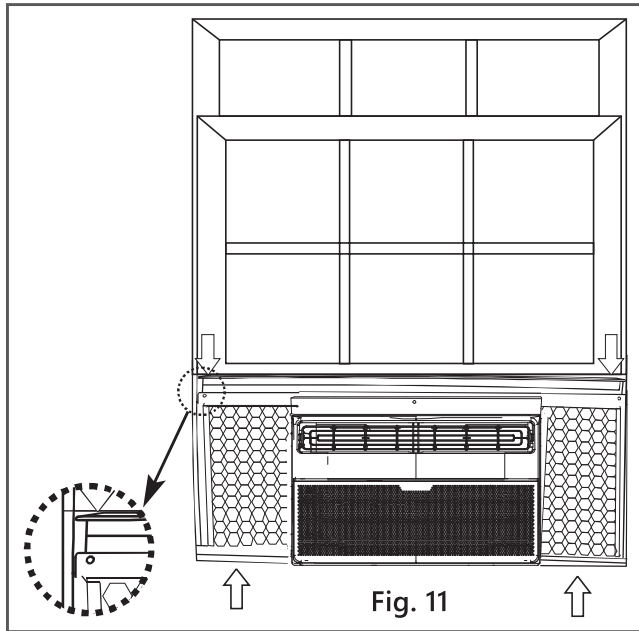
NOTE: Before driving the screws, drill 5 holes into the window through the holes of the top rail and side panel frames as shown (Fig. 8B/8C).



C. Secure lower sash in place by attaching the sash lock with the 3/4" (19 mm) or 1/2" (12.7 mm) screw as shown (Fig. 9).

D. Cut Window sash seal foam and insert it in the space between the upper and lower sashes (Fig. 10).

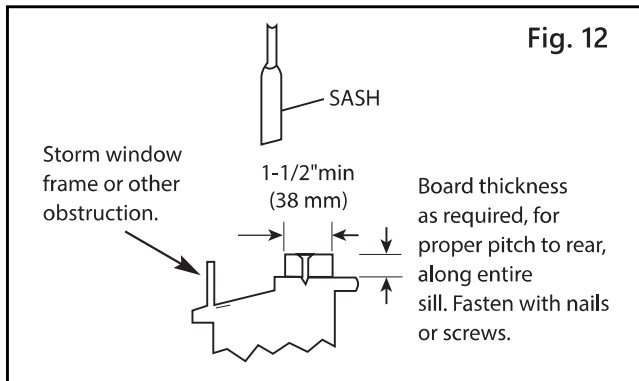
6. Install Weather Stripping (8-15K models only)



In order to minimize air leaks between the room air conditioner and the window opening, trim the weather stripping to the proper length, peel off the protective backing and plug any gaps if needed (Fig. 11).

If AC is Blocked by Storm Window

Models RAC-WK05/06/08/10/12 /15



Add wood as shown in Fig. 12, or remove storm window before air conditioner is installed.

If storm window frame must remain, be sure the drain holes or slots are not caulked or painted shut. Accumulated rain water or condensation must be allowed to drain out.

Removing AC From Window

- Turn AC off, and disconnect power cord.
- Remove sash seal from between windows, and unscrew sash lock.
- Remove screws installed through top rail and side panel frames.
- Slide the accordion panels into the rails to close.
- Keeping a firm grip on the air conditioner, raise the sash and carefully remove.
- Be careful not to spill any condensate while lifting unit from window. Store parts WITH air conditioner.