

G6 DIRECT DRIVE

RACING WHEEL WITH PEDALS BUNDLE

| **6Nm** | **16Bit** | **13inch** | **Quick** | **Hall** | **Brake** |
Peak Torque Resolution D-Shaped Release Sensor Dampening
Design Technology Adjustment

Assembly & User Manual

組裝&使用手冊

組裝&使用說明

G6 Direct Driver Racing Wheel with Pedals Bundle Assembly&User Manual

■ Product Introduction

The G6 Direct Drive Racing Wheel is designed for the PC platform, providing an authentic racing experience. Equipped with powerful direct drive force feedback technology, it enhances immersion in gameplay. Combined with a three-pedal set and optional gear shifter support, it is suitable for various racing games.

■ Product Features

- Direct Drive Force Feedback: 6Nm servo motor delivers a realistic driving feel.
- PC Platform Support: Compatible with Windows 7/10/11.
- Multifunctional Buttons: 12 function buttons + 2 thumb rotary knobs + 5-way joystick.
- Interchangeable Steering Wheel Rims: Quick-release design supports multiple rim options.
- Hall Effect Sensor Paddle Shifters: High sensitivity and long lifespan.
- Metal Three-Pedal Set: Includes clutch, brake, and accelerator pedals.

■ Package Contents

Item	Component Specification	Pcs
1	G6 Direct Drive Base	1
2	G6 Steering Wheel	1
3	G6 Footrest	1
4	G6 Accelerator Pedal	1
5	G6 Brake Pedal	1
6	G6 Clutch Pedal	1
7	Desk Clamp (for Base)	1
8	Wall Power Adapter (24V/3A)	1
9	US Plug Adapter	1
10	UK Plug Adapter	1
11	EU Plug Adapter	1
12	AU Plug Adapter	1
13	Edge Protector 12.5 mm (for Paddle)	1

Item	Data Cable Pack	Pcs
1	USB Type A to C Data Cable (1.8M)	1
2	6P4C Pedal Data Cable (9cm)	2
3	USB Type B to C Data Cable (1.8M)	1

Base Screw Pack (Green Label)



M6*12mm Screws (for Base Mounting) x6



M5*8mm Screws (for Desk Clamp) x10



4*25*65mm Hex Wrench (for Desk Clamp) x1

Pedal Screw Pack (Blue Label)



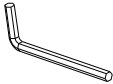
M4*10mm Screws (for Footrest) x12



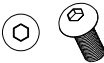
2.5*20*83mm Hex Wrench (for Footrest) x1



M6*15mm Screws (Lock the Frame) x5



5*30*80mm Hex Wrench (Lock the Frame) x1



M8*15mm Screws (Lock the Frame) x3



M8*6.4mm Nut (Lock the Frame) x3



M6, M8 Nut Wrench (Lock the Frame) x1



Cable Clip (for Pedal Cable) x2

Backup Pack (Black Label)



Silencers (for Paddle Shifters) x4



M2*51*17mm Hex Wrench (for Paddle Shifters) x1

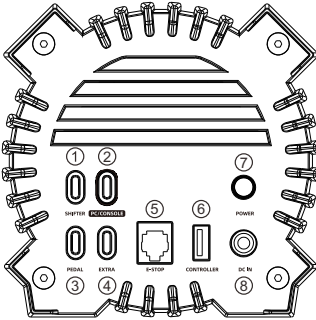


M6*50mm Screws x2



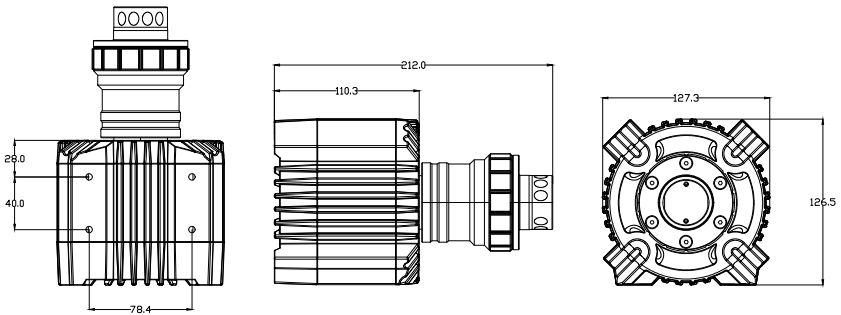
M6*3.6mm Nut x5

■ Base Interface Overview



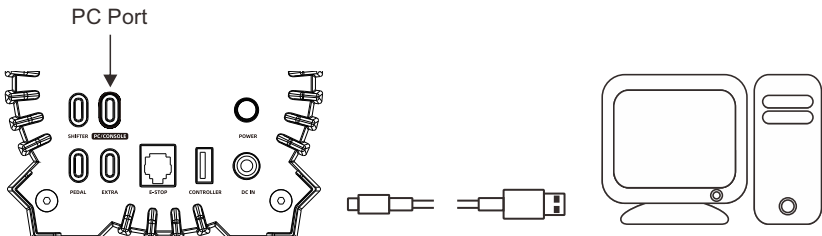
1. Shifter Port (SHIFTER)
2. PC/Console Port (PC / CONSOLE)
3. Pedal Port (PEDAL)
4. Reserved Extra Port (EXTRA)
5. Emergency Stop Port (E-STOP)
6. Controller Port (CONTROLLER)
7. Power Switch (POWER)
8. Power Input (DC IN)

■ Basic Parameters

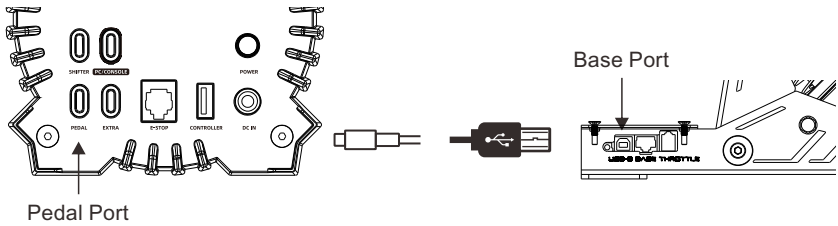


■ Installation Guide

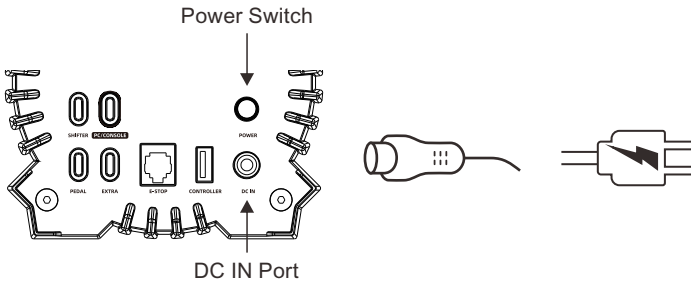
1. Fix the base to the bracket through the 2-4 screw holes on the bottom of the base.
2. Insert the Type-A to C end of USB cable into PC and corresponding ports on the rear of the base.



3. Insert the Type-B to C end of USB cable into pedal and corresponding ports on the rear of the base.



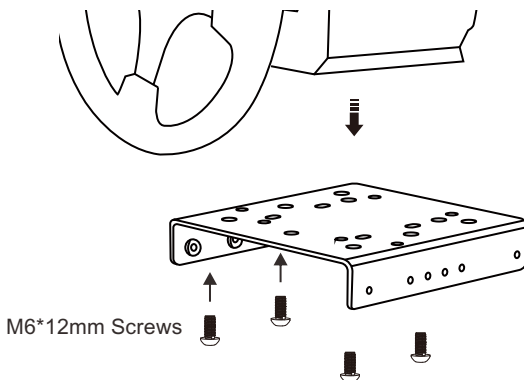
4. Finally plug in the power cable and short press the power button to power on the base.



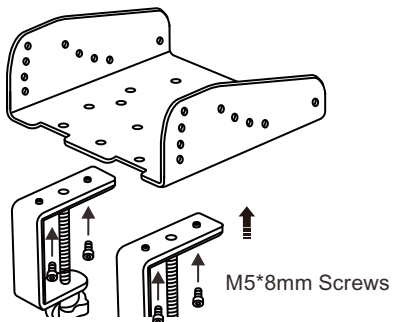
5. Navigate to Thermaltake (www.thermaltake.com) and download the latest version of the Thermaltake Racing Control Software. Install it and start your racing journey!

■ Desk Clamp Installation Guide

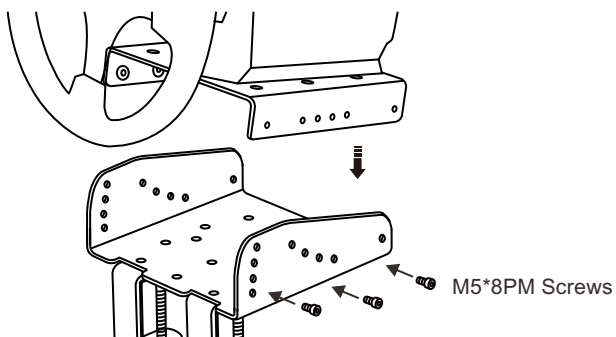
1. Install the upper part of the clamp onto the base.



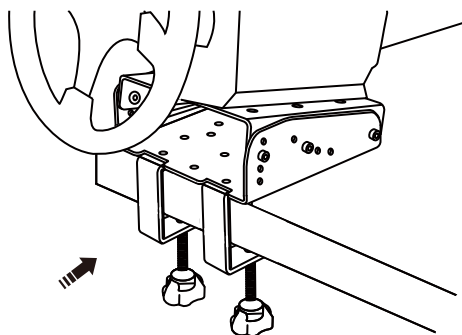
2. Attach the lower part of the clamp.



3. Combine the upper and lower clamp components.

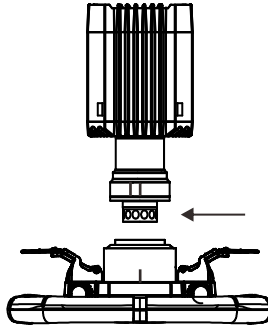


4. Tighten the knob securely to fix it onto the desk.

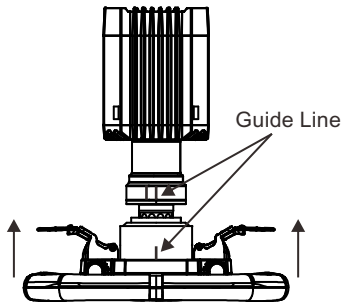


■ Quick Release Instructions

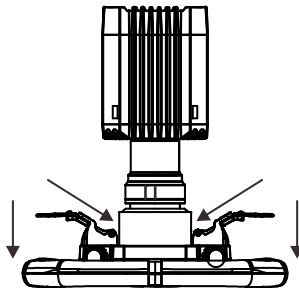
1. Align the 10 steel balls on the steering wheel with the 10 grooves on the wheelbase.



2. Press the wheel into the wheelbase, keeping the guide line with each other.
3. The quick release will automatically snap into place, locking the wheel to the base. If the quick release does not lock, try rotating the panel on the base to its default position, and try again until it locks correctly.



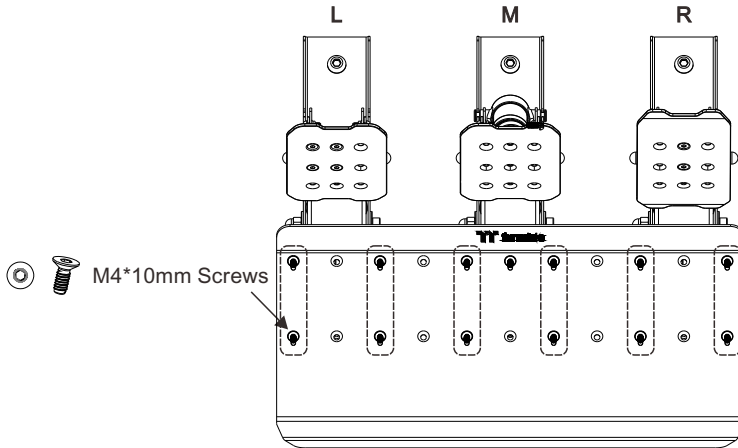
4. To remove the wheel from the base, simply use two hands to pull back on the outer ring (black color) and pull the wheel out at the same time.



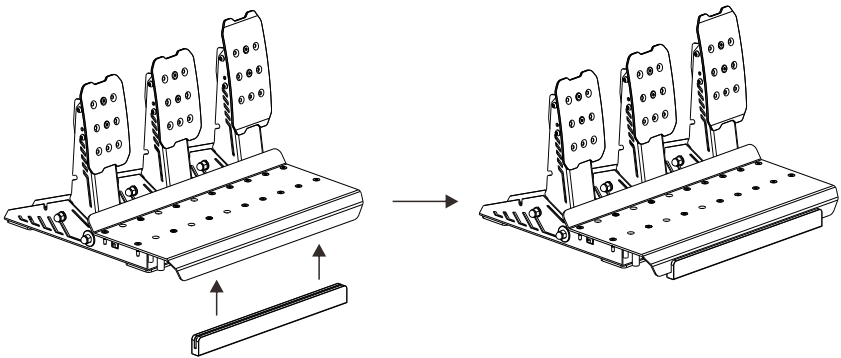
5. Navigate to Thermaltake (www.thermaltake.com) and download the latest version of the Thermaltake Racing Control Software. Install it and start your racing journey!

■ Pedal Installation Process

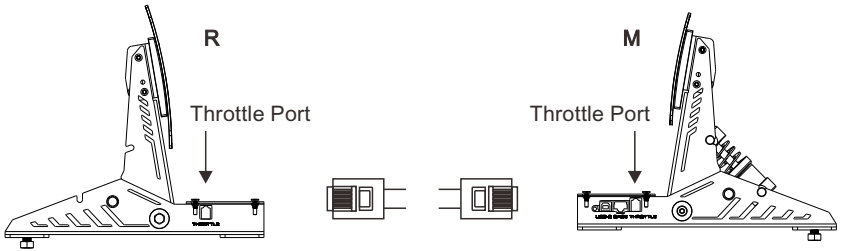
1. Arrange the clutch (L), brake (M), and throttle (R) pedals from left to right. Install the pedals onto the included footrest using the mounting holes, adjust the appropriate spacing between the pedals, and secure them using the corresponding screws.



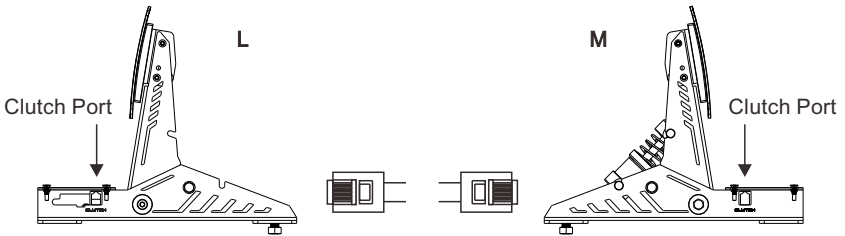
NOTE: Use either the pre-installed 12.5 mm edge protectors when using the pedals on a floor as shown below.



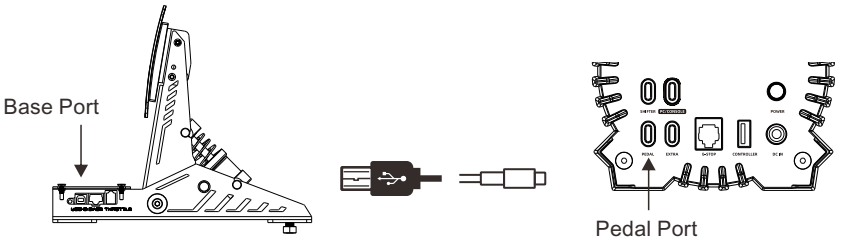
2. Take the RJ11 6P4C connector cable and connect the THROTTLE port on the brake pedal to the THROTTLE port on the throttle pedal.



3. Take the RJ11 6P4C connector cable and connect the CLUTCH port on the brake pedal to the CLUTCH port on the clutch pedal.



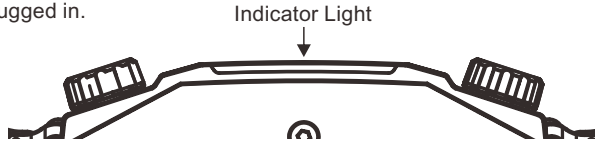
4. Finally, Insert the Type-B to C end of USB cable into pedal and corresponding ports on the rear of the base.



5. Navigate to Thermaltake (www.thermaltake.com) and download the latest version of the Thermaltake Racing Control Software. Install it and start your racing journey!

■ Troubleshooting

1. If the indicator light on the steering wheel does not turn on after it is installed onto the base, please remove and reinstall it. Also check whether the base's power is properly connected and turned on, or check if the USB cable connected to the PC is securely plugged in.

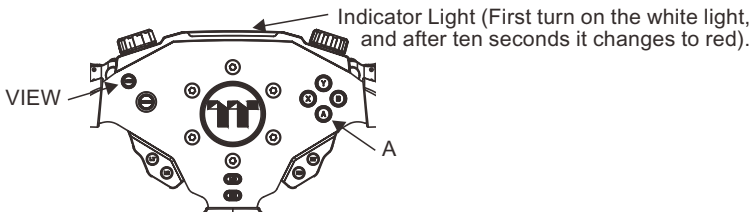


2. If the steering wheel is unresponsive and the computer screen is frozen, it may have crashed. Please restart your computer.
3. If the steering wheel or pedals become unresponsive during gameplay, please exit the game, unplug and replug the USB cable on the base, and then re-enter the game.

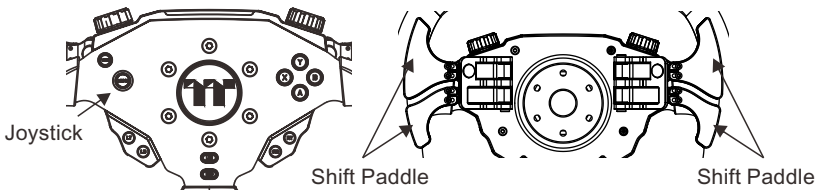
4. If the joystick or shift paddles on the steering wheel are not working or behave abnormally, please enter calibration mode to configure them.

Calibration Steps :

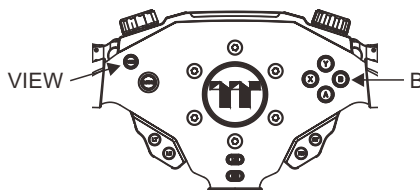
- a. Press and hold the A + VIEW buttons for 3 seconds to enter calibration mode (the wheel indicator lights will start flashing alternately left and right).



- b. Move the joystick in all four directions and press each shift paddle twice.



- c. Finally, press and hold the B + VIEW buttons for 1 second to complete calibration.



5. When installing the base and pedal set into the Thermaltake racing simulator cockpit, please visit (<https://www.youtube.com/@Thermaltakereview>) to view the latest assembly video.

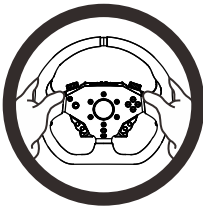
■ Warnings

Power Safety Warnings:

- Use appropriate force when connecting, installing, or removing the product; do not twist or pull cables.
- Do not spill any liquid on the product or its ports.
- Keep the product in a dry place; do not expose it to fire, humidity, high temperatures, or oil fumes.
- Use only the power adapter provided with the base; do not use any other power cables.
- Do not use the product if cables or ports are damaged, cracked, or broken.
- Ensure the power cable is correctly inserted into the power adapter and securely connected to the base.
- Do not attempt to disassemble, modify, or repair the product yourself. Repairs must be performed by the manufacturer, authorized representatives, or qualified technicians.
- Use only manufacturer-specified accessories and attachments.
- If the product emits unusual sounds, heat, or odors, stop use immediately, unplug the power cable, and disconnect other connections.
- If the product will not be used for an extended period, unplug it from the power outlet.

Force Feedback and Repetitive Motion Warning:

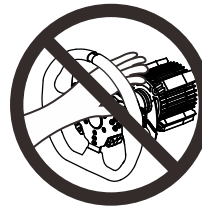
- Avoid prolonged gaming sessions.
- Take a 10 to 15-minute break after every hour of use.
- If you experience fatigue, pain, or discomfort in your hands, wrists, arms, legs, or feet, stop playing and rest for several hours before resuming.
- If symptoms persist after resuming, stop playing and consult a doctor.
- Keep the product out of reach of children.
- Ensure the racing wheel base and steering wheel are properly secured as instructed.
- Maintain a correct hand position on the wheel during gameplay.



Always keep



Absolutely
forbidden



Absolutely
forbidden

- Do not place hands or fingers under or near the pedals during use.
- Do not put hands or arms through the steering wheel openings during calibration or gameplay.
- This product is intended for users aged 16 and older.

Base Ventilation Warning: To ensure optimal ventilation:

- Do not block any ventilation holes on the base.
- Maintain at least 10 cm of space between the base and any walls.
- Do not place the base in an enclosed space.
- Do not cover the base.
- Avoid dust accumulation in the ventilation holes.

Base Temperature Warning:

- If the motor temperature exceeds 60°C due to ventilation, environment, or usage factors, the base will automatically reduce power output.
- If the motor temperature exceeds 70°C, the base will shut down automatically.
- Do not touch any part of the motor if the base reduces power output or shuts down due to high temperature.

G6賽車模擬器說明書-繁中版

■ 產品簡介

G6 直驅方向盤專為 PC 平台設計，提供真實的賽車駕駛體驗。配備強力直驅力回饋技術，使操作更具沉浸感。搭配三腳踏板與可外接掛檔桿，適合各類競速遊戲。

■ 產品特色

- 直驅力回饋技術：6Nm 伺服電機，提供真實駕駛感。
- 支援 PC 平台：適用 Windows 7/10/11。
- 多功能按鍵：12顆功能按鍵 + 2顆姆指旋鈕 + 1個五向搖桿。
- 可更換方向盤面盤：採用快拆設計，支援多款盤面。
- 霍爾感應換檔撥片：靈敏度高，壽命長。
- 金屬三踏板：包含離合器、煞車、油門。

■ 內容物

項目	配件規格	數量
1	G6 直驅基座	1
2	G6 方向盤	1
3	G6 休息板	1
4	G6 油門踏板	1
5	G6 煞車踏板	1
6	G6 離合器踏板	1
7	桌面夾具 (基座用)	1
8	插牆式電源適配器 (24V / 3A)	1
9	美規轉接頭	1
10	英規轉接頭	1
11	歐規轉接頭	1
12	澳規轉接頭	1
13	12.5 mm 邊緣保護墊 (踏板用)	1

項目	數據線材包	數量
1	USB Type A to C 數據線 (1.8M)	1
2	踏板數據線6P4C (9cm)	2
3	USB Type B to C 數據線 (1.8M)	1

基座螺絲包 (綠色標籤)



M6*12mm 螺絲 (基座固定用) x6



M5*8mm 螺絲 (夾具用) x10



4*25*65mm 內六角扳手 (鎖夾具用) x1

踏板螺絲包 (藍色標籤)



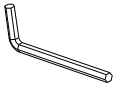
M4*10mm 螺絲 (鎖休息板用) x12



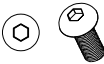
2.5*20*83mm 內六角扳手 (鎖休息板用) x1



M6*15mm 螺絲 (鎖到車架用) x5



5*30*80mm 內六角扳手 (鎖到車架用) x1



M8*15mm 螺絲 (鎖到車架用) x3



M8*6.4mm 螺帽 (鎖到車架用) x3



M6, M8 Nut 螺帽扳手 (鎖到車架用) x1



線卡扣 (踏板理線用) x2

備用包 (黑色標籤)



消音片 (撥片消音用) x4



M2*51*17mm 內六角扳手 (調整撥片用) x1

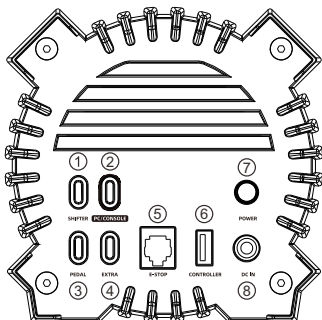


M6*50mm 螺絲 x2



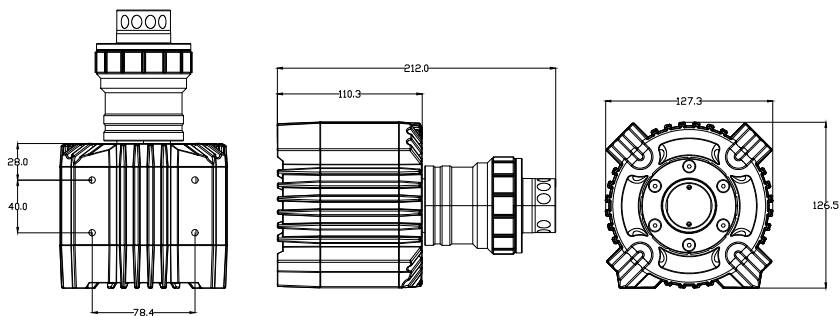
M6*3.6mm 螺帽 x5

■ 基座接口介紹



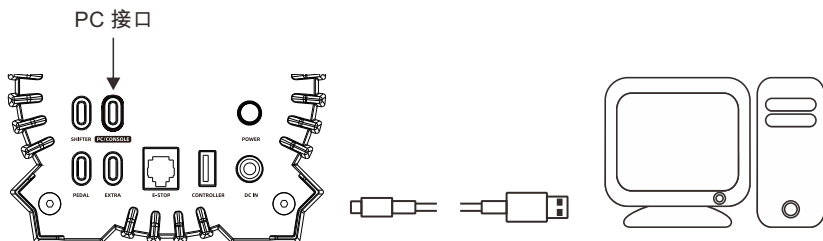
1. 排檔器接口 (SHIFTER)
2. 電腦接口 (PC / CONSOLE)
3. 踏板接口 (PEDAL)
4. 其它預留接口 (EXTRA)
5. 緊急停止接口 (E-STOP)
6. 控制器接口 (CONTROLLER)
7. 電源開關 (POWER)
8. 電源接口 (DC IN)

■ 基本參數

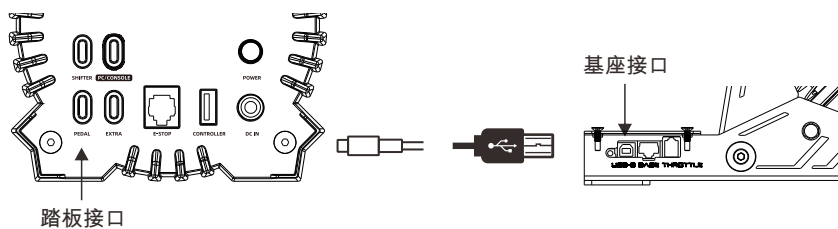


■ 基座安裝教程

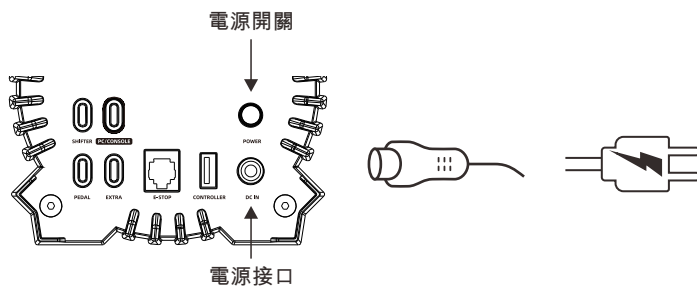
1. 將基座通過底部 2~4 個螺絲孔固定到模擬器支架上。
2. 插入 USB Type A 到 C 數據線並連接到 PC 上。



3. 插入 USB Type C 到 B 數據線並連接到踏板上。



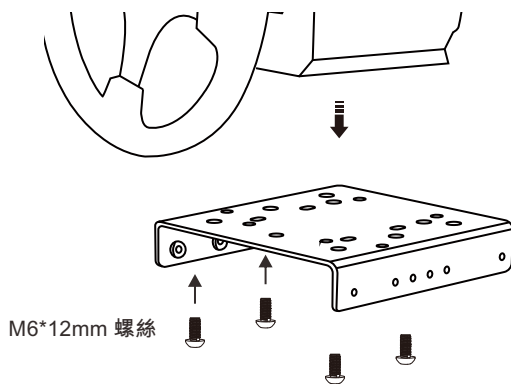
4. 最後插入電源線並短按電源開機鍵。



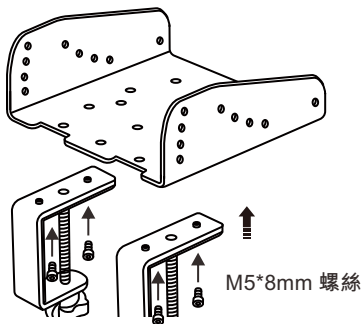
5. 於 Thermaltake 官網 (www.thermaltake.com) 下載最新版本的 Thermaltake Racing Control 軟體並安裝，即可開啟您的賽車之旅。

■ 桌面夾具安裝教程

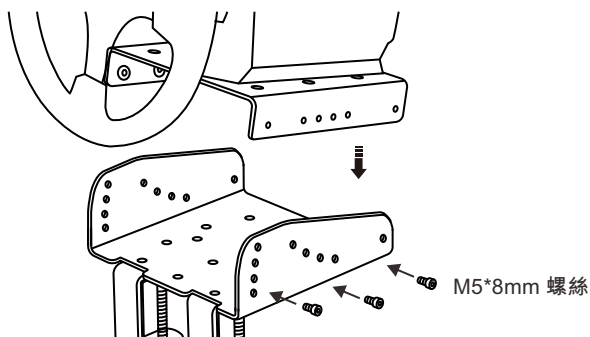
1. 通過基座底部 4 個螺絲孔固定到夾具上半部。



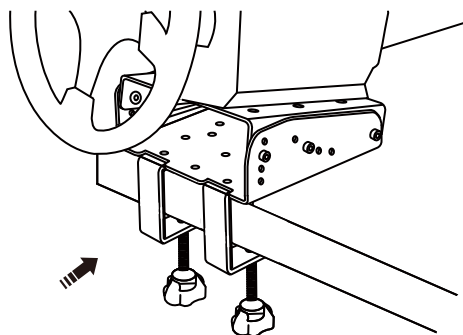
2. 通過夾具下半部 4 個螺絲孔固定到桌面夾具上。



3. 將上下夾具結合。

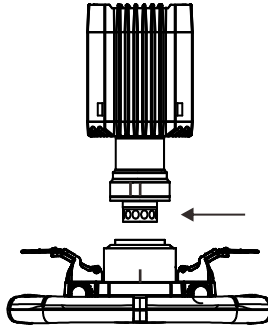


4. 確實擰緊旋鈕使其固定於桌面上。



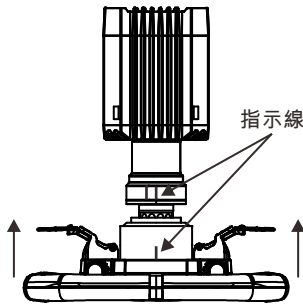
■ 方向盤快拆安裝教程

1. 將方向盤快拆母頭上10顆鋼珠的位置應基座快拆公頭的10個凹槽。

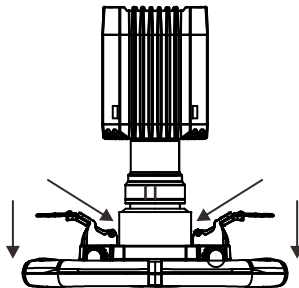


2. 確認安裝指示線與之對齊，將盤面往基座方按壓。

3. 快拆將自動歸位鎖緊，若無鎖緊，可嘗試輕微轉動盤面或取下後再安裝。



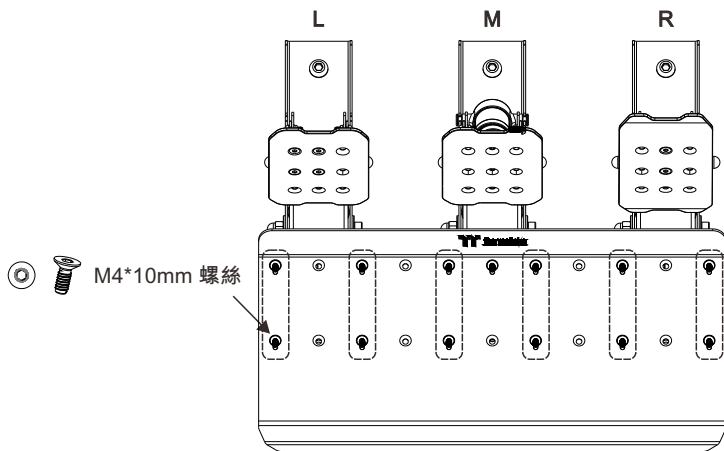
4. 如需拆卸盤面，用雙手捏住黑色快拆部分向後壓，同時並拔出盤面。



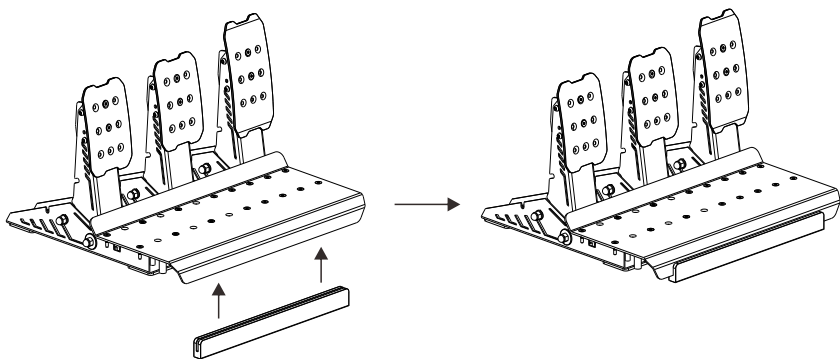
5. 於 Thermaltake 官網 (www.thermaltake.com) 下載最新版本的 Thermaltake Racing Control 軟體並安裝，即可開啟您的賽車之旅。

■ 踏板組裝教程

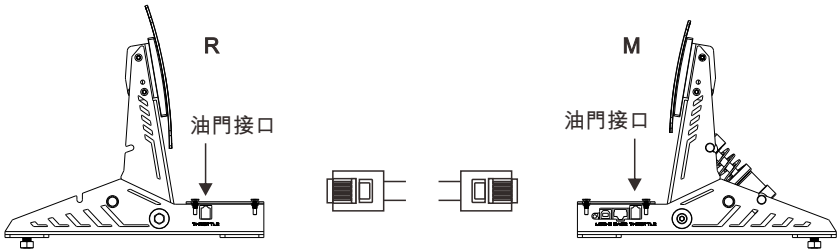
1. 將離合器(L)、煞車(M)、油門(R) 踏板由左至右排列，取出休息板，調整適當的踏板間距與使用對應的螺絲來鎖固。



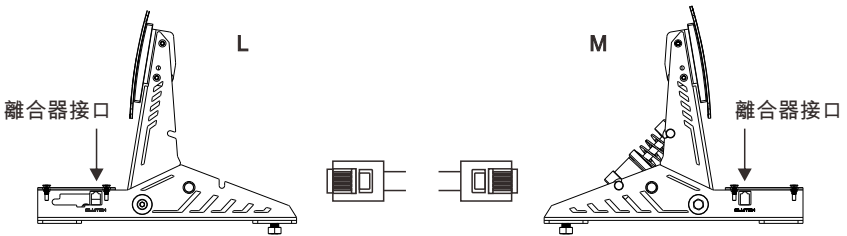
注意：如需要在地板上使用踏板時，請先安裝 12.5 mm 邊緣保護墊，如下圖所示。



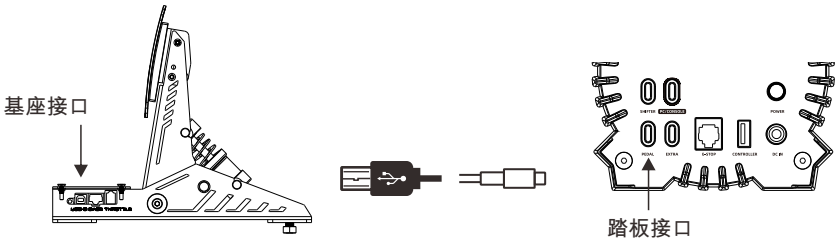
2. 取出 RJ11 6P4C 水晶頭線材將煞車踏板的 THROTTLE 孔接到油門的 THROTTLE 孔。



3. 取出 RJ11 6P4C 水晶頭線材將煞車踏板的 CLUTCH 孔接到離合器的 CLUTCH 孔。



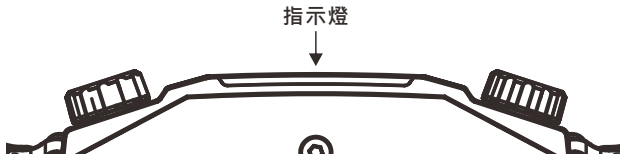
4. 最後插入 USB Type C to B 數據線並連接到踏板上。



5. 於 Thermaltake 官網 (www.thermaltake.com) 下載最新版本的 Thermaltake Racing Control 軟體並安裝，即可開啟您的賽車之旅。

■ 疑難排除

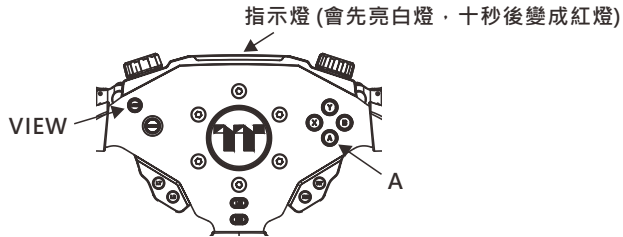
1. 當方向盤安裝到基座上，盤面指示燈不亮時請取下重新安裝一次，並檢查基座電源是否連接良好與開機起動，或檢查連接到PC上的 USB 線是否有接緊。



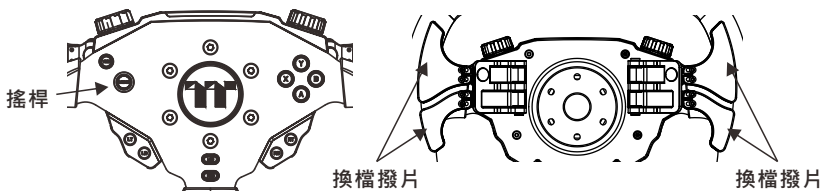
2. 當方向盤沒反應，電腦畫面不動，可能意外死機，請重新啟動電腦。
3. 當方向盤或踏板在遊戲中操作失靈時，請先退出遊戲並重新插拔基座上的 USB 線後再次進入遊戲。
4. 當方向盤上的搖桿與換檔撥片無功能或異常時，請進入校準模式做設定。

校準方式：

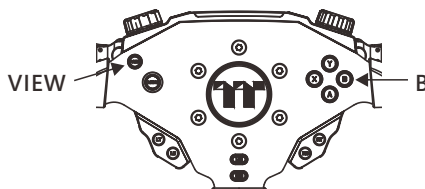
- a. 同時長按 A + VIEW鍵 3秒，進入模式 (盤面燈轉變為左右交替閃爍)。



- b. 上下左右移動搖桿與分別按下換檔撥片各兩次。



- c. 最後同時長按 B + VIEW鍵 1秒後完成校準。



5. 當基座與踏板組裝於 Thermaltake 賽車模擬艙時，請到 <https://www.youtube.com/@Thermaltakereview> 網站查看最新的組裝影片。

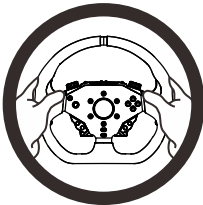
■ 警語

電源安全警告：

- 連接、安裝和移除本產品時，請注意適當用力，請勿扭曲或拉扯介面和線。
- 請勿將任何液體濺到產品或其介面上。
- 請將本產品置於乾燥處，請勿將其投入火中以及暴露於潮濕、高溫、油煙等環境下。
- 請使用隨基座提供的電源線，切勿使用除此之外的其他電源線。
- 若電纜或其介面損壞、開裂或破損，請勿使用。
- 確保電源線正確插入電源轉接器插座，並正確連接到基座背面的介面。
- 請勿自行分拆、改裝及修理。任何維修必須由製造商、其授權代表或合格技術人員進行。
- 只能使用製造商指定的附著系統或配件。
- 如果本產品出現任何異常聲音、發熱或氣味，請立即停止使用，將電源線從電源插座上拔掉並斷開其他電纜。
- 若長時間不使用本產品，請電源插座斷開電源線，電源插座必須位於設備附近，且必須方便插拔電源線。

力回饋和重複動作可能造成傷害，為避免發生意外，請參考使用建議：

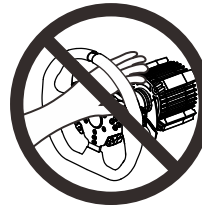
- 避免遊戲時間過長。
- 使用本產品每一小時後應休息10到15分鐘。
- 如果感覺手、腕、手臂、腿或腳出現任何疲勞或疼痛，請停止遊戲並休息幾個小時，然後再重新開始遊戲。
- 重新開始遊戲之後，如果症狀或疼痛持續存在，請停止遊戲並諮詢醫生。
- 請放在兒童接觸不到的地方。
- 確保賽車方向盤基座和麵盤按照本手冊的說明完成固定。
- 雙手手勢：在遊戲過程中，要隨時保持雙手在方向盤處於正確位置，而不是隨意放置。



始終保持



絕對禁止



絕對禁止

- 在遊戲過程中，切勿將手或手指放在踏板下方或靠近踏板的任何位置。
- 在校準和遊戲過程中，切勿將手或手臂穿過方向盤的開口。

*本產品只能由年滿 16 歲或以上的使用者操作。

基座通風散熱警告：

確保未阻塞基座上的任何通氣孔。為了實現最佳通風，請確保您已做到以下幾點：

- 基座與任何牆面至少保持10cm 的距離。
- 請勿將基座置於任何狹窄空間。
- 請勿遮蓋基座。
- 請避免灰塵在通氣孔中堆積。

基座溫度警告：

- 因通風、環境、使用等因素導致的馬達溫度過高（60℃或以上）時，基座馬達將自動降低輸出功率。
- 因通風、環境、使用等因素導致的馬達溫度過高（70℃或以上）時，基座馬達將自動斷電。
- 因溫度過高導致基座馬達降低輸出功率或斷電時，請勿觸碰馬達的任何部位。

