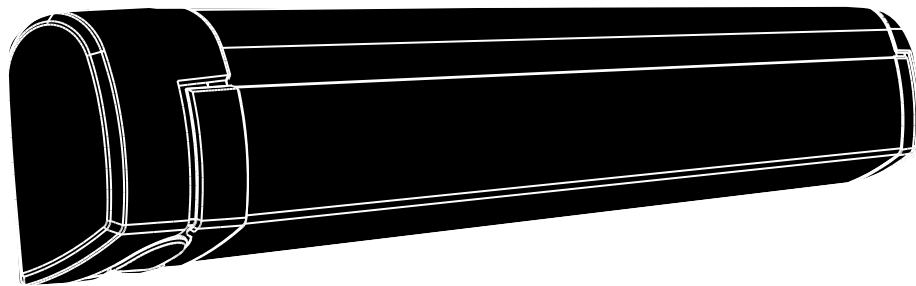




**Thule CROWN
5200 TH 12V**

> Instructions



Manufactured for  **LIPPERT**
COMPONENTS®

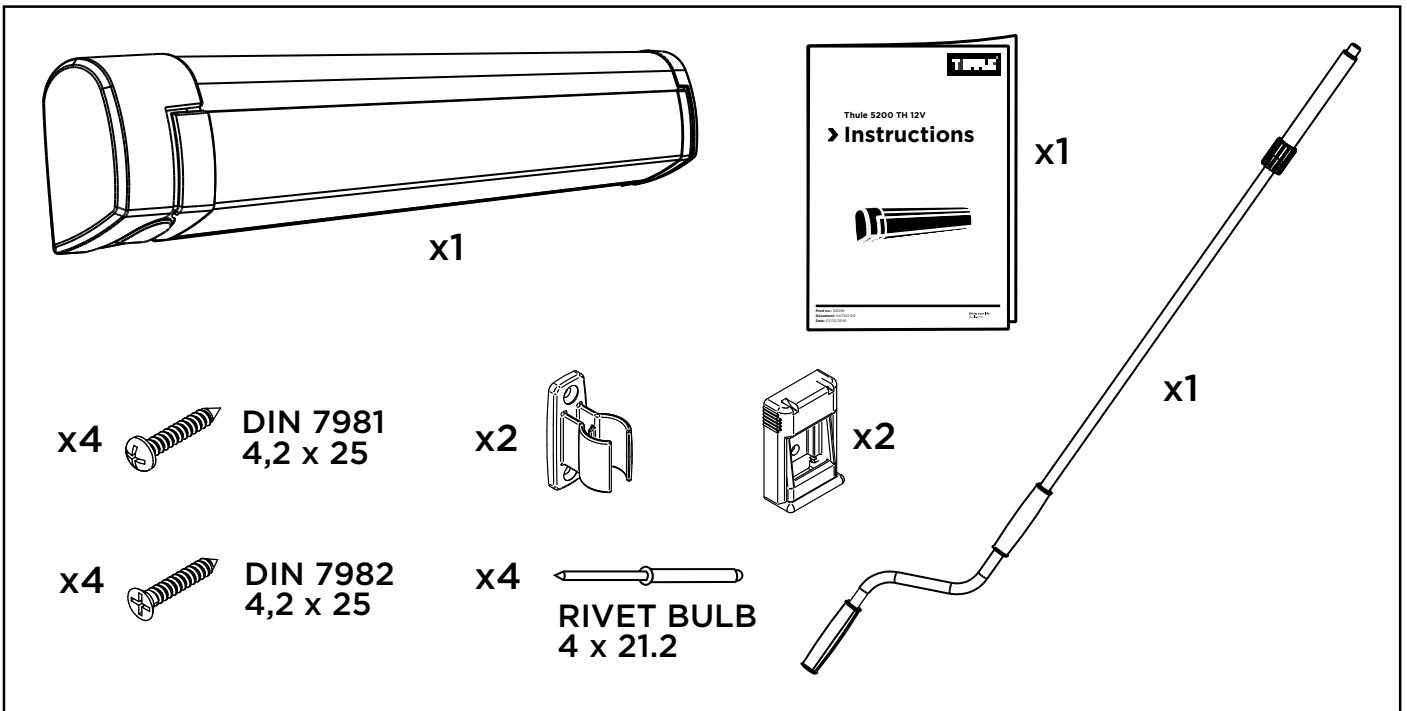
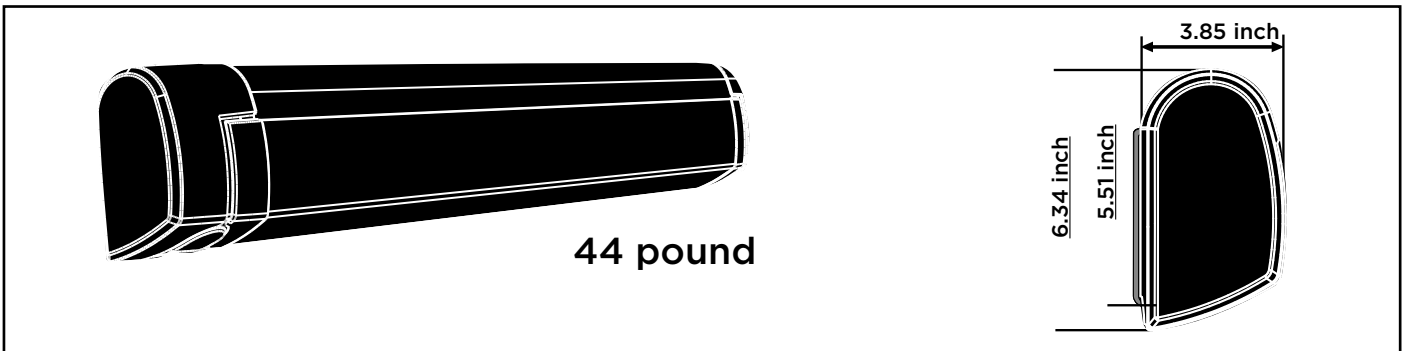
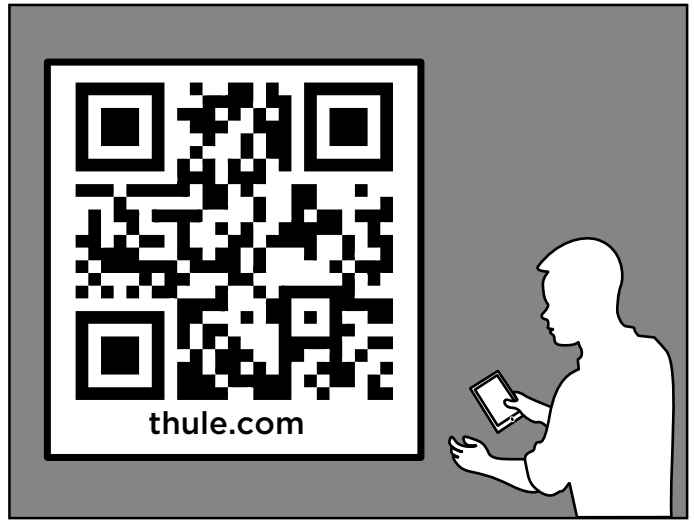
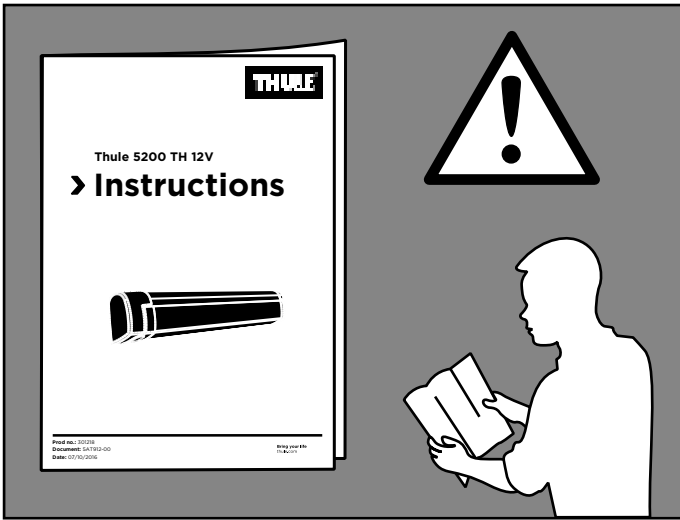
Prod no.: 301218

Document: 5AT912-01 | 3380043400

Date: 07/12/2016

Bring your life
thule.com



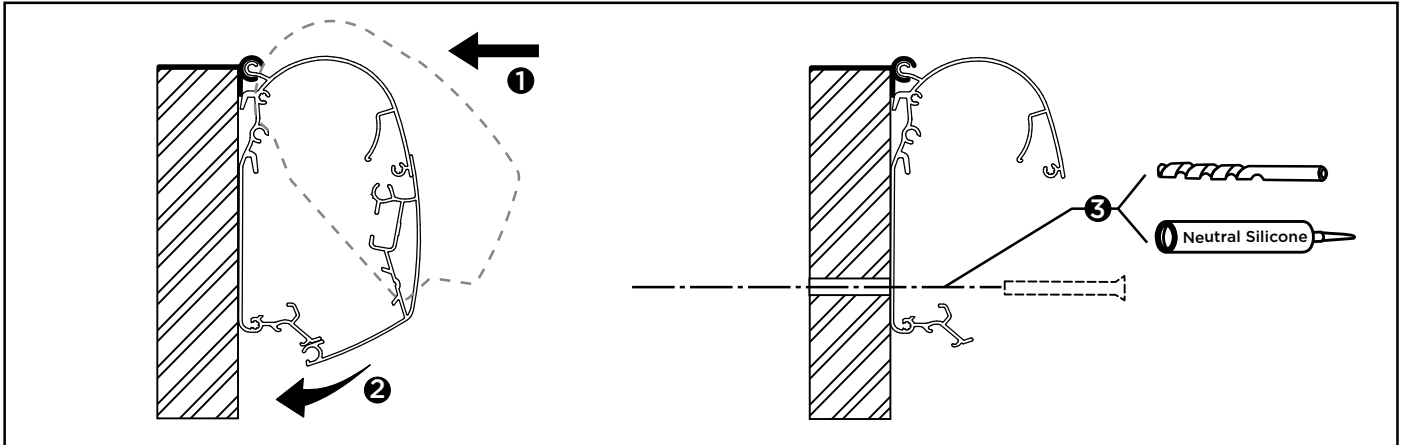
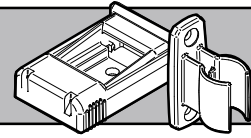


The contents of this manual are proprietary and copyright protected by Lippert Components, Inc. ("LCI"). LCI prohibits the copying or dissemination of portions of this manual unless prior written consent from an authorized LCI representative has been provided. Any unauthorized use shall void any applicable warranty. The information contained in this manual is subject to change without notice and at the sole discretion of LCI. Revised editions are available for free download from lippertcomponents.com.

Please recycle all obsolete materials.

For all concerns or questions, please contact
Lippert Components, Inc.
574-537-8900 | lippertcomponents.com | customerservice@lci1.com

INSTALLATION



ELECTRICAL WIRING

i 12 VDC + -

+ RED

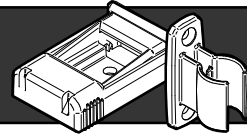
- BLACK

12 VDC - +

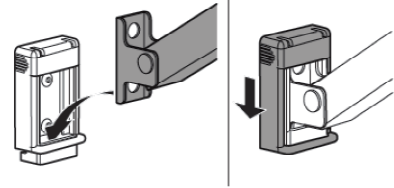
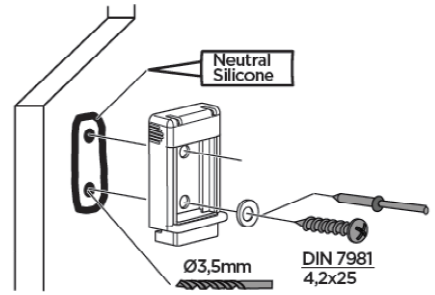
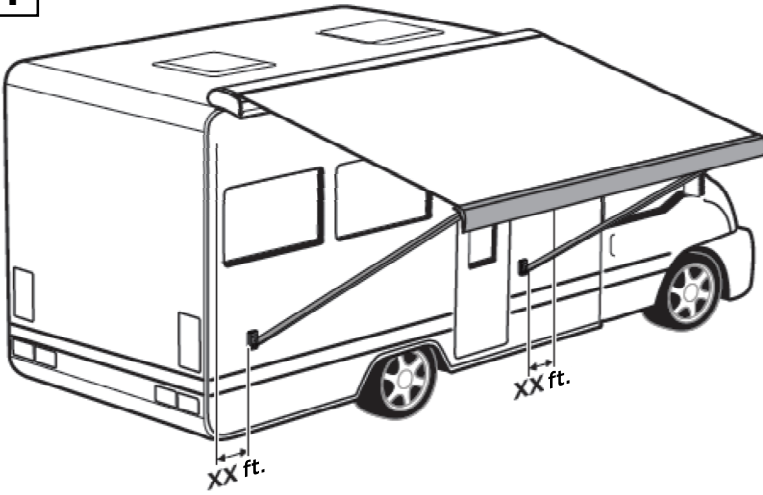
	U	12 VDC (minimum 11 VDC)
	I _{peak}	20,5A
	I _{nom}	6A _{in} / 3A _{out}

! Operation only by switch with momentary contact !

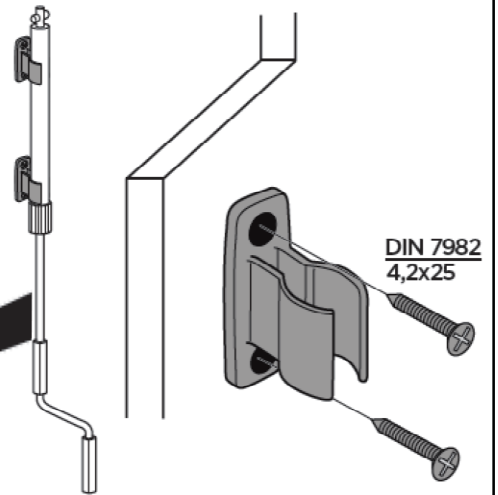
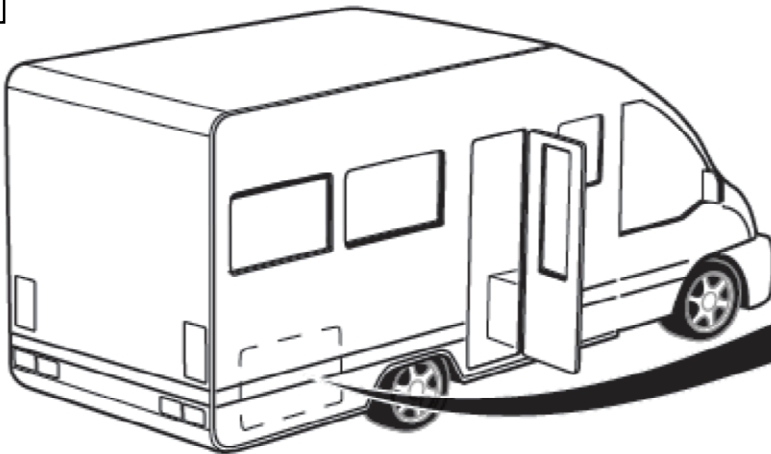
INSTALLATION

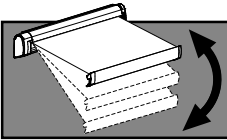


i



i





i

2x 6x

5mm

8° **3A**

20° **3B**

3C

1

L **R**

2 **1**

2

90°

3

L = R

3A

1x 2x

STANDARD

3B

1x 3x

3C

0x 0x

1x 0x

NOT OK

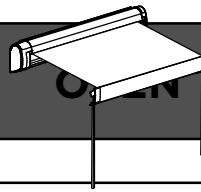
1x 1x

NOT OK

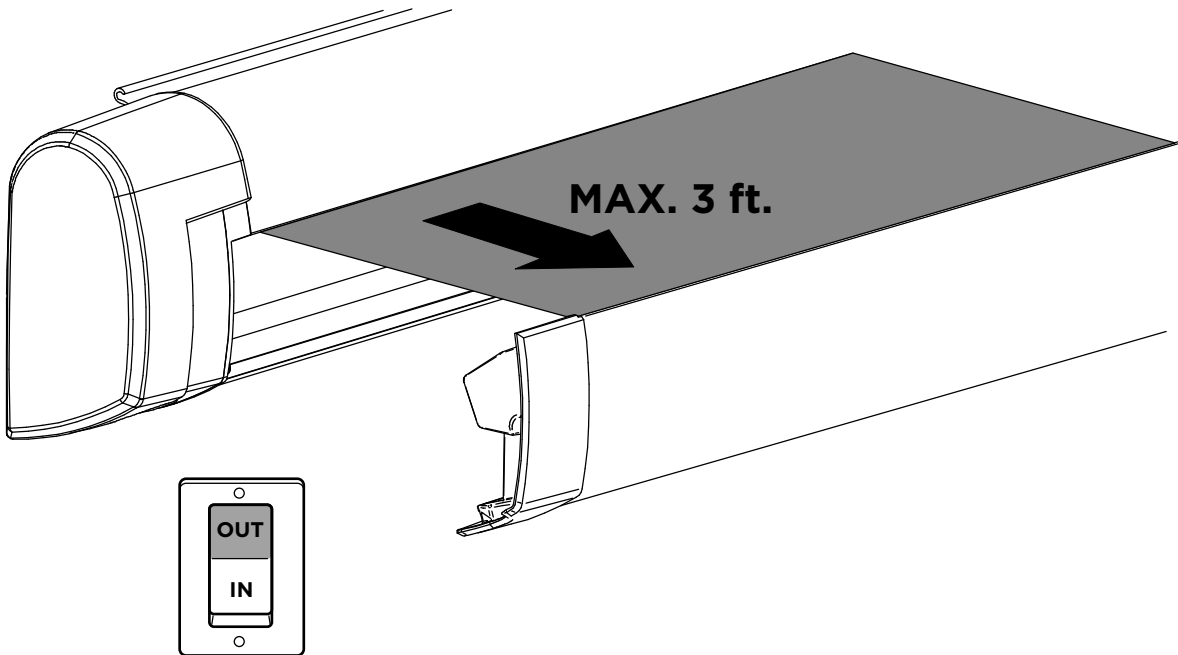
4

L **R**

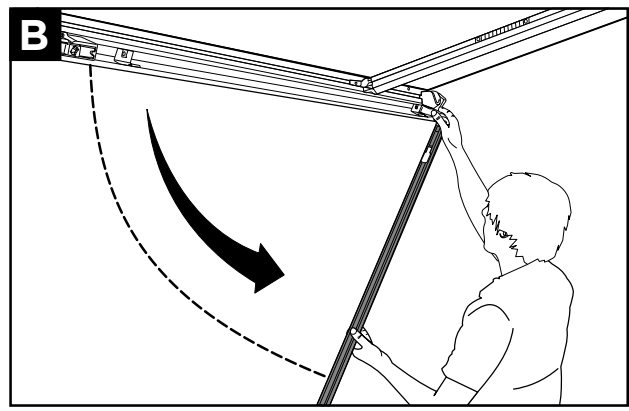
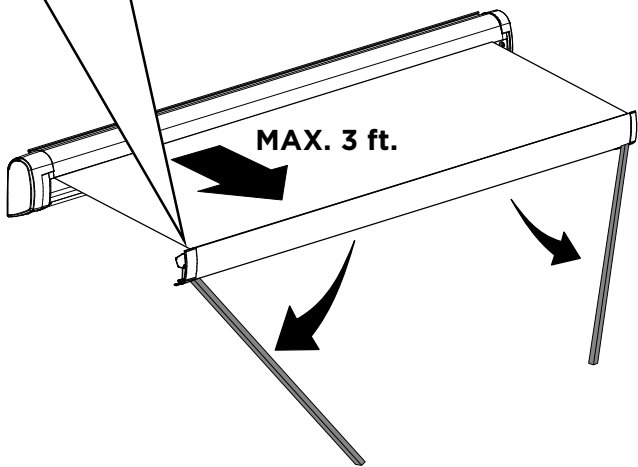
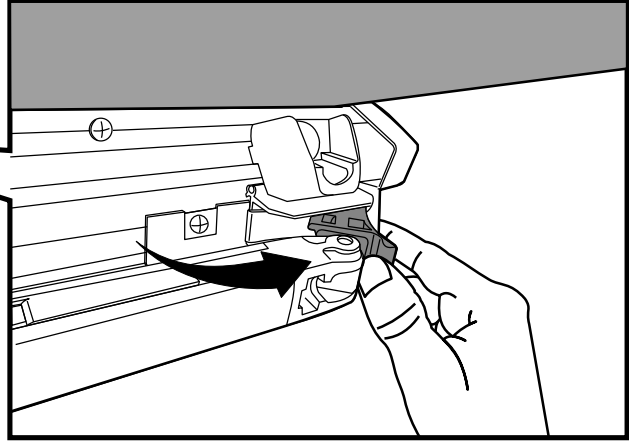
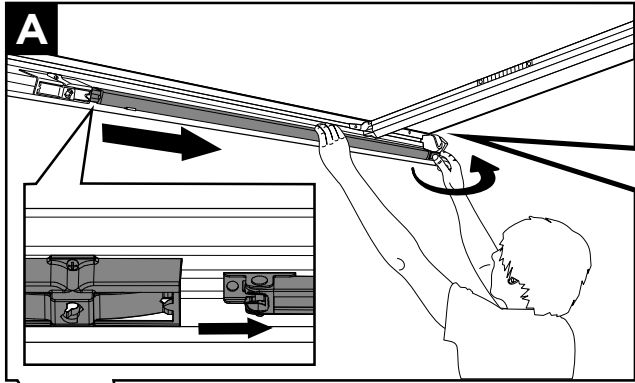
2 **1**



1

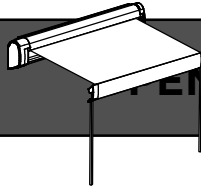


2





CLOSED

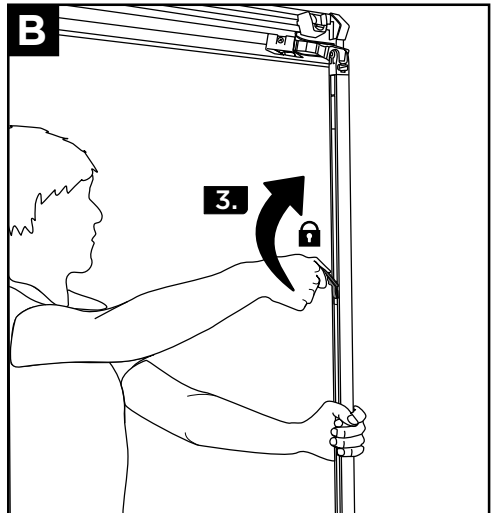
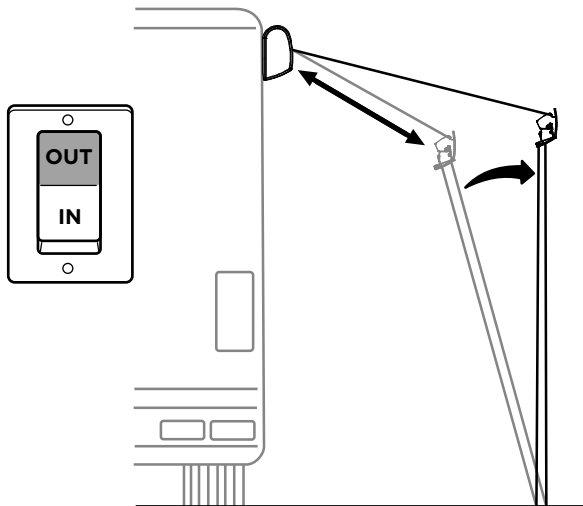
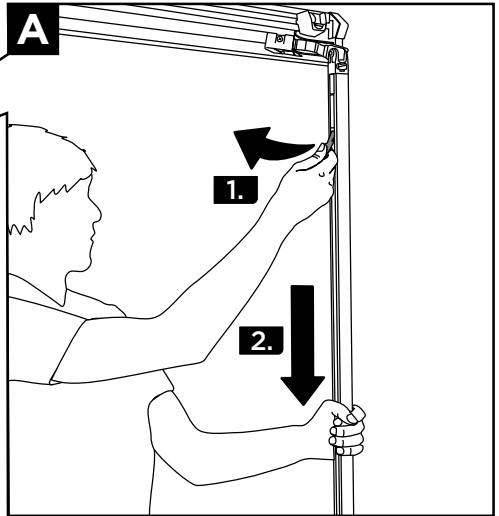
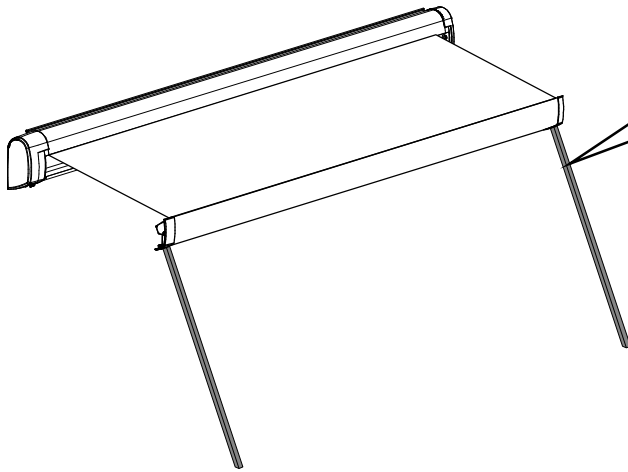


OPEN

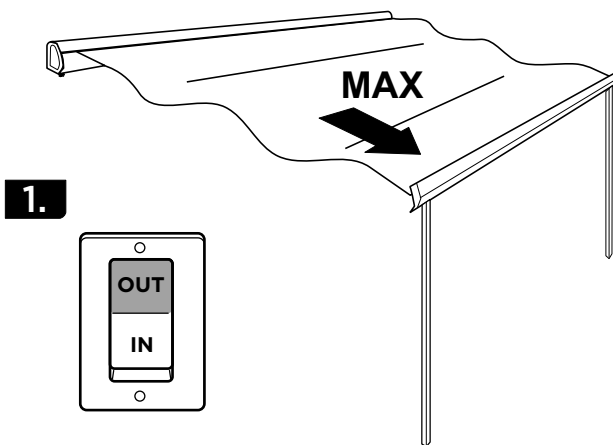


CLOSED

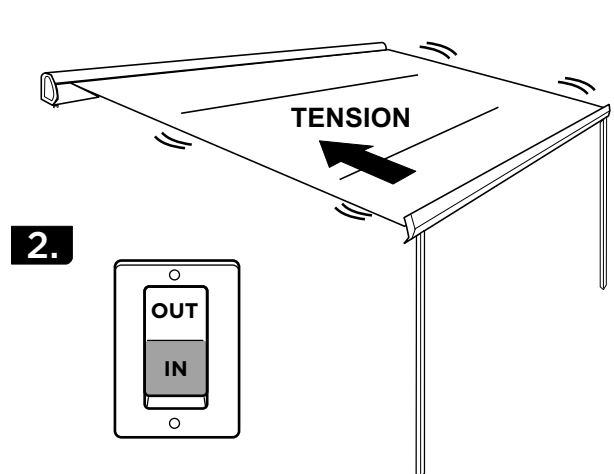
3



4



1.

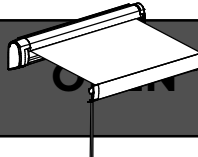


2.

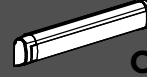
USER MANUAL



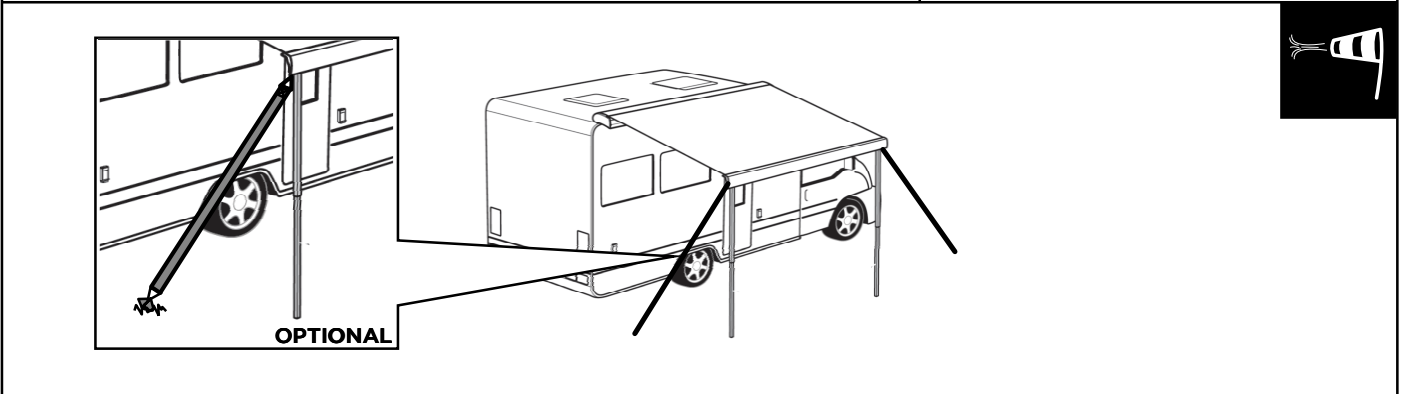
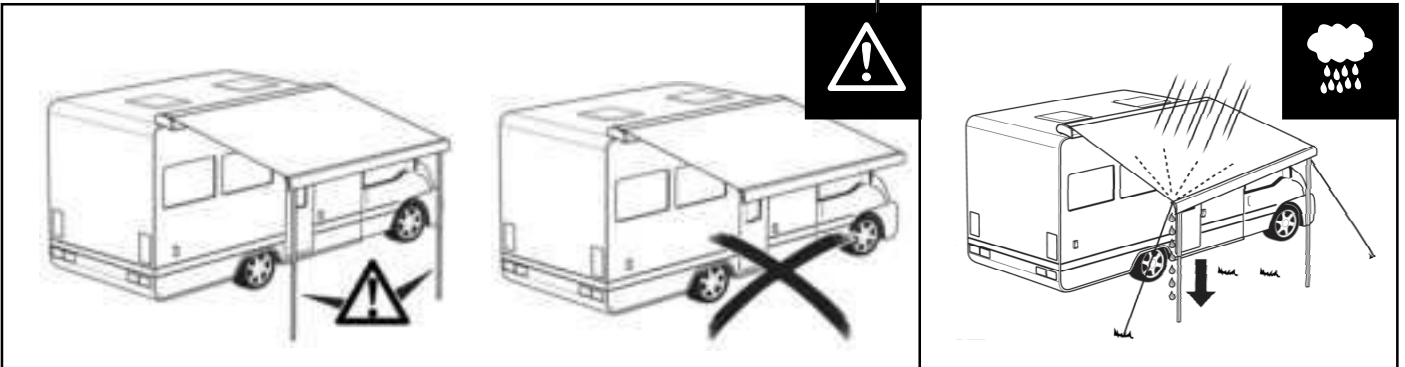
CLOSED



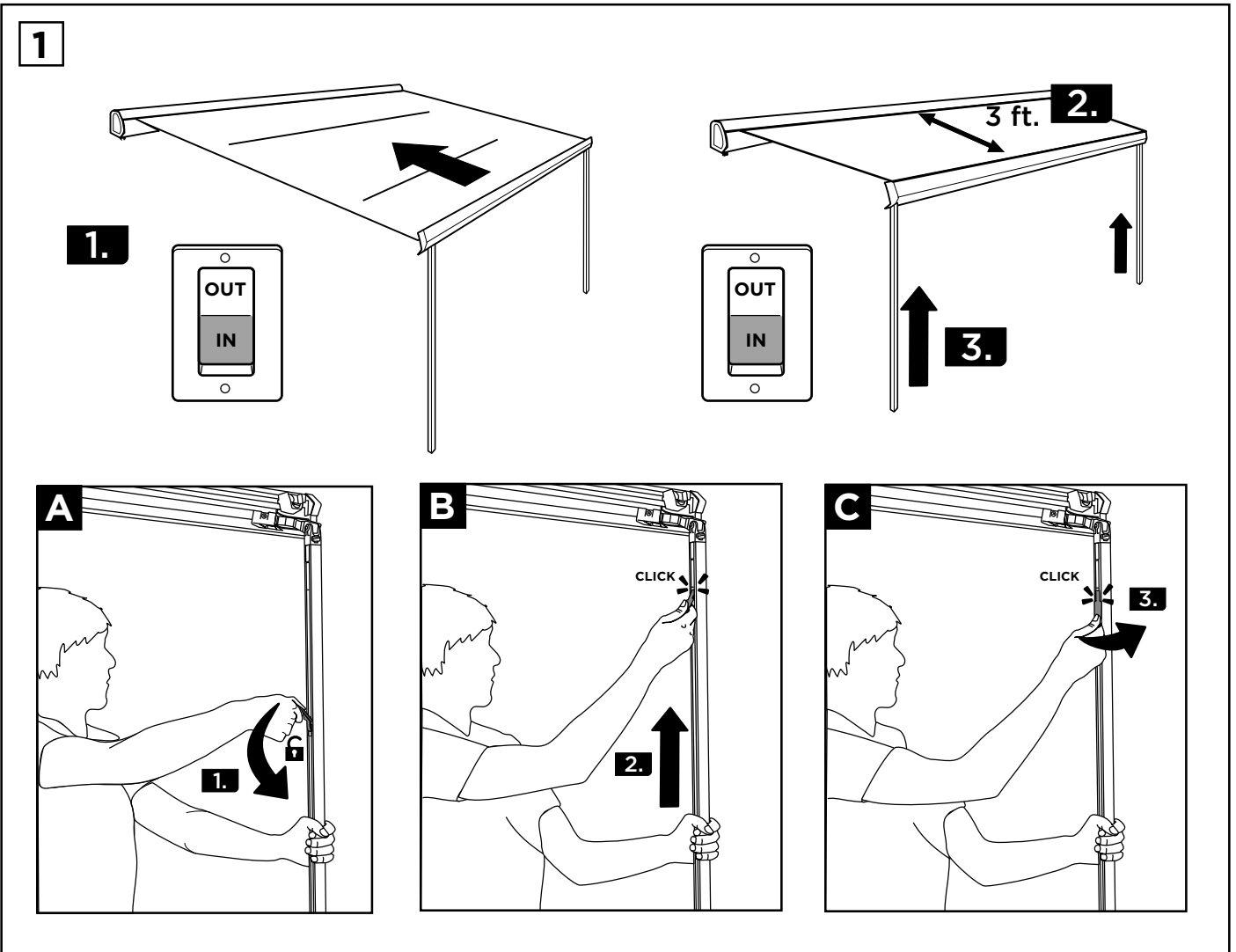
OPEN



CLOSED

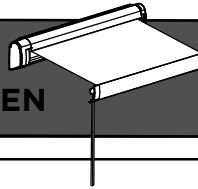


OPTIONAL

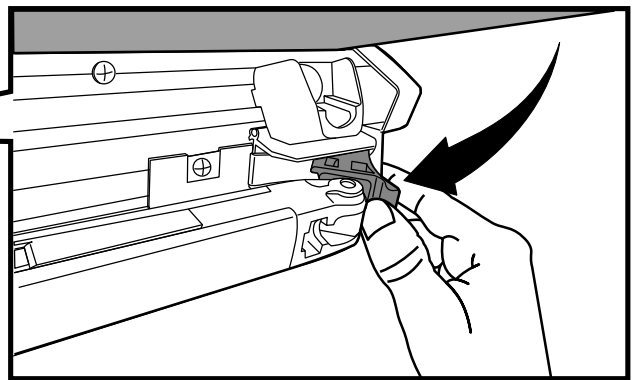
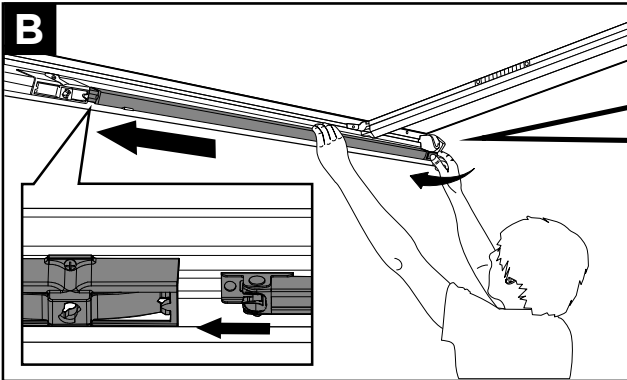
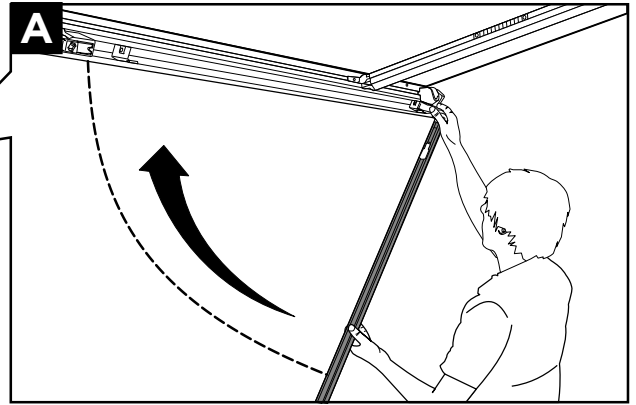
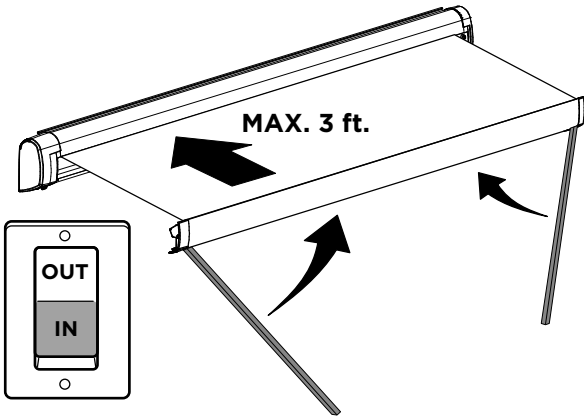




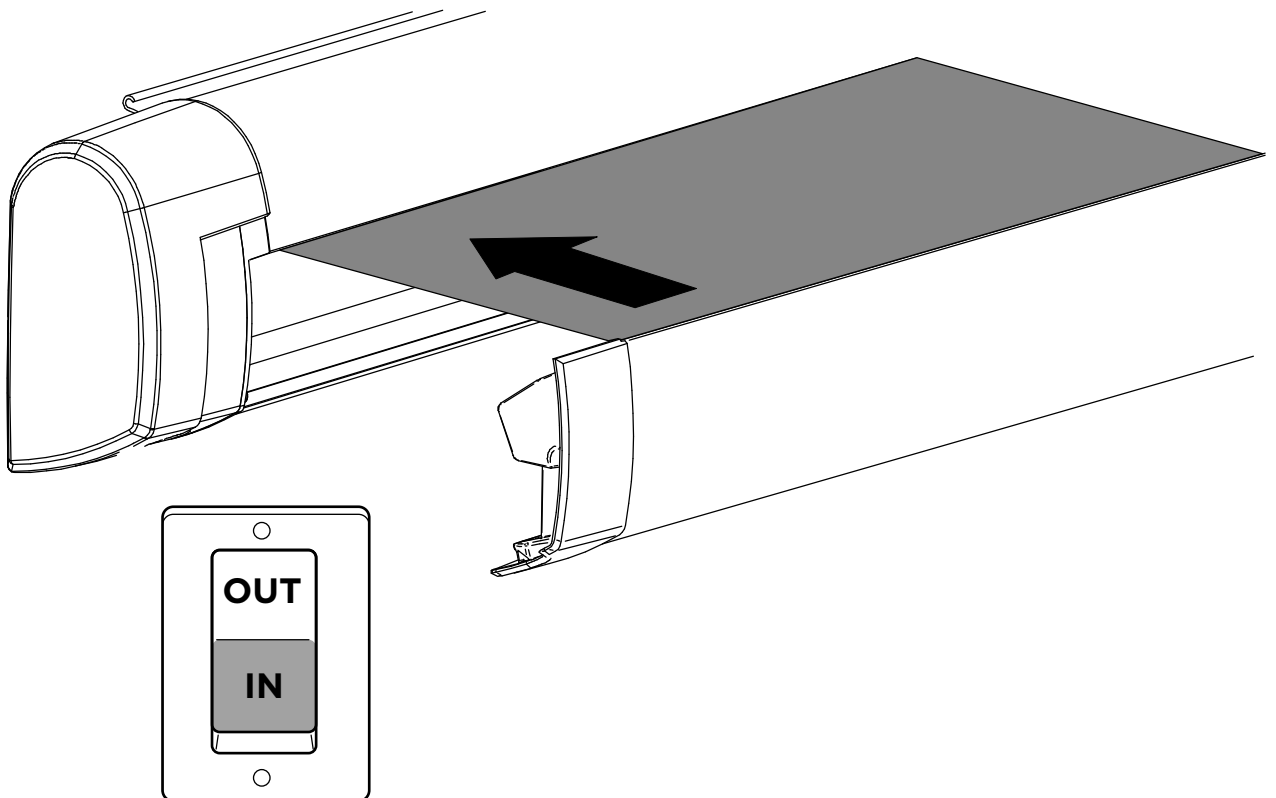
OPEN



2

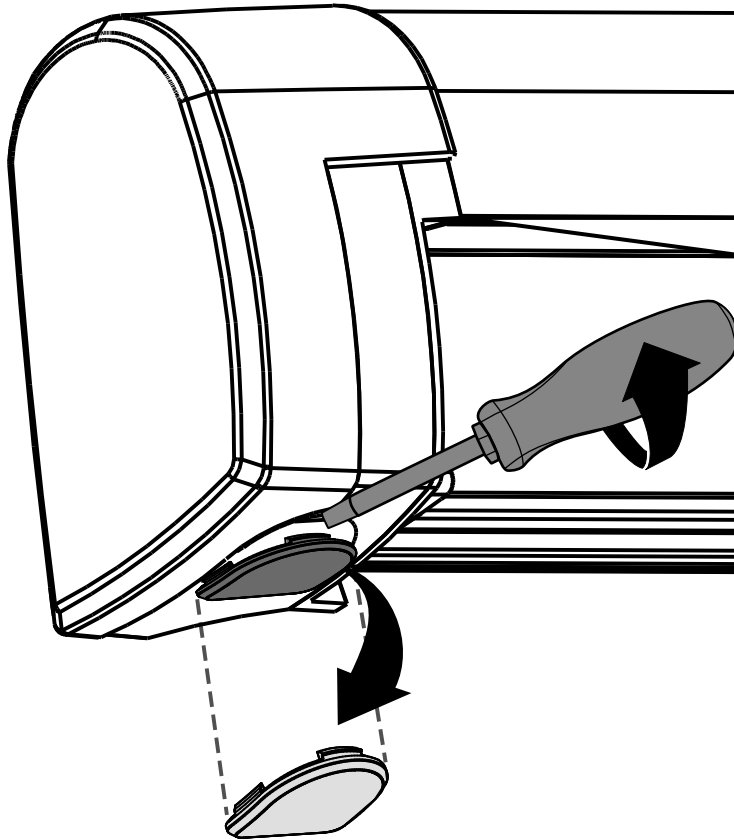


3



MANUAL OVERRIDE

1



2

