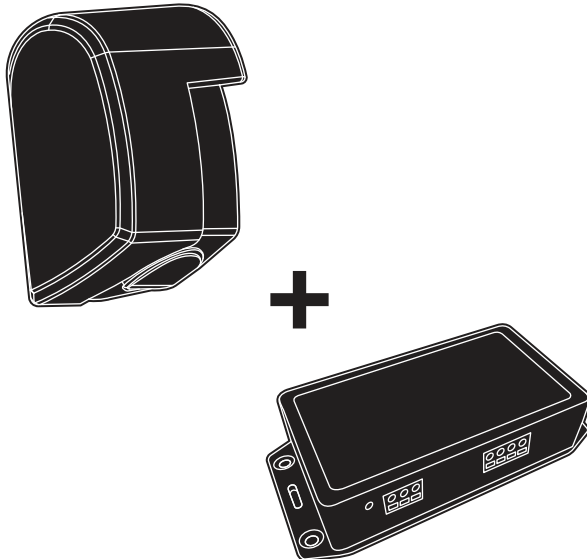


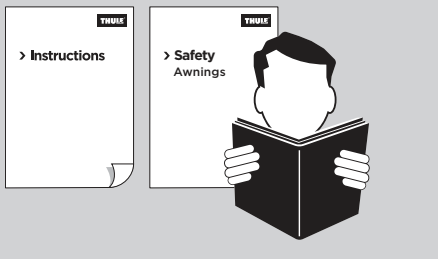
INSTALLATION

# ➤ Instructions

**Thule Omnistor Motor Kit 12V**  
301296 - 301298







<b>DE</b>	Markise - Anleitung
<b>NL</b>	Luifel - Instructies
<b>FR</b>	Store - Instructions
<b>IT</b>	Tendalino - Istruzioni
<b>ES</b>	Toldo - Instrucciones
<b>SV</b>	Markisen - Instruktioner
<b>FI</b>	Markiisit - Ohjeet
<b>DA</b>	Markisen - Instruktioner
<b>NO</b>	Markisen - Instruksjoner

<b>PL</b>	Markiza - Instrukcje
<b>PT</b>	Toldo - Instrukções
<b>CS</b>	Markýza - Návod
<b>SL</b>	Ponjava - Navodila
<b>TR</b>	Güneşlik - Talimatlar
<b>ZH</b>	遮阳篷 - 说明
<b>JA</b>	オーニング - 取扱説明書
<b>KO</b>	어닝 - 지침

## 1 WARNINGS & INFO

**4**

Warnungen & Infos / Waarschuwingen & info / Avertissements & informations / Avvertenze & informazioni / Advertencias & información / Varningar & information / Varoituksia & tietoja / Advarsler & info / Advarsler & information / Ostrzeżenia & informacje / Avisos e informações / Varování a informace / Opozorila in informacije / Uyarılar ve Bilgiler / 警告和信息 / 警告と情報 / 경고 및 정보

## 2 CONTENT

**4**

Inhalt / Inhoudsopgave / Sommaire / Contenuto / Contenido / Innehåll / Sisällys / Indhold / Innhold / Treść / Índice / Obsah / Kazalo / İçerik / 目录 / 目次 / 목차

## 3 TOOLS

**4**

Werkzeuge / Gereedschappen / Outils / Strumenti / Herramientas / Verktøy / Työkalut / Værktøj / Verktøy / Narzędzia / Ferramentas / Nářadí / Orodja / Aletler / 工具 / ツール / 도구

## 4 INSTALLATION

**5**

Montage / Installatie / Installation / Installazione / Instalación / Montering / Asennus / Montering / Montering / Montaj / Instalação / Montáž / Namestitev / Montaj / 安装 / 取り付け / 설치

## 5 ELECTRICAL INSTALLATION

**8**

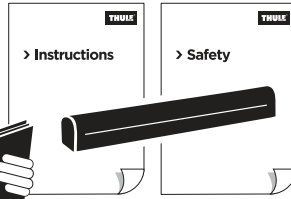
Elektrische Installation / Elektrische installatie / Installation électrique / Installazione elettrica / Instalación eléctrica / Elinstallation / Sähköasennus / Elektrisk montering / Elektrisk montering / Instalacja elektryczna / Instalação eléctrica / Elektroinstalace / Električna namestitev / Elektrik Montaji / 电气装置 / 電動取り付け / 전기적 설치

## 6 MANUAL OVERRIDE

**13**

Manuelle Freigabe / Handmatige ontkoppeling / Déblocage manuel / Sgancio manuale / Liberación manual / Manuell frigöring / Manuaalinen vapautus / Manuel udløsning / Manuell utløsning / Demontaż ręczny / Desengate manual / Ručni odepnutí / Ročno odpenjanje / El ile kilit açma / 手动卸载 / 手動リリース / 수동 해제

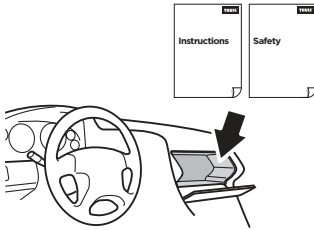
# 1 WARNINGS & INFO



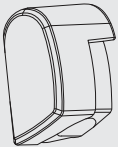
OK



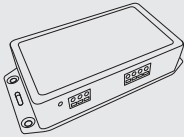
NOT OK



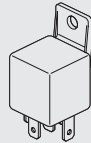
# 2 CONTENT



x1



x1



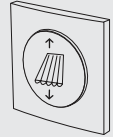
x1



x1



x1

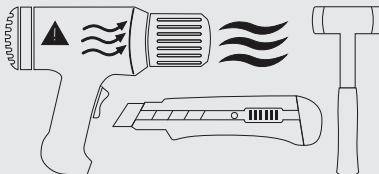


x1

# 3 TOOLS



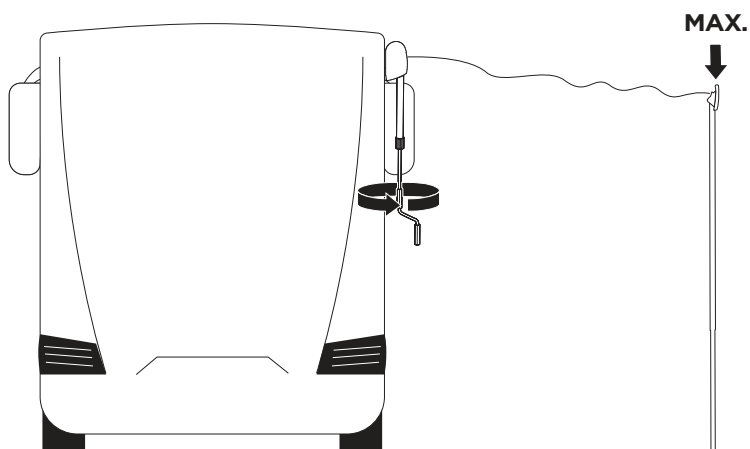
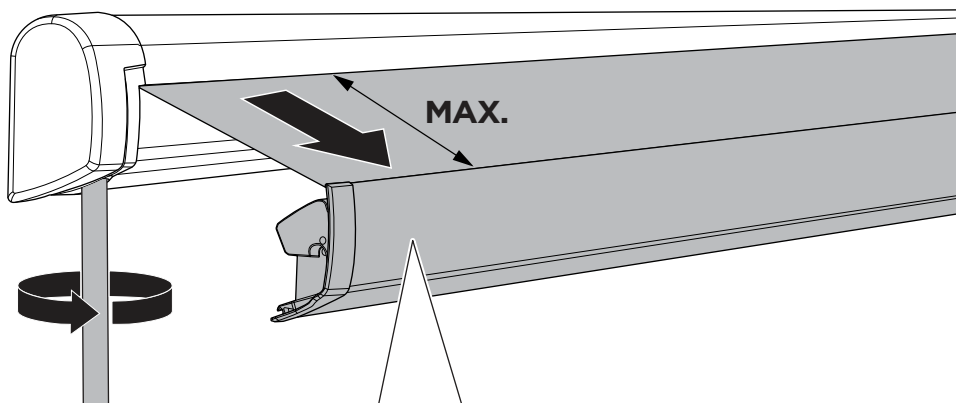
TX20



## 4 INSTALLATION

THULE AWNING LENGTH	MOTOR KIT 12V
1,90 m	✗
2,30 m	✗
2,60 m	✗
3 m	✓
3,50 m	✓
4 m	✓
4,50 m	✓
5 m	✓

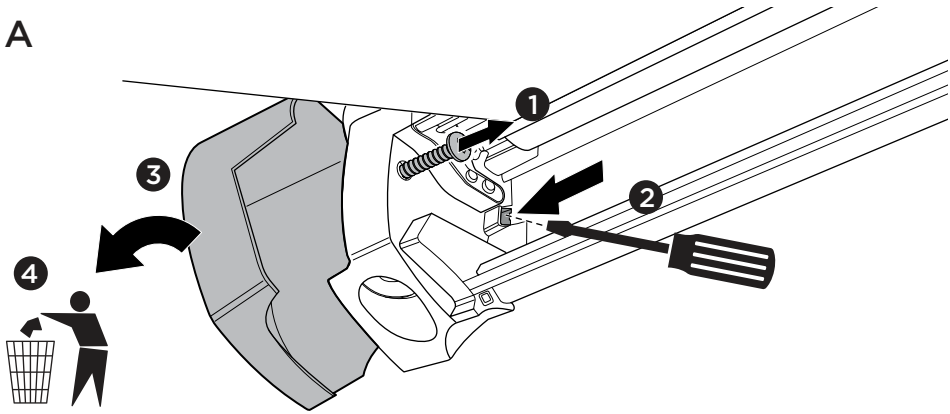
1



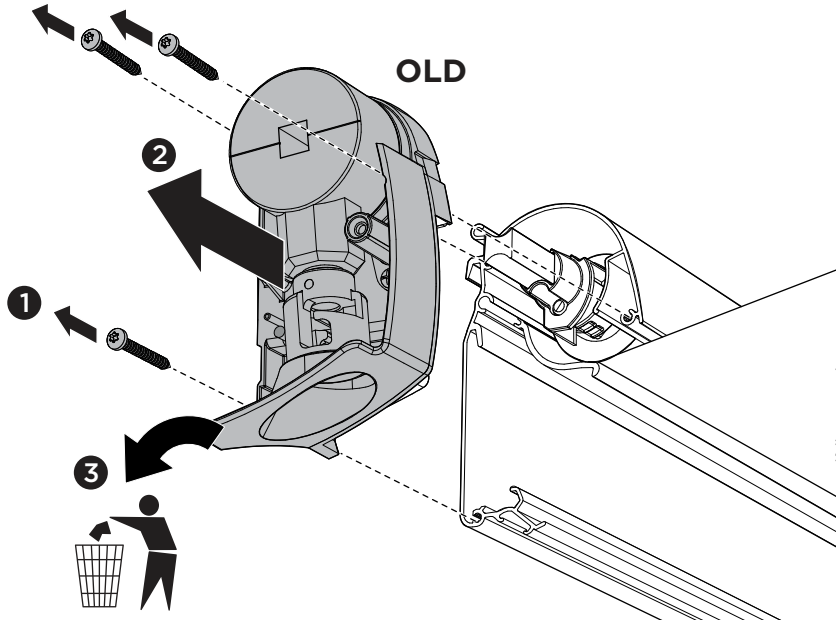
**2**



**A**



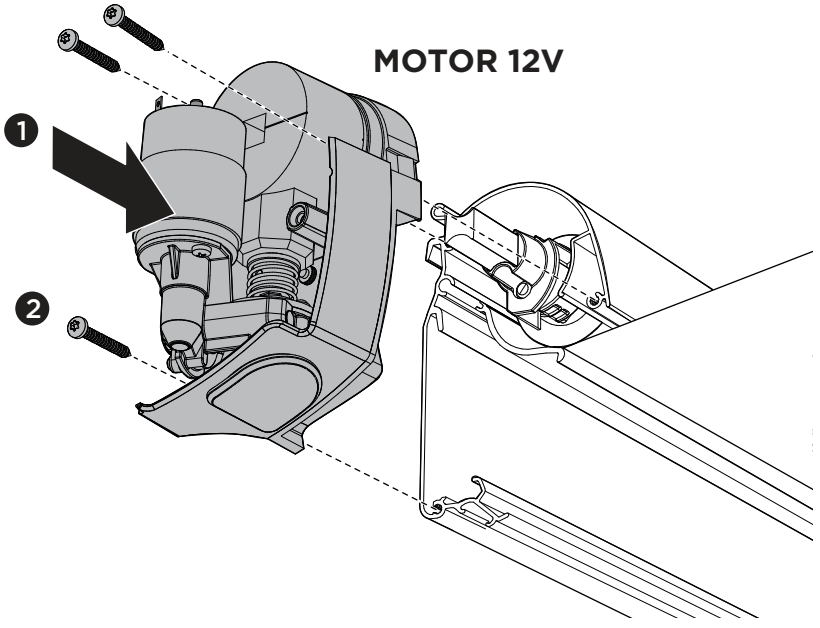
**B**



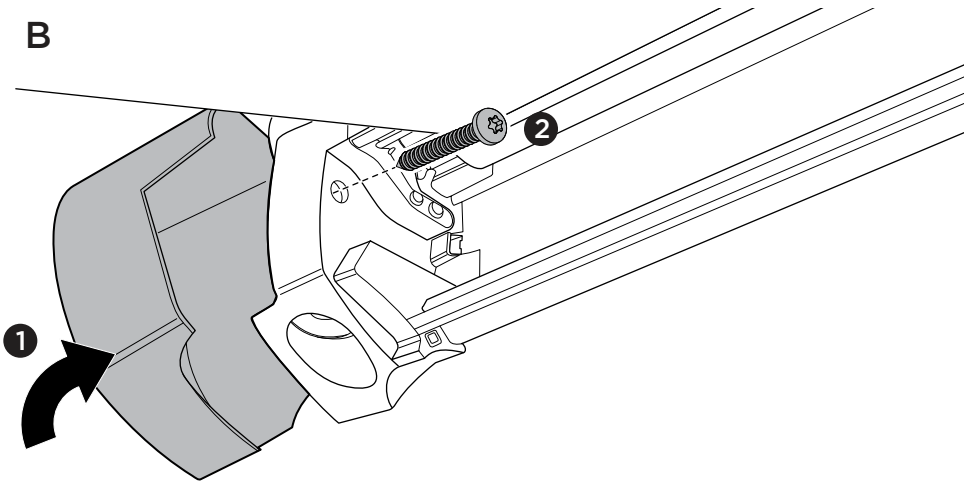
3



A

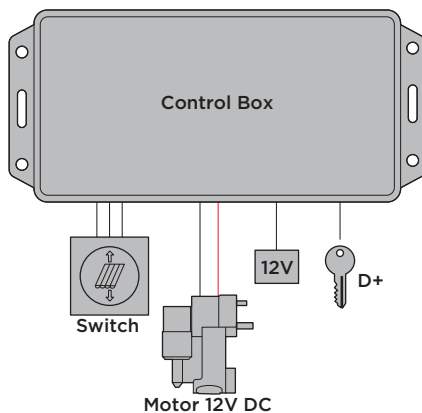


B



## 5 ELECTRICAL INSTALLATION

i



UK  
CA



CE

### THULE MOTOR 12V TECHNICAL SPECIFICATIONS

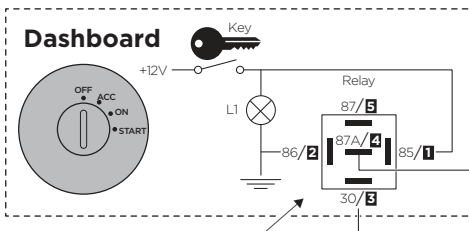
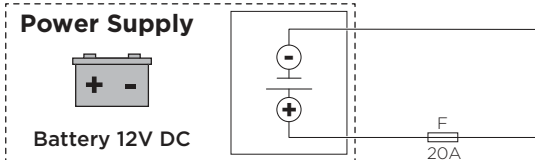
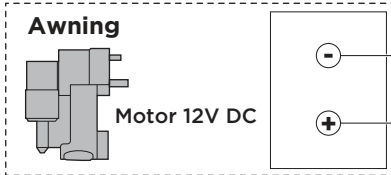
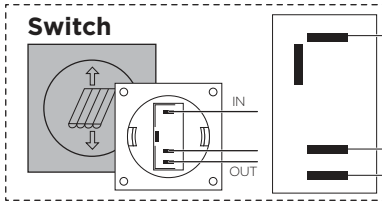
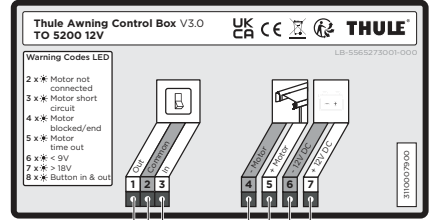
Supply	12V DC
Current	Nominal: 10A / Peak: 20,5A
Nominal Torque	3 Nm
Nominal Speed	58 - 70 rpm
Mechanical Limit Setting	✓
Emergency Manual Operation	✓

### THULE CONTROL BOX TECHNICAL SPECIFICATIONS

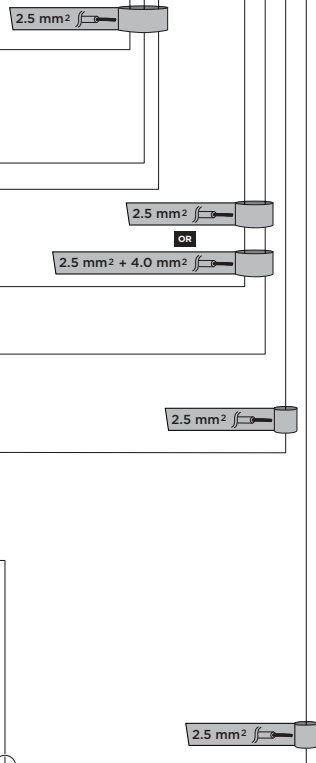
Supply	12V DC
Maximum Voltage	18V DC
Standby Power Consumption	< 0,2 mA
Storage Temperature Range	-40°C to +80°C
Operation Temperature Range	-25°C to +80°C
IP classification	IP 51
Noise	65 dB (C)

**RED/ROT/ROOD/  
ROUGE/ROSSO/ROJO/  
RÖD/PUNAINEN/RØD/  
RØD/CZERWONY/  
VERMELHO/ČERVENÁ/  
RDEČE/KIRMIZI/红/レ  
ッド/레드**

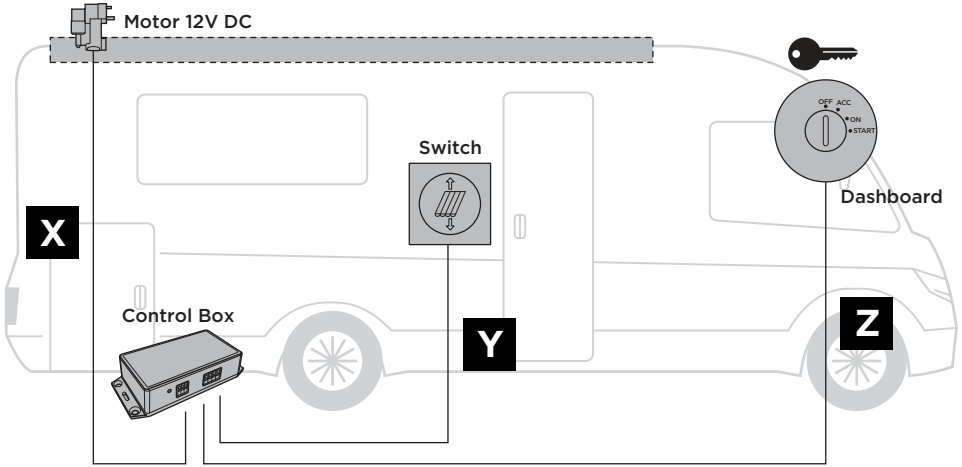
**BLACK/SCHWARZ/  
ZWART/NOIR/NERO/  
NEGRO/SVART/  
MUSTA/SORT/SVART/  
CZARNY/PRETO/  
ČERNÁ/ČRNA/SİYAH/  
黑色/ブラック/블랙**



xx/x  
**Bosch Type O 986 332 400**  
 Bosch Type O 332 209 150



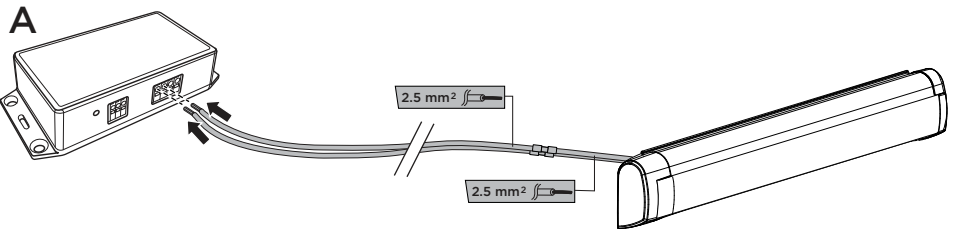
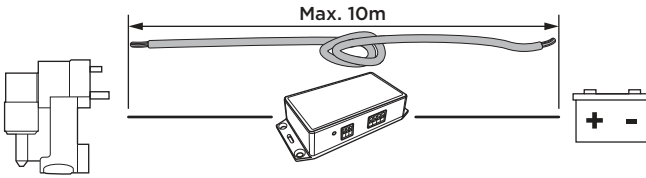
2

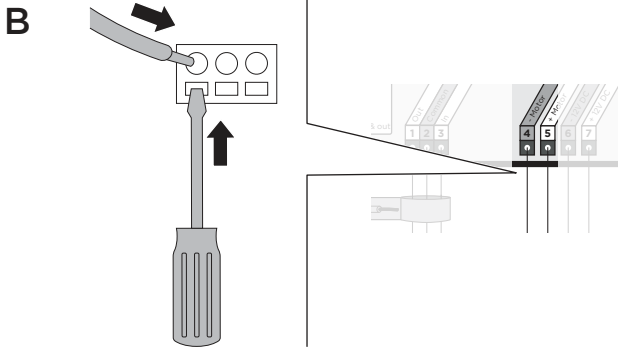


3

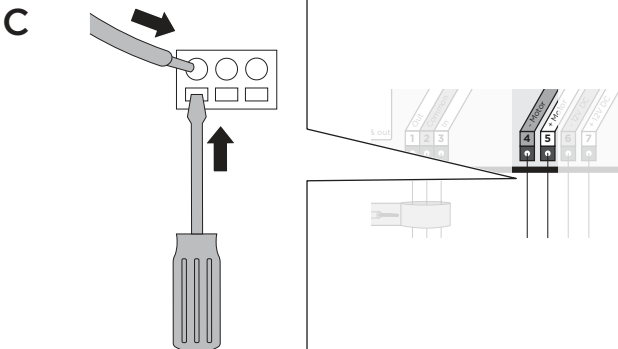
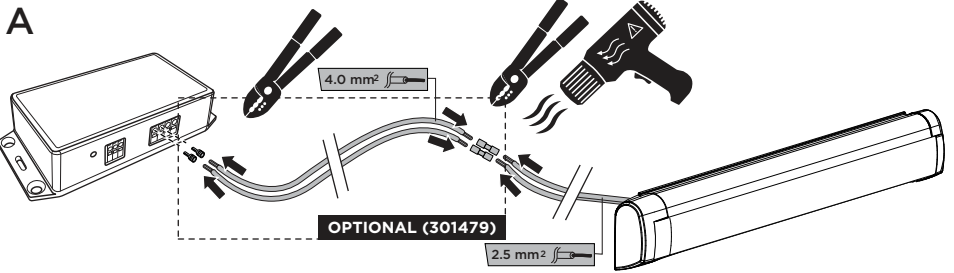
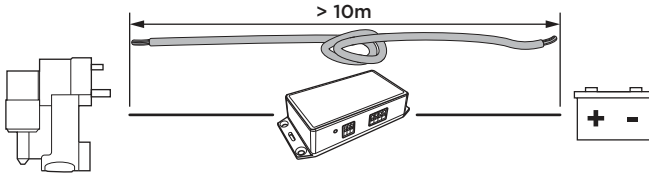
X

Max. 10m





**X** > 10m



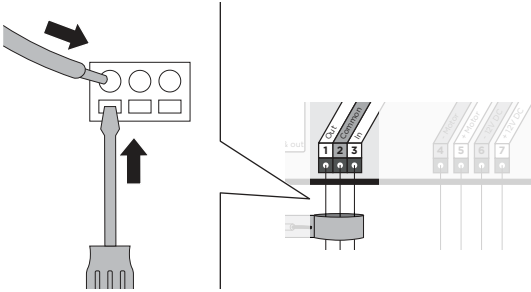
4

Y

A



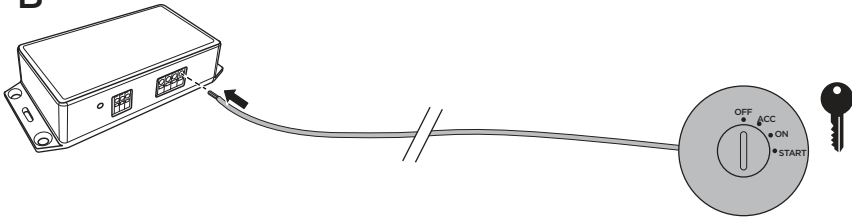
C



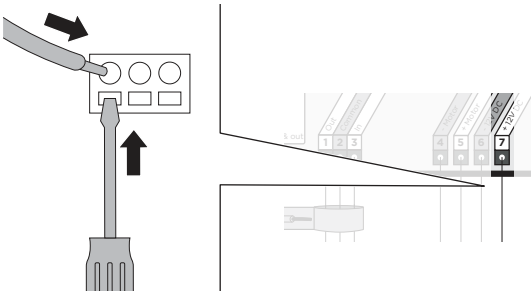
5

Z

B

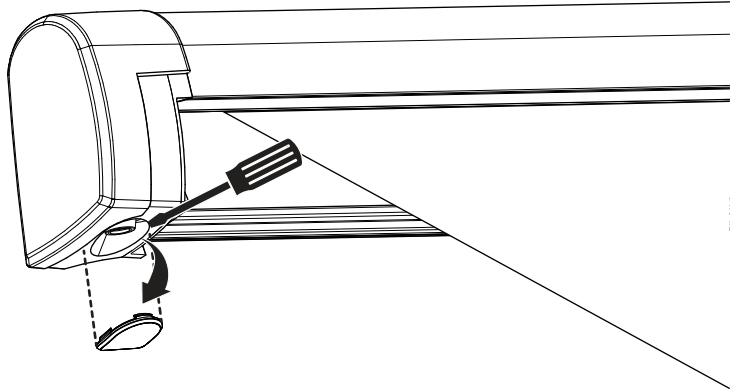


D

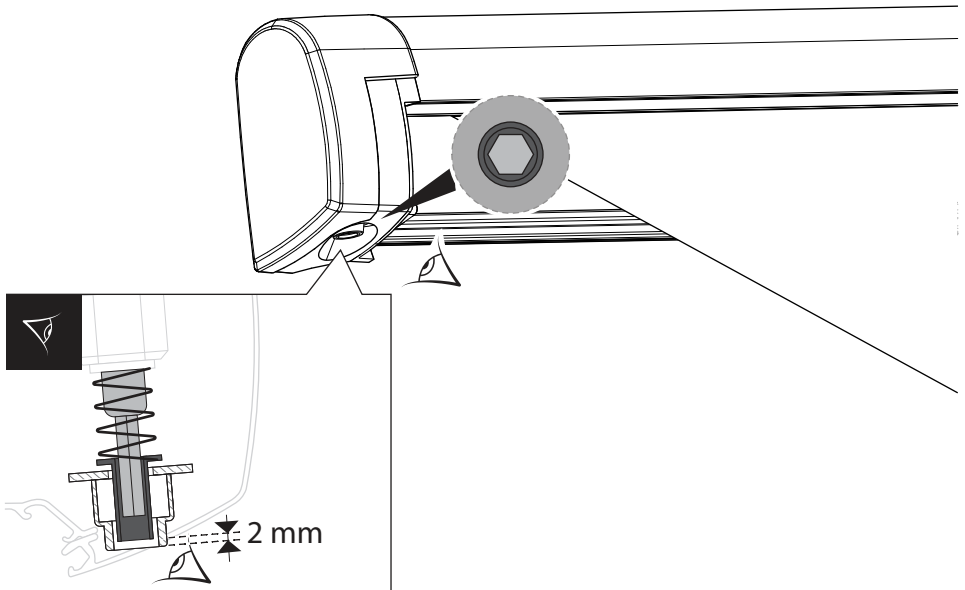


## 6 MANUAL OVERRIDE

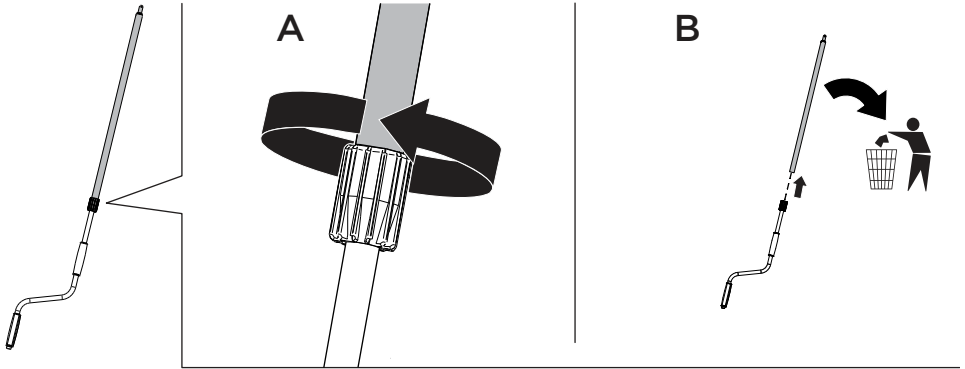
1



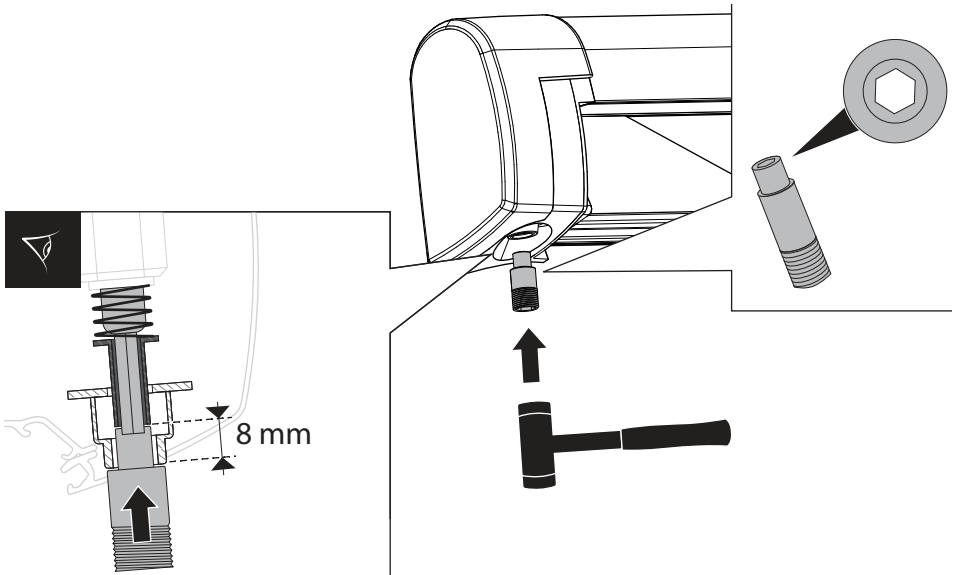
2



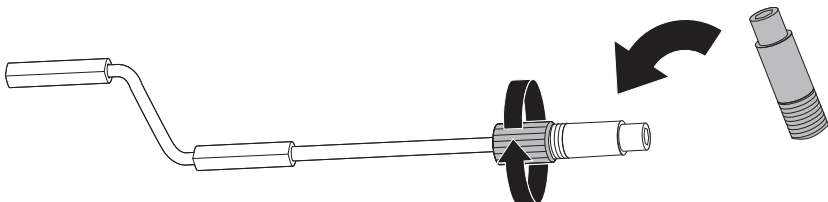
3



4



5



6

