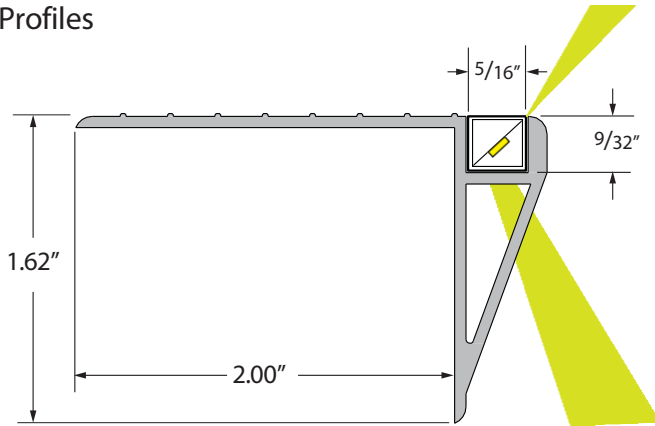


Profiles



Please verify the contents of the packages!
Please read instructions entirely before starting installation.

Be sure power is turned off before installing or modifying the system.

Call Tivoli, LLC tech support with questions.

Caution: Bare Step™ Series is designed to work with listed Class 2 12V DC transformers only. Use of any other power source will cause damage, shorten the life of the fixture and void the warranty.

Consult any and all applicable local and national codes for installation.

Do not conceal or extend exposed conductors through a building wall as per local electrical code.

Warning: With any luminaire for any application, basic safety precautions should always be followed to reduce the risk of fire, electric shock and personal injuries. This lighting system should be installed by a certified professional.

Bare Step™ is an aluminum Step light designed to be installed on hard surfaces (concrete or wood) and may be used for indoor and outdoor applications. Bare Step is pre-cut and pre-assembled at the factory for easy installation in the field.

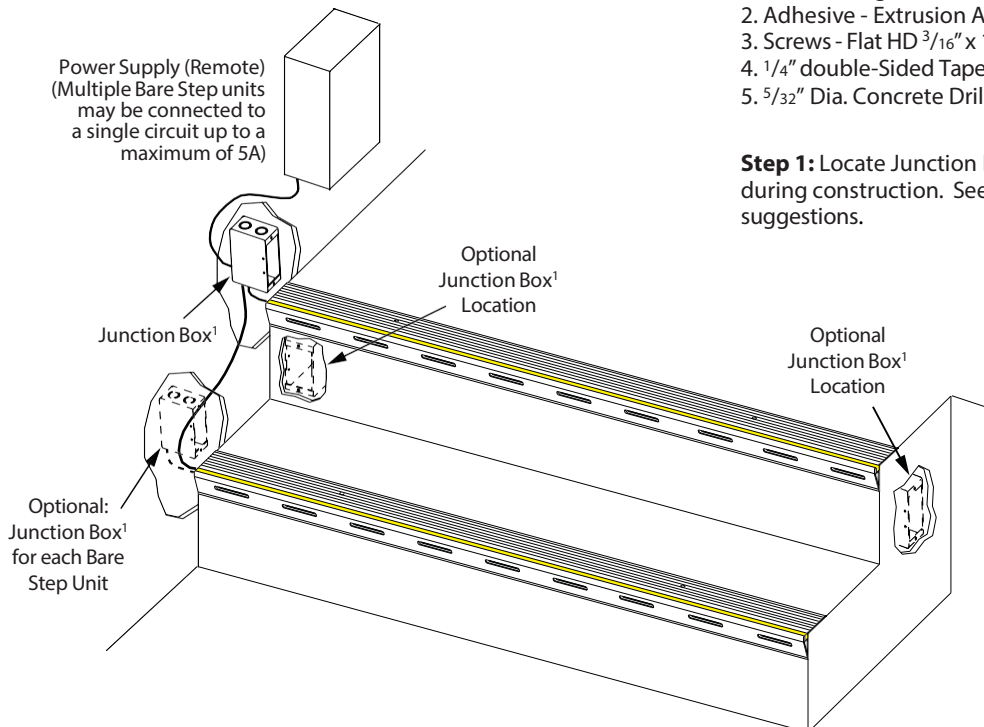
Installation Instructions



Installation Tools Required

1. Tube caulk gun
2. Adhesive - Extrusion Adhesive **ADH-MB-75AM-10**
3. Screws - Flat HD $3/16"$ x $1/4"$ concrete **TM-3/16** (Included)
4. $1/4"$ double-Sided Tape
5. $5/32"$ Dia. Concrete Drill Bit **RONDB-5/32**

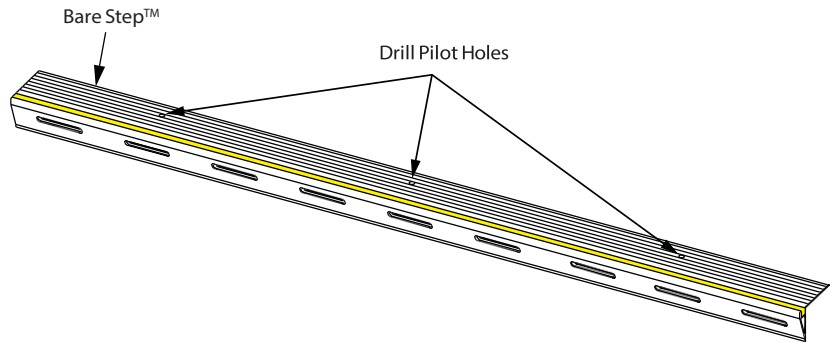
Step 1: Locate Junction Boxes¹ and Transformer, preferably during construction. See diagram for Junction Box¹ location suggestions.



¹ Provided by others

Installation Instructions (Continued)

Step 2: Drill pilot holes 3" from both ends and approximately every 12" along the top of the step.



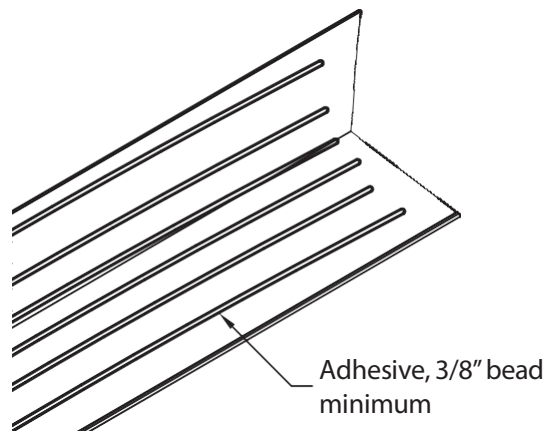
Step 3: Apply adhesive to underside of Bare Step™ extrusion, as shown. Follow instructions on adhesive tube for curing and application information. Install on edge of Step.

Step 4: With Step in place, drill into the concrete through the holes along the top of the Step using 5/32" Dia. concrete drill bit.

Step 5: Add a countersink to the holes in the step.

Step 6: Install 3/16" X 1 1/4" Concrete Screws **TM-3/16**.

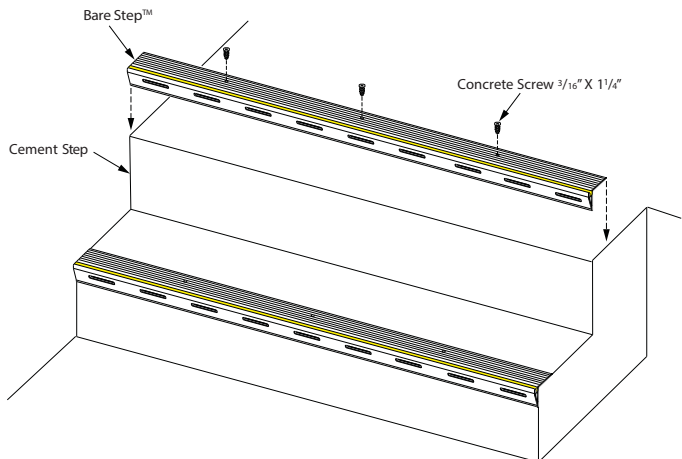
Step 7: Make wiring connections.



Wire Size Selection

In order to operate Class II lighting system properly, it is important to select wires with a right gauge to minimize significant voltage drop. Following are two charts providing a reference for determining the wire size according to the maximum connection wire length from power supply to lighting fixtures.

12V DC Class II Lighting System	
Wire Gauge	Max. Connection Wire Length (FT)
18	90
16	95
14	100
12	105



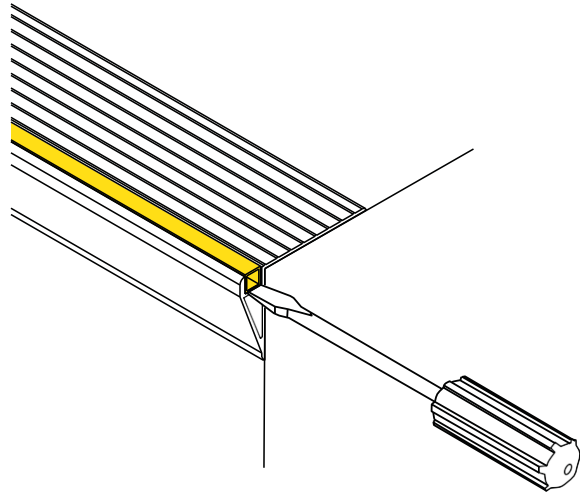
Light Tube Removal Instructions.

WARNING! Risk of electrical shock.
Turn off power before proceeding.

Step 1: Disconnect wiring.

Step 2: Use small screwdriver to pry up light tube from the open end, as shown.

Step 3: Continue to pry up light tube along length until tube is free of Step extrusion.



Light Tube Replacement Instructions

Step 1: Clean all surfaces inside Bare Step channel with denatured alcohol.

Step 2: Apply 1/4" Double-Sided Tape to the bottom surface of the replacement light tube.

Step 3: Insert light tube in channel, making sure the end of the tube aligns with the edge of the extrusion.

Step 4: Press down lightly along the light tube to ensure complete adhesion to the channel.

Step 5: Re-wire connections.

