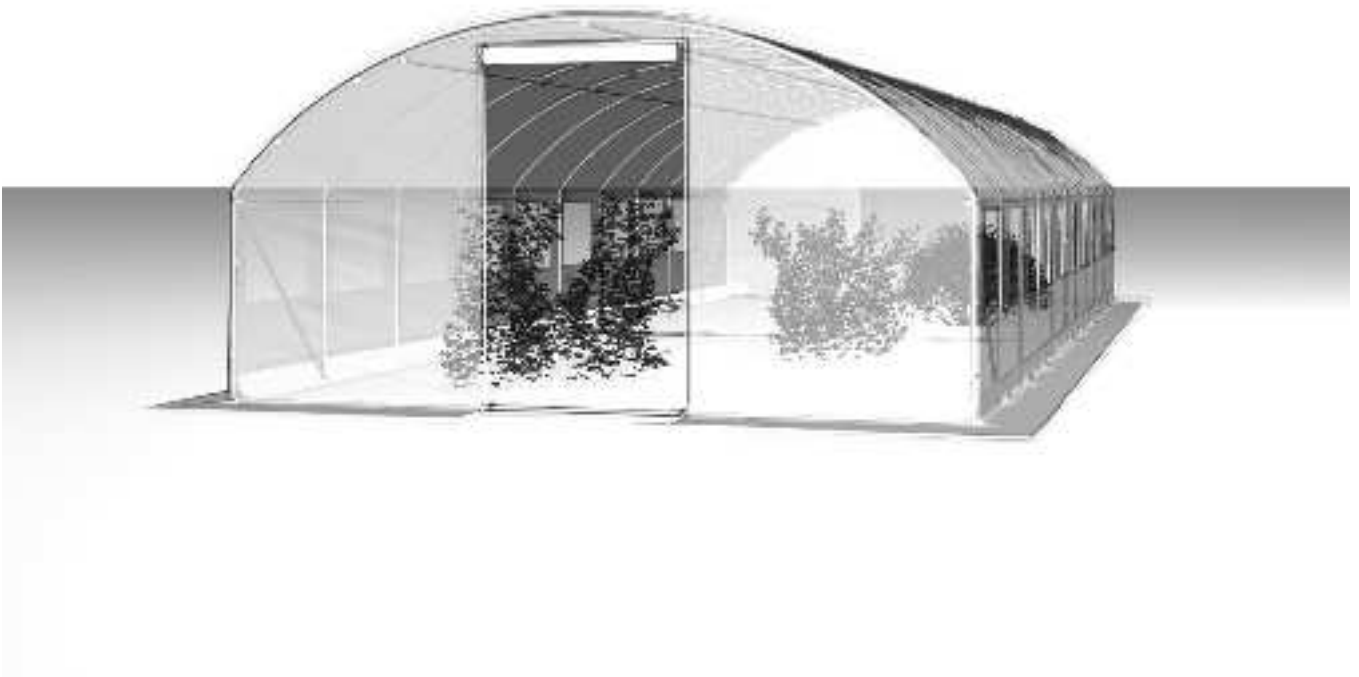
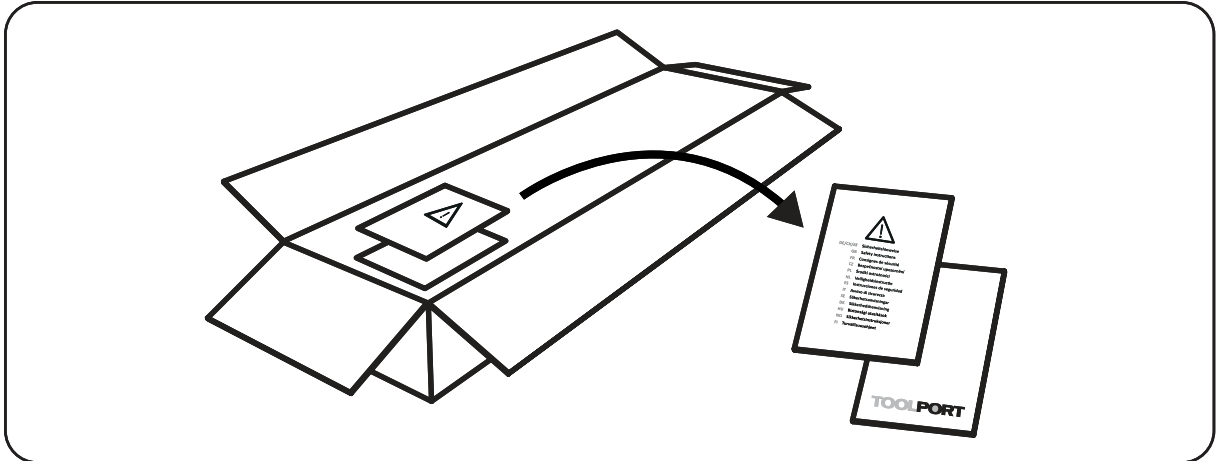
 **FGWH-L1-Q1 4 m x 10 m**



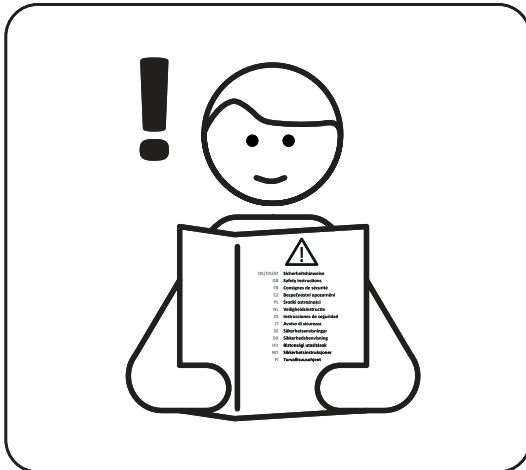
03/2025-V02

TOOLPORT

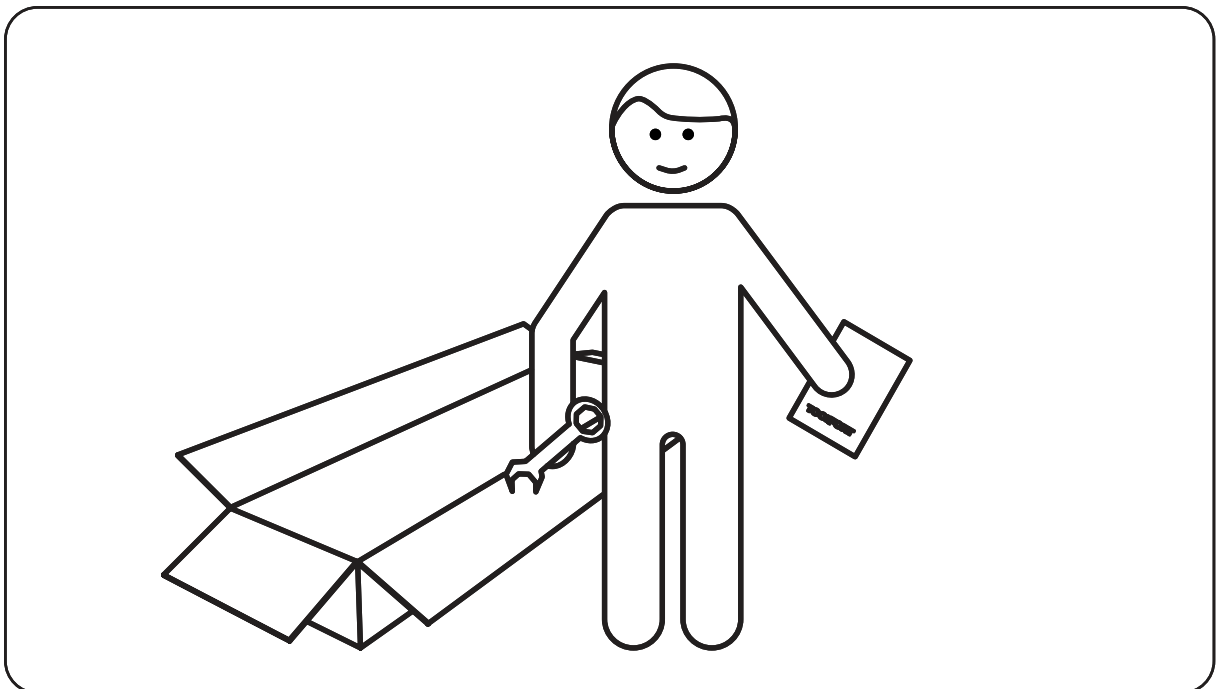
A






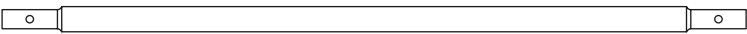

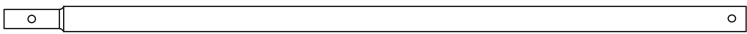
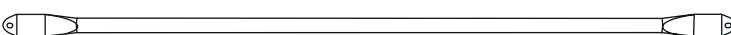



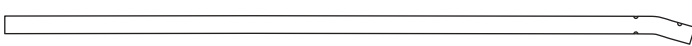



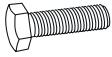

B




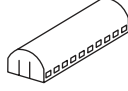



C




FGWH-L1-Q1 4 m x 10 m

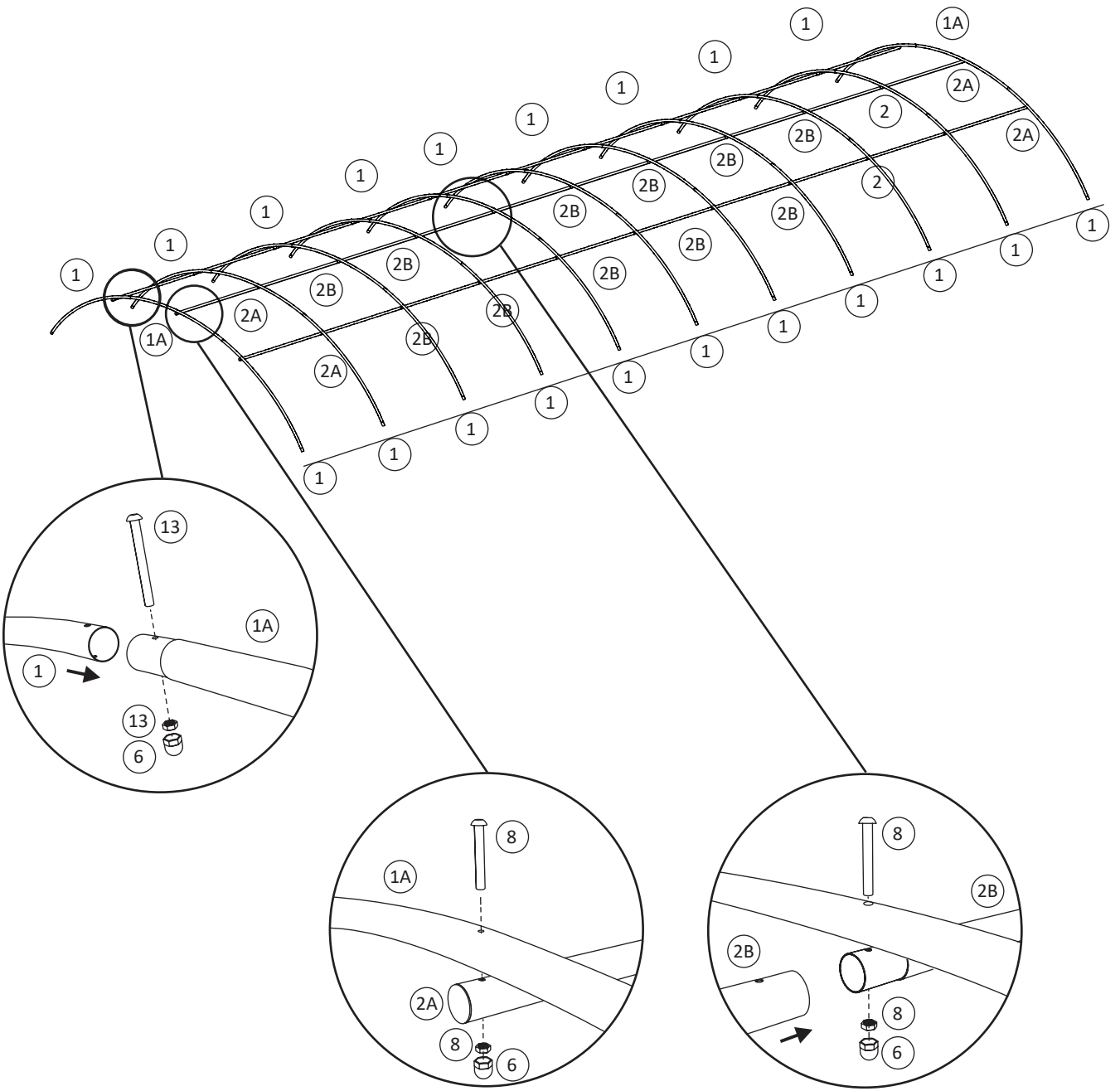
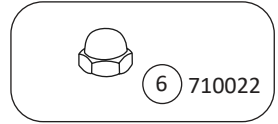
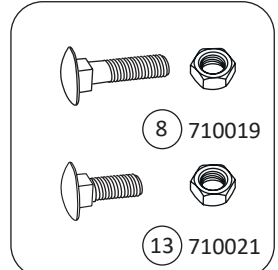
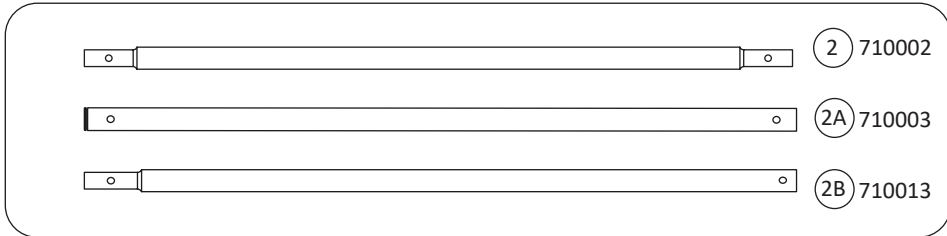
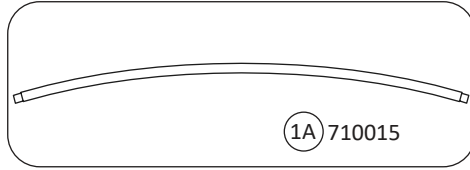
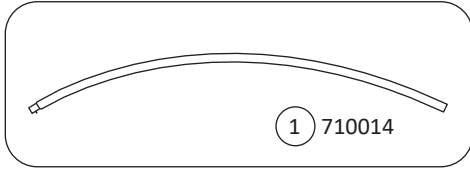
Item no.	ID		Q'ty
710014	1		18
710015	1A		11
710002	2		7
710003	2A		14
710013	2B		49
710040	3		4
710016	4		3
710042	4A		3
710043	4B		3
710017	5		32
710022	6		99
710018	7		6
710019	8		71
33415	10		6
33412	11		2


 **FGWH-L1-Q1 4 m x 10 m**

Item no.	ID		Q'ty
	12		1
710021	13		22
710090	14		8
710089	15		16

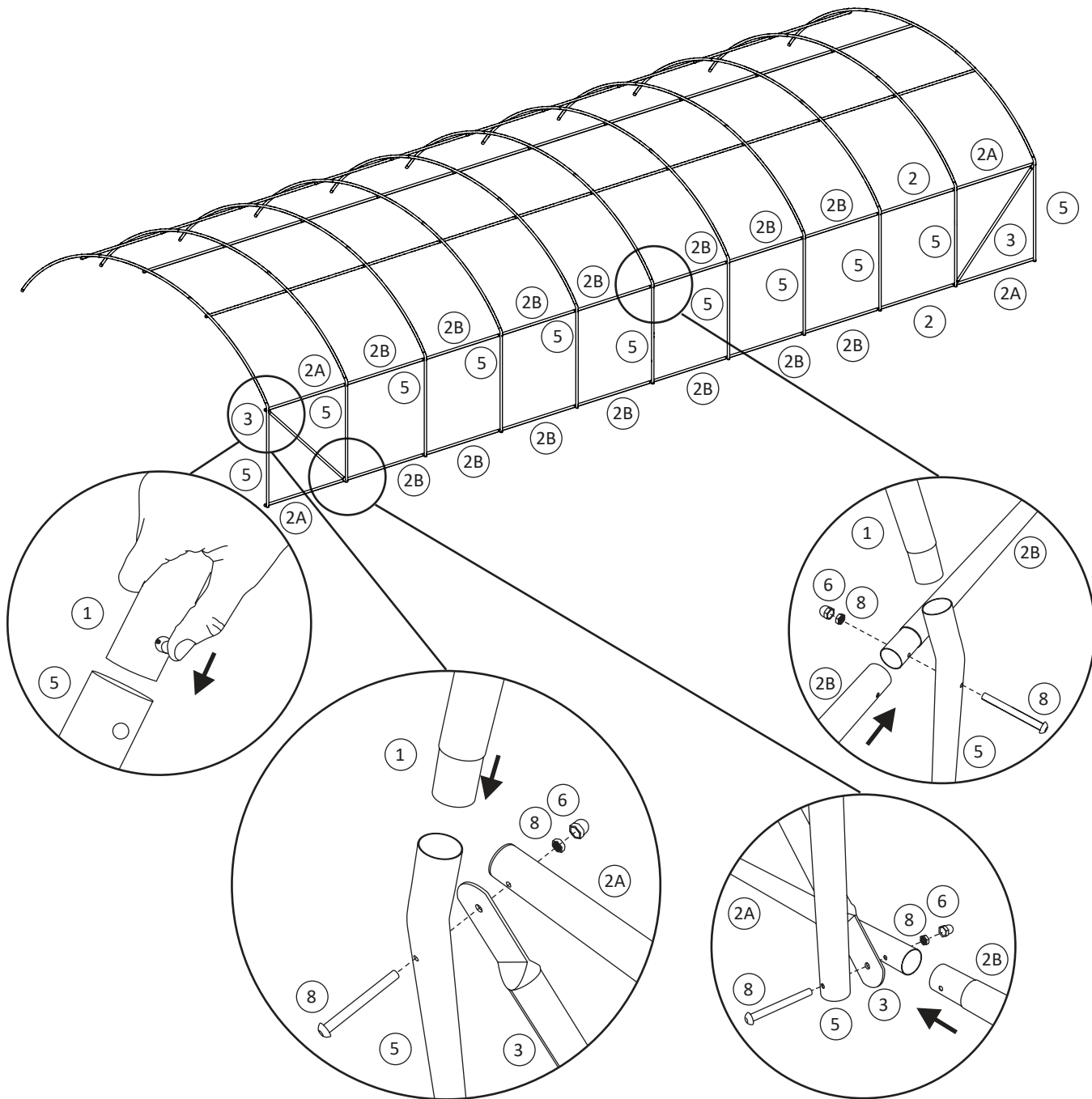
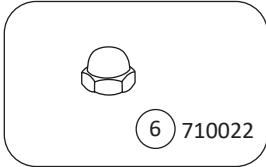
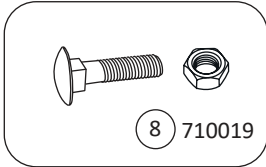
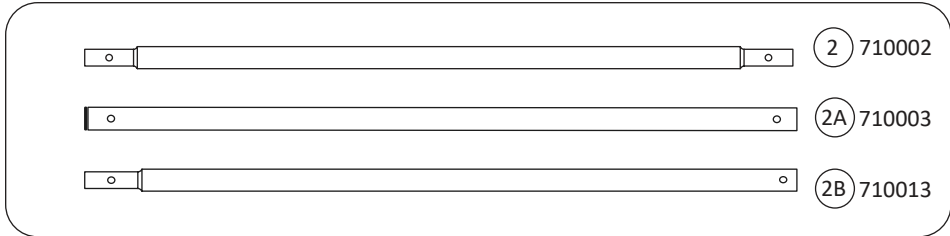
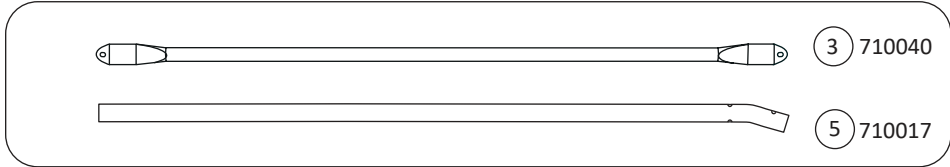
FGWH-L1-Q1 4 m x 10 m


1



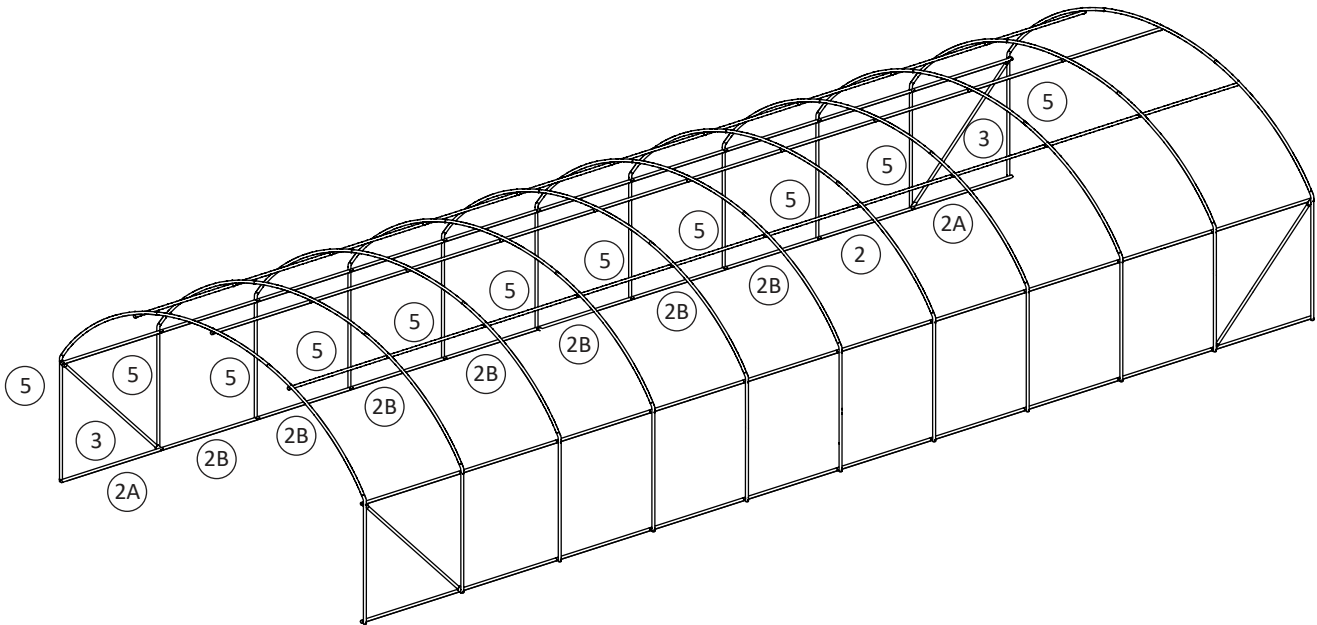
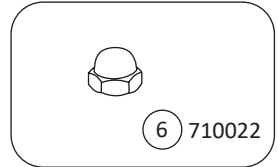
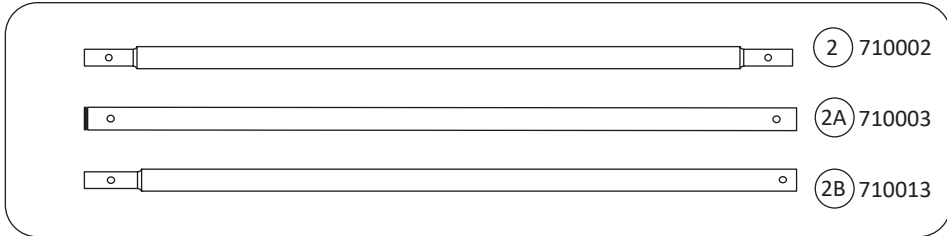
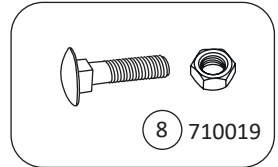
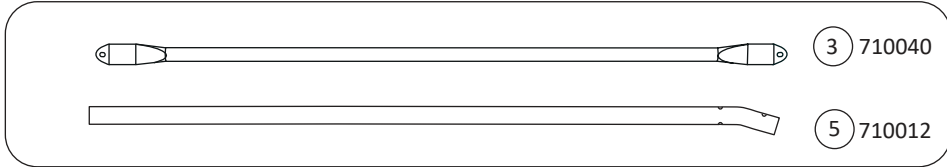
 **FGWH-L1-Q1 4 m x 10 m**


2



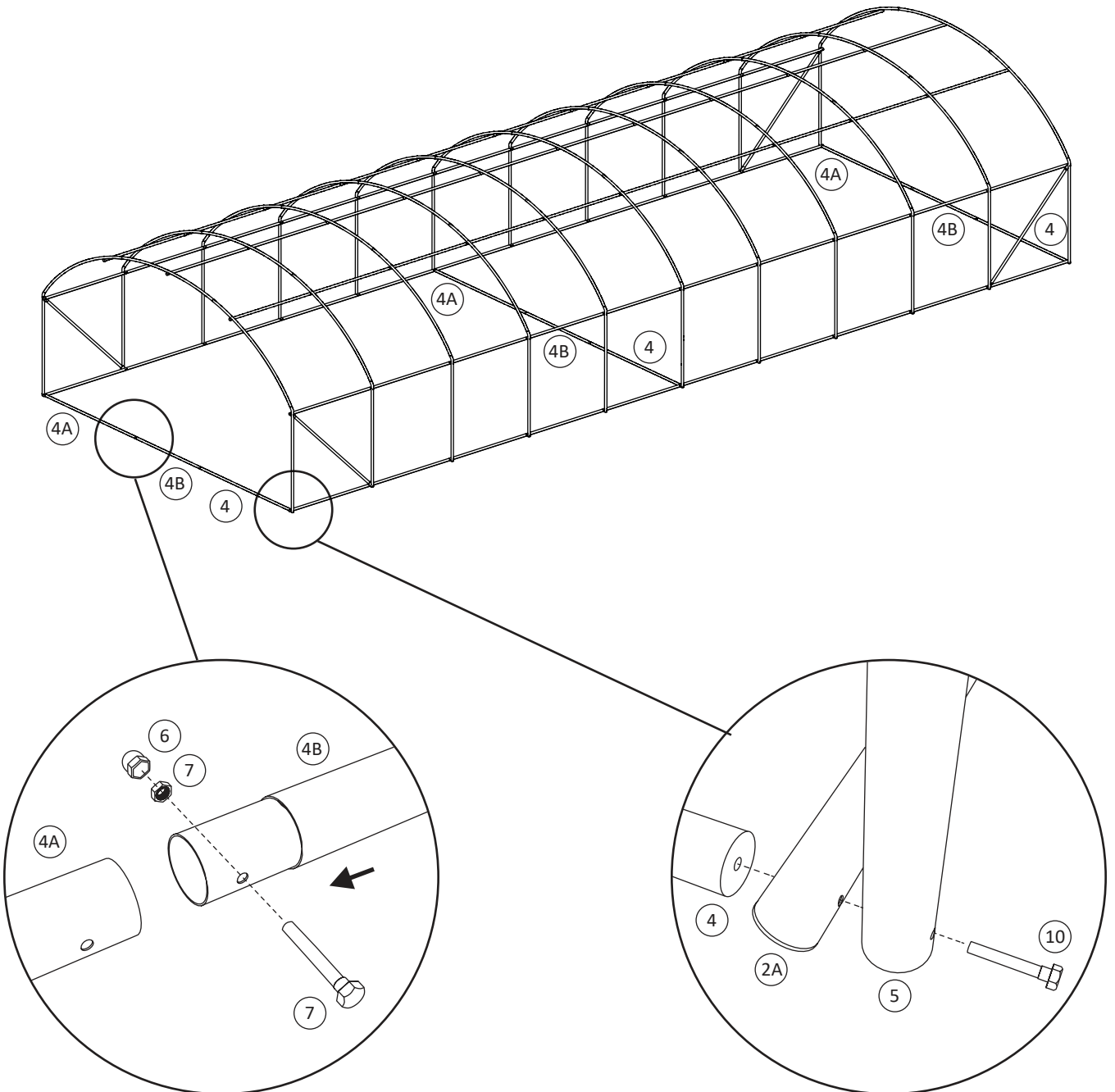
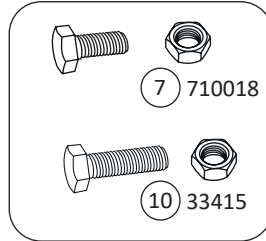
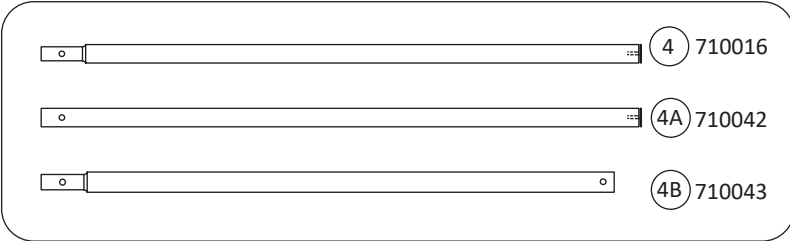
 **FGWH-L1-Q1 4 m x 10 m**


3



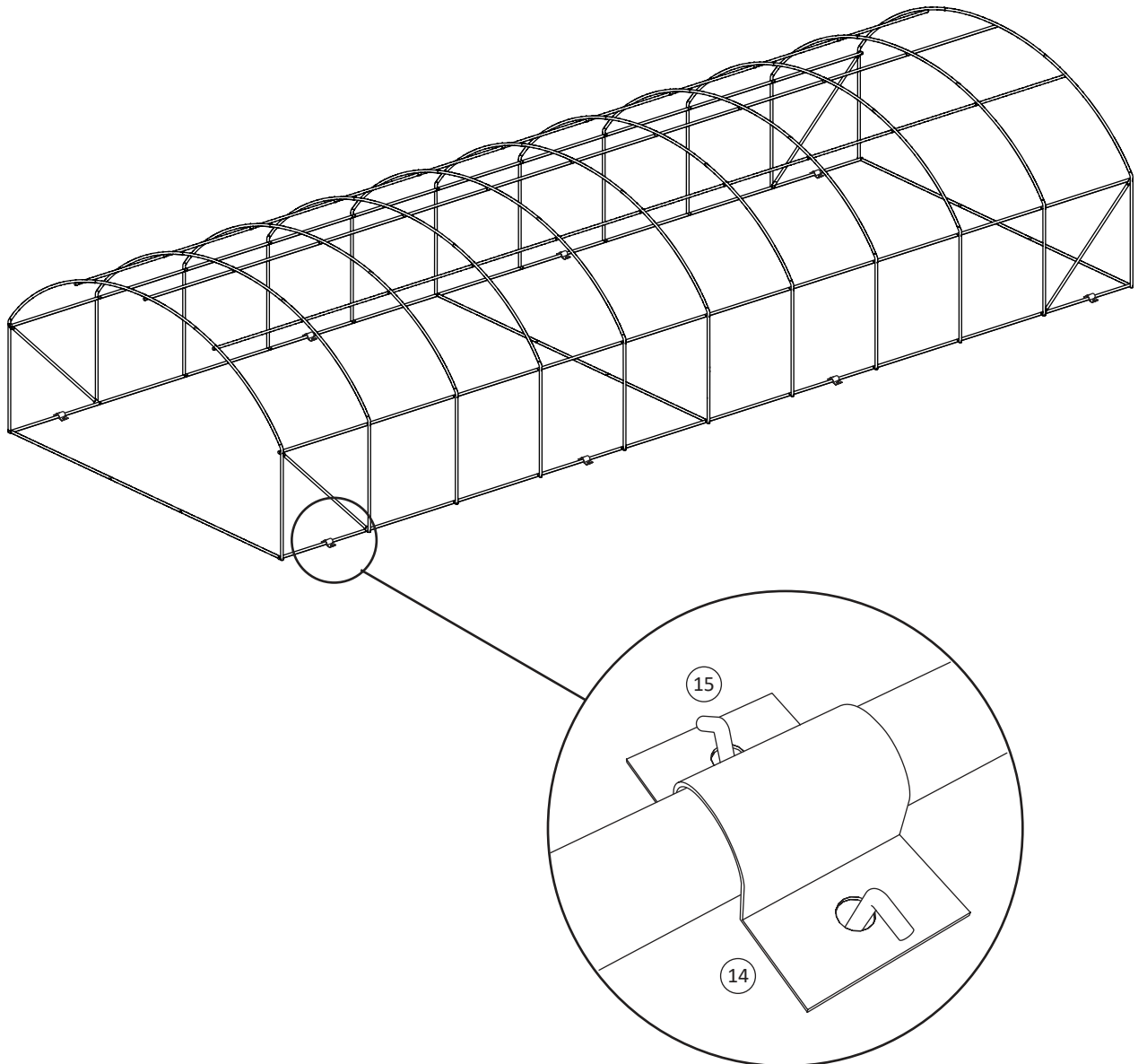
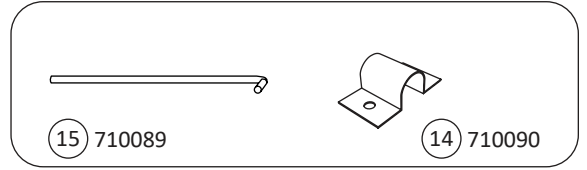
 **FGWH-L1-Q1 4 m x 10 m**


4



 **FGWH-L1-Q1 4 m x 10 m**

5



 **FGWH-L1-Q1** 4 m x 10 m

6

