

- 01. Upper wing plate
- 02. Swage block
- 03. Pin for upper wing plate
- 04. Pin for swage block
- 05. Circlip Ø18mm for shaft
- 06. Bending die
- 07. Pump unit
- 08. Lower wing plate
- 09. All-around wheel caster
- 10. Flat washer Ø12mm
- 11. Spring washer Ø12mm
- 12. Hexagon socket head cap screw M12x25

Figure 1

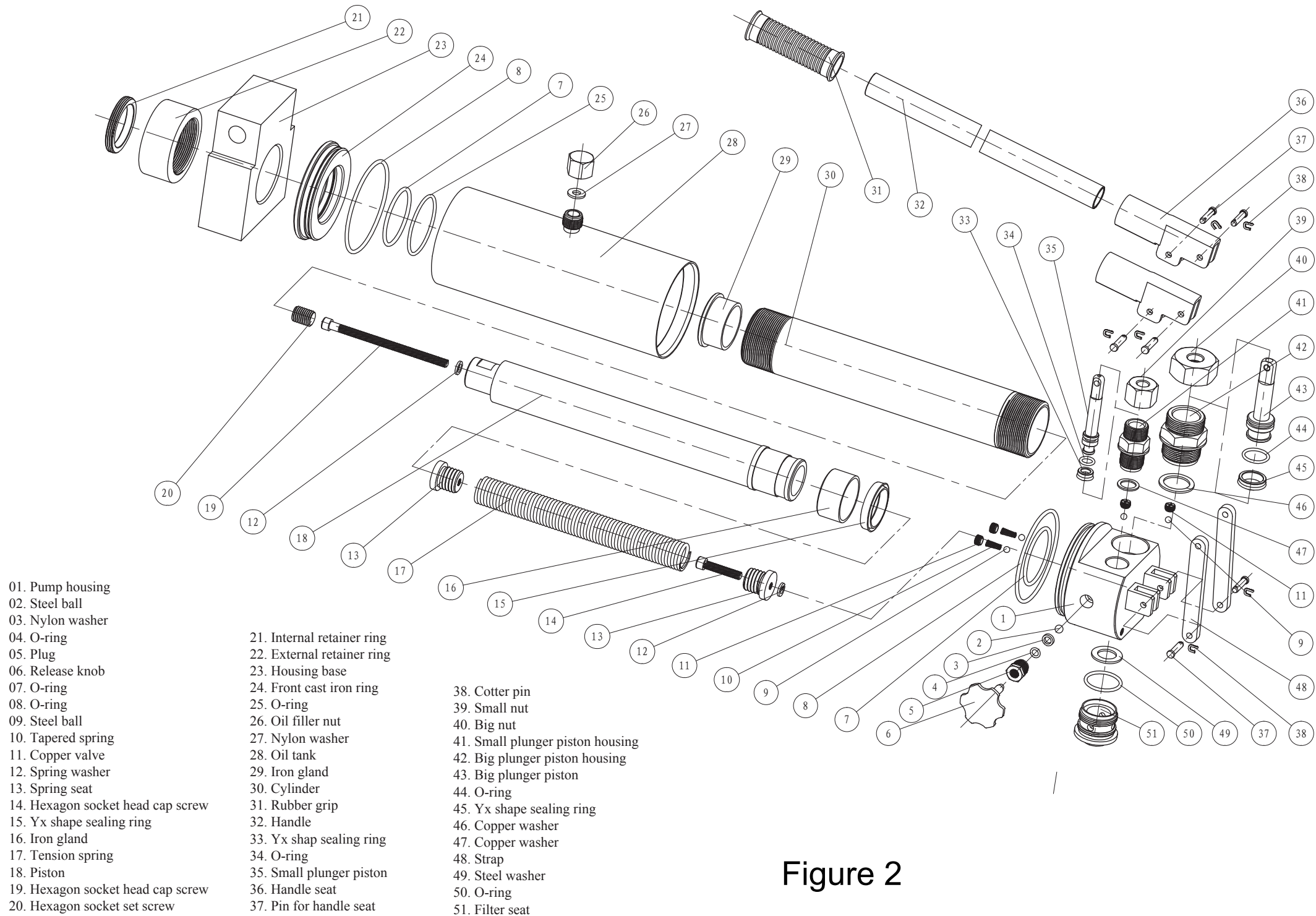


Figure 2