

# TOTAL

One-Stop Tools Station

TOTAL

## BATTERY BRUSH CUTTER

TSTLI20018



# 20V

# Security instructions



## Caveat

Read all safety warnings and all instructions. Failure to follow warnings and instructions may result in battery discharge, fire, and/or serious injury.

Save all warnings and instructions for future reference.

*Note: The term “battery tool” in the warnings refers to your battery-operated (cordless) battery tool. Due to our ongoing R&D&I program, the specifications in this document are subject to change without notice.*

### 1) Work area safety

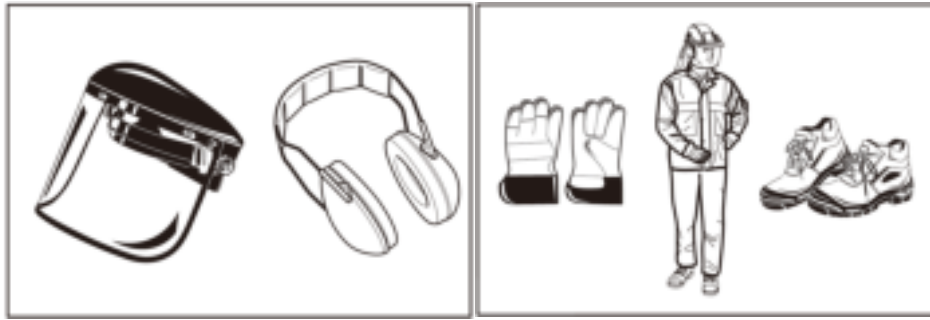
- a. Never allow people who are not familiar with these instructions or children to use the machine. It is dangerous in the hands of untrained users or children.
- b. Make sure anyone who uses the machine reads the manual.
- c. Use the tool with the utmost care and attention.
- d. Use only if you are in good physical condition, do not use if you are tired or unwell. Carry out all work calmly and carefully. Use common sense and keep in mind that the user is responsible for any accidents or hazards that occur to other people or their property.
- e. Avoid accidentally starting the machine.  
Make sure the switch is in the off position before putting in the battery.
- f. The tool should be turned off immediately if it shows signs of abnormal operation.
- g. Do not force the tool. It will do the job better and with less chance of risk of injury at the rate for which it was designed.
- h. Don't overdo it. Maintain posture and balance at all times. Stay alert using common sense.
- i. Keep fingers away from switch trigger when tool is not in use and when moving from one work area to another.

### 2) Intended use of the tool

- a. Use the tool properly. The cordless brush cutter is only designed to cut grass and light weeds. It should not be used for any other purpose, such as trimming borders or hedges, as this may cause injury.
- b. Only use accessories and spare parts recommended by the manufacturer. The use of other accessories/replacements increases the risk of injury.
- c. Have your tool repaired only by your official Total dealer. This will ensure that product safety is maintained.

### 3) Personal protection equipment

- a. Clothing worn must be functional and appropriate.
- b. Do not wear loose clothing or jewelry. They can get caught in moving parts.
- c. You should wear special thick protective gloves and sturdy shoes. Use a protective hair cover to hold back long hair.
- d. To avoid injury to head, eyes, hands, or feet, as well as to protect your hearing, you must wear protective equipment and clothing while operating the machine.

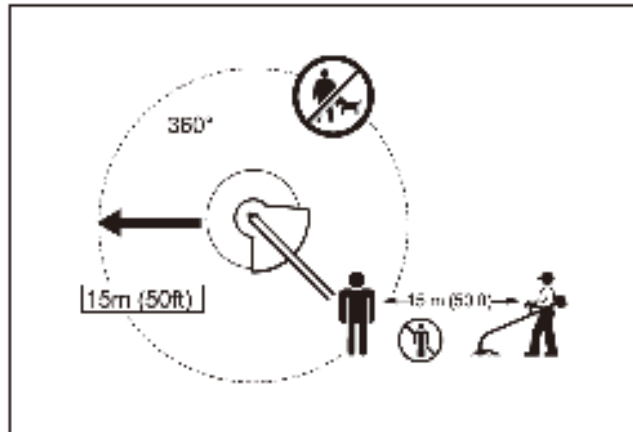


- a. Always wear a helmet where there is a risk of falling objects. The protective helmet must be checked at regular intervals for damage and only approved protective helmets must be used.
- b. Wear safety glasses/helmet visor to protect face and eyes from tool.
- c. Use adequate noise protection equipment to avoid hearing problems (ear muffs, ear plugs, specific helmets, etc.).
- d. It is strongly recommended that the user wear protective clothing.
- e. When using the tool, always wear special protective footwear, resistant and with non-slip soles. This protects against injury.
- f. Wear a dust mask if the job creates dust.

#### 4) Electrical and battery safety

- a. Avoid dangerous environment. Do not use the tool in damp or wet locations or expose it to rain. If water enters the tool, it will increase the risk of electric shock.
- b. Avoid unintentional starting. Make sure the switch is in the off position before connecting to the battery pack, picking up or transporting the machine.
- c. Disconnect the battery pack from the machine before making any adjustments, changing accessories, or storing the machine. These preventive safety measures reduce the risk of the machine starting accidentally.
- d. Use only specifically designated battery packs. Charge only with the charger specified by the manufacturer. An unsuitable charger can create a fire hazard.
- e. When the battery pack is not in use, keep it away from other metal objects that can make a connection from one terminal to another.
- f. Under abusive conditions, fluid can be expelled from the battery; avoid contact. If it comes into contact with the eyes, seek medical help. Liquid expelled from the battery can cause irritation or burns.
- g. Do not use a battery pack or machine that is damaged or modified. Damaged or modified batteries may exhibit unpredictable behavior resulting in fire, explosion, or risk of injury.
- h. Do not expose the battery pack or machine to fire or excessive temperatures. Exposure to fire or temperatures above 130°C (265°F) may cause an explosion.
- i. Follow all charging instructions and do not charge the battery or machine outside of the temperature range specified in the instructions. Improper charging or charging at temperatures outside the specified range may damage the battery and increase the risk of fire.
- j. Do not modify or attempt to repair the machine or battery pack except as directed in the use and care instructions.
- k. Do not open or cut batteries. Released electrolyte is corrosive and may damage eyes or skin. May be toxic if ingested.
- l. Do not charge the battery in the rain or in damp places.

## 5) Commissioning of the tool



- a. Make sure there are no children or other people within a working range of 15 meters (50 feet), also pay attention to any animals in the working vicinity. Otherwise, stop using the tool.
- b. Before use, always check that the tool is safe for operation. Check the safety of the nylon cutting head, guard and switch trigger for easy and proper action. Check that the handles are clean and dry and test the on/off function of the switch.
- c. Check for damaged parts before using the tool. A guard or other part that is damaged should be carefully checked to determine if it will function properly and perform its intended function. Check the alignment of moving parts, binding of moving parts, breakage of parts, mounting, and any other condition that may affect its operation. A guard or other part that is damaged must be properly repaired or replaced by an official Total dealer.
- d. Only start the motor when hands and feet are clear of the nylon cutting head.
- e. Before starting, make sure the nylon trimmer head does not come into contact with hard objects such as branches, stones, etc., as the nylon trimmer head will rotate when starting.
- f. Remove any adjusting wrench, adjustable wrench or blade cover before turning on the power tool. An accessory left attached to a rotating part of the power tool can cause serious personal injury.
- g. Make sure there are no electrical wires, water pipes, gas pipes, etc. that may cause a hazard if damaged by use of the tool.

## 6) Operation method

- a. Only use the tool in good light and visibility. During the winter season be careful with slippery or wet areas, ice and snow (risk of slipping). Always ensure a secure base.
- b. Be careful not to injure your feet and hands on the nylon cutting head.
- c. Do not cut above waist height.
- d. Do not climb on a ladder and operate the tool.
- e. Do not climb trees to perform a cutting operation with the tool.
- f. Do not work on unstable surfaces.
- g. Remove sand, stones, nails, etc. that are within the work area. Foreign particles can damage the nylon cutting head.
- h. If the nylon trimmer head hits stones or other hard objects, immediately turn off the engine and inspect the nylon trimmer head.
- i. Before starting to cut, the nylon cutting head must have reached the maximum working speed.

- j. During operation, always hold the tool with both hands. Never hold the tool with one hand during use. Always ensure a secure base.
- k. The nylon cutting head must have the protection. Do not operate tool with guards damaged or without guards installed.
- l. All protective equipment (such as guards supplied with the machine) must be worn during operation.
- m. Except in an emergency, never drop or throw the tool on the ground, as this could seriously damage the tool and cause serious injury.
- n. Never drag the tool on the ground when moving it from one place to another, the tool may be damaged.
- o. Always remove the battery cartridge from the tool:
  - As long as you leave the tool unattended.
  - Before clearing a lock.
  - Before checking, cleaning or working on the tool.
  - Every time the tool starts to vibrate abnormally.
  - Whenever you carry the tool.
- a. Always make sure that the ventilation openings are clean.
- b. The cutting elements continue to rotate after the engine has been switched off.
- c. Do not use power tools in explosive atmospheres, liquids, gases or dust. Power tools create sparks that can ignite dust or fumes.
- d. Take a break to avoid loss of control caused by fatigue. We recommend resting for 10 to 20 minutes every hour.
- e. Hold power tool by insulated gripping surfaces only, as the cutting tool could contact hidden wiring. Cutting tool contacting a "live" wire can make exposed metal parts of the power tool "live" and could give the operator an electric shock.
- f. Do not use the tool on steep slopes.
- g. The shoulder harness must be worn during operation, if supplied with the tool.
- h. Do not start the tool when the cutting tool is entangled in grass clippings.
- i. Before starting the tool, make sure the cutting tool is clear of the ground or other obstacles such as a tree.

## **7) maintenance instructions**

- a. The condition of the nylon cutting head and protection devices must be checked before starting work.
- b. Shut off the engine and remove the battery cartridge before performing maintenance, replacing the cutting head or nylon, and cleaning the tool.
- c. Check for loose fasteners or damaged parts such as cracks in the trimmer head.
- d. Follow instructions for lubricating and changing accessories, if applicable.
- e. When not in use, store the equipment in a dry, indoor location that is locked up or out of the reach of children.
- f. Use only replacement parts and accessories recommended by the manufacturer.
- g. Inspect and maintain the tool regularly, especially before and after use. Have the tool repaired only by an official Total dealer.
- h. Keep the handlebar dry, clean and free of oil and grease.
- i. Always keep the tool in good working condition. Poor maintenance can result in poor performance and shortened tool life.



## Caveat

Use of this product may create dust that contains chemicals that can cause respiratory or other illnesses. Some examples of these chemicals are compounds found in pesticides, insecticides, fertilizers, and herbicides. Your risk from these exposures varies, depending on how often you do this type of work.

To reduce your exposure to these chemicals:

- Work in a well ventilated area
- Work with approved safety gear, such as dust masks that remove particles.

## Save these instructions







## Attention

Safe operation of this machine is only possible when the operating or safety information is fully read and the instructions contained therein are strictly followed.

Do not let comfort or familiarity with the product (gained from repeated use) take the place of strict adherence to the safety rules for the product in question. Incorrect use or non-compliance with the safety rules indicated in this instruction manual can cause serious personal injury.

## Symbols

The symbols used for the tool are shown below.

symbols	
	volts
	DC
	no load speed
	Revolutions per minute

## Important safety instructions for the battery cartridge

1. Before using the battery, read all instructions and cautionary markings on:
  - a. The battery charger
  - b. Battery
  - c. Product
2. Do not disassemble the battery cartridge.
3. If the operating time has been shortened excessively, stop using it immediately. It can result in overheating, possible burns, and even an explosion.
4. If electrolyte gets into your eyes, flush with clean water and seek immediate medical attention. It can result in loss of sight.
5. Do not short circuit the battery cartridge:
  - a. Do not touch the terminals with any conductive material
  - b. Avoid storing the battery cartridge in a container with other metallic objects such as nails, coins, etc.
  - c. Do not expose the battery cartridge to water or rain.  
*Note: A short circuit in the battery can cause a large current flow, overheating, possible burns and even a breakdown.*
6. Do not store the tool or battery cartridge where the temperature may reach or exceed 50°C (122°F).
7. Do not incinerate the battery cartridge even if it is badly damaged or completely spent. The battery cartridge may explode in case of fire.

8. Be careful not to drop or hit the battery.
9. Do not use a damaged battery.
10. Lithium-ion batteries are subject to the requirements of the dangerous goods legislation.
11. Follow local regulations regarding battery disposal.

*Note: Use only manufacturer-approved batteries. The use of non-original batteries or altered batteries may cause battery explosion or serious personal injury.*

### Tips for maintaining maximum battery life

1. Charge the battery cartridge before it is fully discharged. Always stop tool operation and charge the battery cartridge when you notice less power from the tool.
2. Never recharge a fully charged battery. Overcharging shortens battery life.
3. Charge the battery cartridge at room temperature 10°C to 40°C (50°F to 104°F). Let a hot battery cartridge cool down before charging it.
4. Charge the battery cartridge if you do not use it for a long time (approx. more than six months).

## Safety rules for correct use

	This symbol accompanied by the words Warning/Caution/Attention or the like means warning that can lead to serious injury.
	Read and understand the instruction manual.
	Wear eye and ear protection as well as dust protection.
	Wear foot protection footwear.
	Wear protective gloves for your hands.
	Beware of objects thrown or hit by the cutting accessories. Never use the tool without the guard and make sure it is properly installed.
	Keep anyone outside the work at least 15 meters away.
	Do not use it in the rain or leave it outdoors while it is raining.
	Do not use round discs.
	max. output shaft speed (rpm)
	Be careful with projected objects.
	Keep bystanders away

## Technical data

Data sheet		
<b>No load speeds</b> (At each level of rotation speed)	Nylon cutting head	2: 6,500/min 1:5,000/min
<b>Cutting diameter</b>		255mm
<b>Cutout diameter</b>		330mm
<b>Voltage</b>		40V

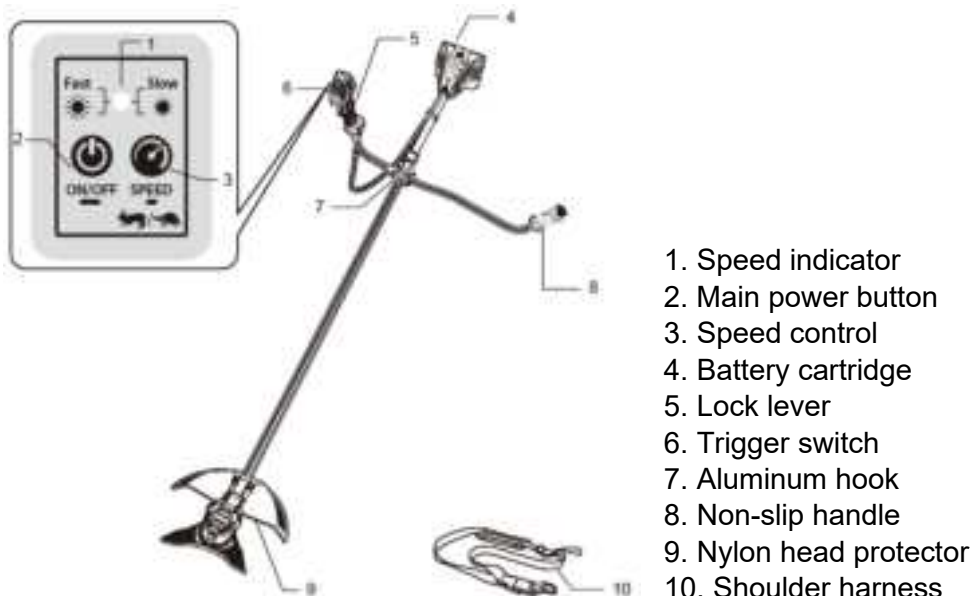


### Caution

The vibration emission value during actual use of the power tool may differ from the declared value depending on the ways the tool is used, according to the following examples and other variations:

- How the tool is used.
- The tool is in good condition and properly maintained.
- Use the correct accessory for the tool and make sure it is in good condition.
- The strength of the grip on the handles and any vibration on the accessories are used.
- The tool is being used as intended by its design and these instructions.
- This tool can cause hand-arm vibration syndrome if its use is not managed properly.

## Product description



*Note: Safe use of this product requires an understanding of the information about the product in this user manual, as well as knowledge of the work you are performing. Before using this product, familiarize yourself with all operating features and safety regulations.*

*Note 2: Not all accessories illustrated or described in this manual need to be included in the standard delivery.*

# Commissioning and operation



## Caveat

Always make sure the tool is turned off and the battery cartridge has been removed before adjusting or checking the function of the tool.

Failure to turn off and remove the battery cartridge could result in serious personal injury from accidental starting.

## Mounting

Installing or removing the battery cartridge

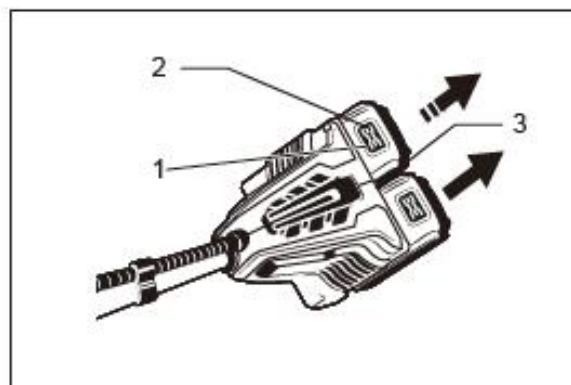


## Caution

Always turn off the tool before installing or removing the battery cartridge.

Always install the battery cartridge fully until the red indicator is no longer visible. Otherwise, it may accidentally fall off the tool and cause injury to you or someone around you.

Do not install the battery cartridge forcibly. If the cartridge does not slide in easily, it is not being inserted correctly.

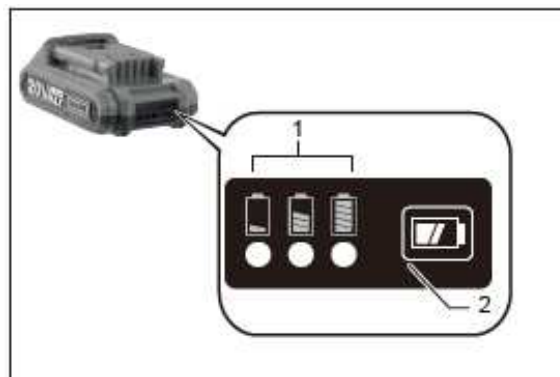


1. Red indicator 2. Button 3. Battery cartridge

- **To remove the battery cartridge:** Slide it out of the tool while sliding the button on the front of the cartridge.
- **To install the battery cartridge:** Align the tab on the battery cartridge with the slot on the casing and slide it into place. Insert it all the way until it clicks into place with a small click. If you can see the red indicator at the top of the button, it is not completely locked.

## Remaining battery capacity indication



(Only for battery cartridges with indicator)



1. Battery indicators 2. Check button

## Correct combination of cutting tool and guard

Always use the correct combination of cutting tool and guard. An incorrect combination may not protect you from the cutting tool, flying debris and stones. It can also affect the balance of the tool and cause injury.

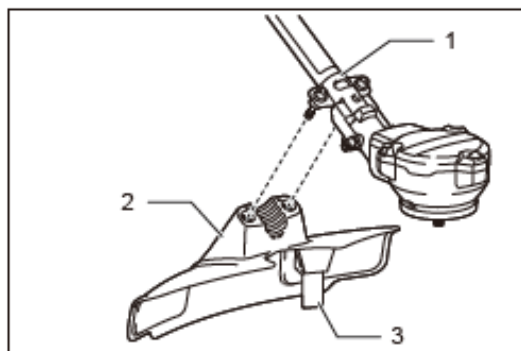
cutting tool	Protective
 nylon head	

## Shield Installation

### **Caveat**

Always use the tool with the guard illustrated. Failure to use it may cause serious personal injury. Take special care when using the cutter to cut the nylon cord.

- Attach the guard to the bracket with screws.

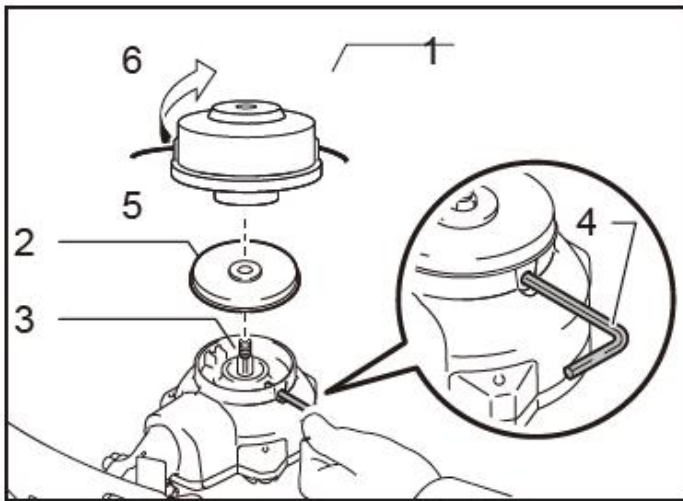


1. Clamp 2. Guard 3. Cutter

## Installation of the cutting tool

- Always use the supplied wrench(es) to remove or install the cutting tool.
- Be sure to remove the hex key inserted in the tool head after installing the cutting tool.

*Note: Be sure to use an original Total nylon trimmer head.*



1. nylon head
2. receiving washer
3. spindle
4. Hex wrench
5. To squeeze
6. Loosen up

- Insert the hex key through the hole in the tool head to lock the shaft.
- Rotate the shaft until the hex key is fully inserted.
- Put the nylon cutting head on the spindle and tighten it firmly by hand.
- Remove the hex key from the tool head.

*Note: To remove the nylon trimmer head, reverse the installation procedures.*

## Start up

### Shoulder Harness Donning



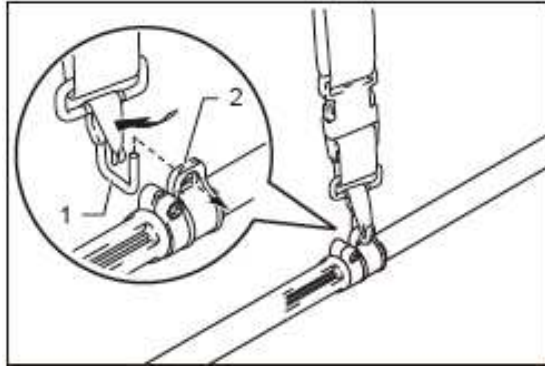
### Caution

Always use the shoulder harness attached to the tool. Before the operation, adjust the shoulder harness according to the size of the user to avoid fatigue. Before operation, make sure the shoulder harness is properly attached to the tool hanger.

1. Put the shoulder harness on your left shoulder.

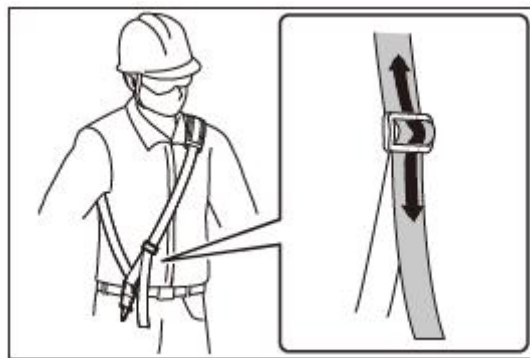


2. Attach hook to machine hanger.

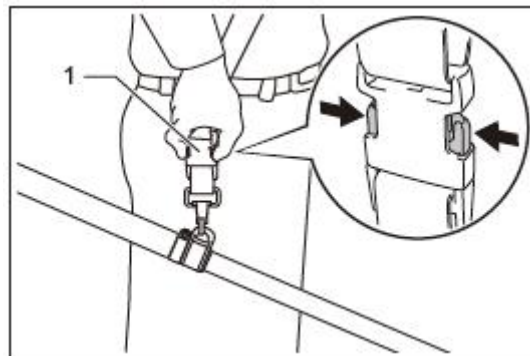


1. Hook      2. hanger

3. Adjust the shoulder harness to a comfortable working position.



4. The shoulder harness features a quick release media. Simply squeeze the sides of the buckle to release the tool from the shoulder harness.



1. Buckle

Correct handling of the tool.

### **Caveat**

Always place the tool to your right. Proper tool positioning allows maximum control and will reduce the risk of serious personal injury.

- Take great care to maintain control of the tool at all times.
- Failure to maintain control of the tool can result in serious injury to bystanders and the operator.
- To avoid accidents, keep more than 15 m (50 ft) of distance between operators when two or more operators work in an area. In addition, there must be a person



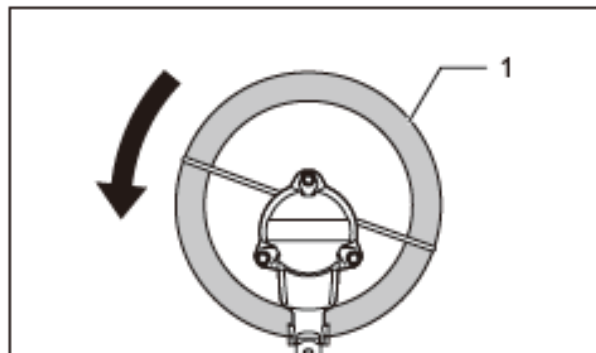
who observes the distance between the operators. If someone or an animal enters the work area, immediately stop the operation.

- If the cutting tool accidentally hits a rock or hard object during operation, stop the tool and inspect for damage. If the cutting attachment is damaged, replace it immediately. Using a damaged cutting tool can cause serious personal injury.
- Correct positioning and handling allow optimal control and reduce the risk of injury.



When using a nylon head (bump and go type)

- The nylon head is a double line trimmer head fitted with a bump and feed mechanism.
- To remove the nylon line, tap the trimmer head against the ground while turning.



**Most effective cutting area**

- The bump feed will not work properly if the nylon cutting head is not rotating.
- If the nylon cord does not come off while hitting the head, rewind/replace the nylon cord following the procedures in the maintenance section.

## Maintenance and cleaning

Always make sure the tool is turned off and the battery cartridge has been removed before attempting to perform any inspection or maintenance on the tool. Failure to turn off and remove the battery cartridge could result in serious personal injury from accidental starting.

Never use gasoline, thinner, alcohol or the like to clean the tool. May result in discoloration, warping, or cracking.

To maintain the safety and reliability of the product, repairs, any other maintenance or adjustments must be carried out by your official Total dealer.

## Replacement of the nylon cord



### Attention

Use only the nylon cord with the diameter specified in this instruction manual. Never use thicker line, metal wire, string or the like. Failure to do so may cause damage to the tool and result in serious personal injury.

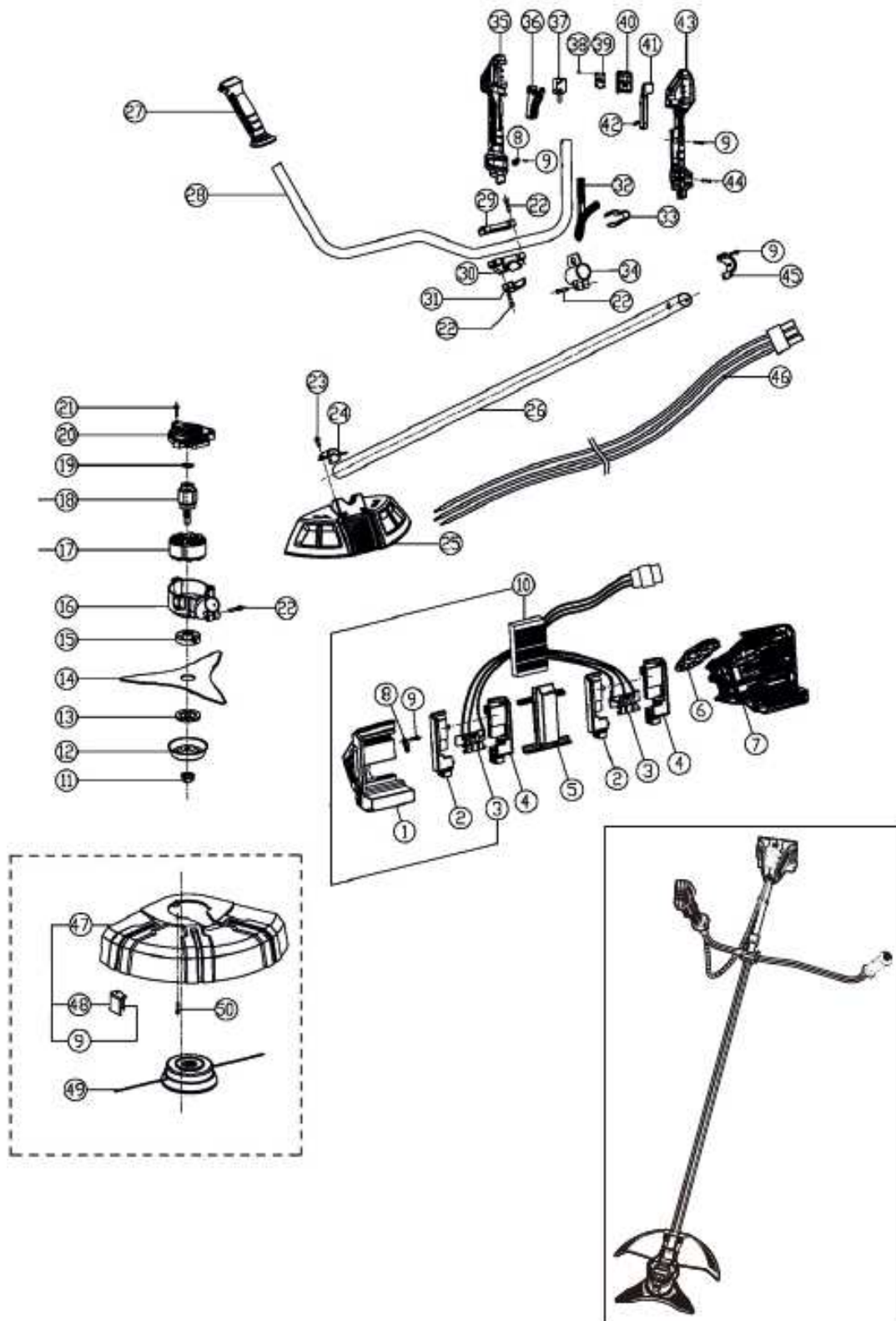
- Always remove the nylon cutting head from the tool when replacing the nylon cord.
- Make sure the nylon trimmer head cover is securely fastened to the housing. Failure to properly secure the guard can cause the nylon trimmer head to fly and cause serious personal injury.
- Replace the nylon cord if it no longer feeds. The method of replacing the nylon line varies depending on the type of nylon trimmer head.

## Environment



- Do not dispose of electrical appliances as unsorted municipal waste, use separate collection facilities.
- Contact your local authority for information on available collection systems.
- If electrical appliances are disposed of in landfills, hazardous substances can seep into the groundwater and enter the food chain, harming your health and well-being.
- Recycle raw materials instead of disposing of them as waste.
- The machine, accessories and packaging must be sorted for environmentally friendly recycling.
- Plastic components are labeled for categorized recycling.

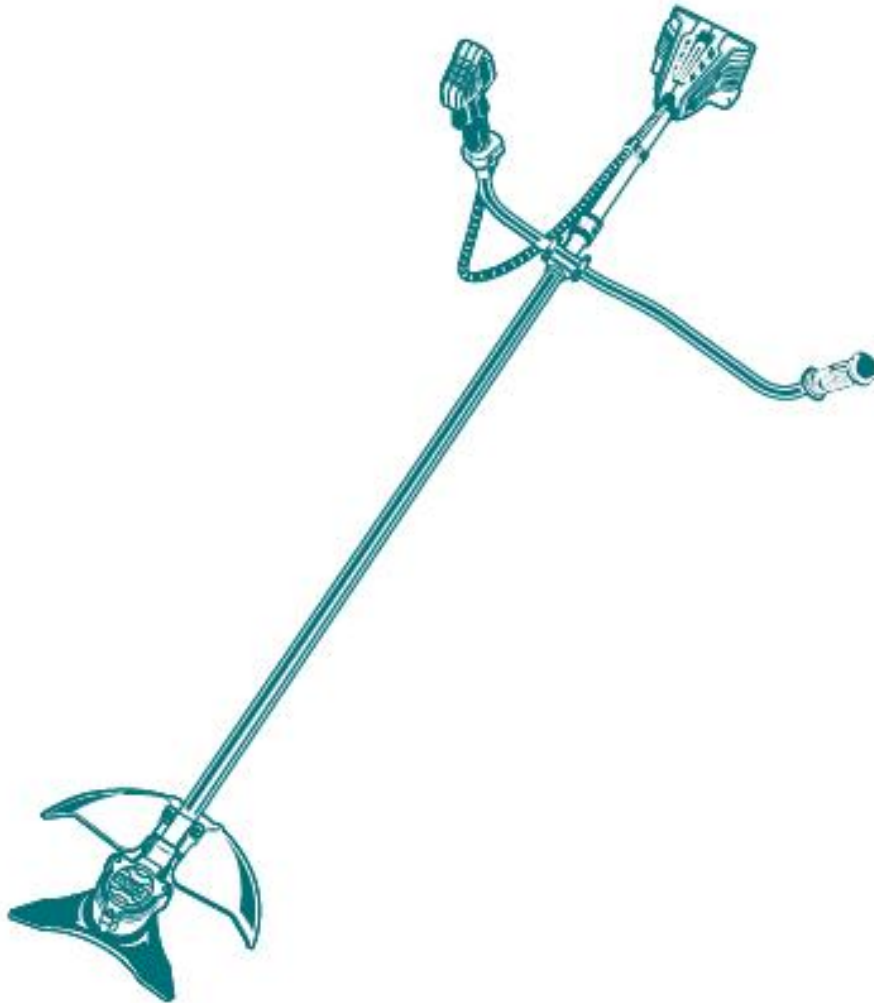
# Exploded view



# TOTAL

One-Stop Tools Station

TOTAL



**BATTERY BRUSH  
CUTTER**

**20V**