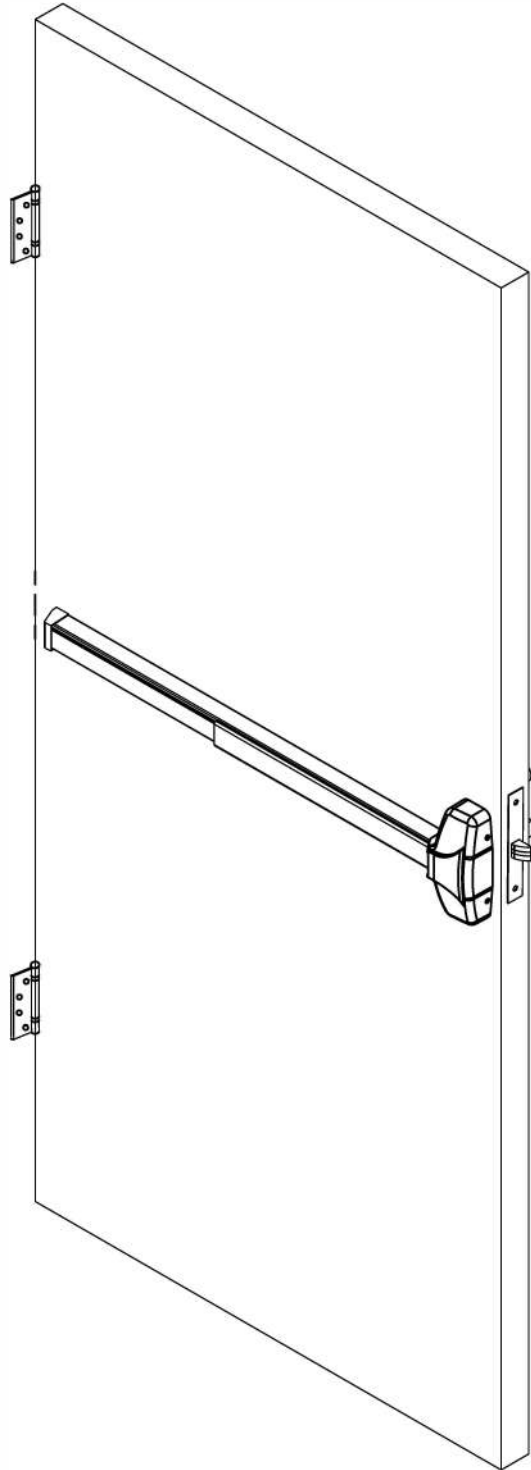
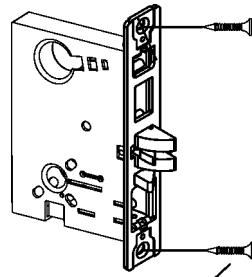


INSTALLATION INSTRUCTIONS MORTISE DEVICE

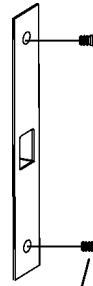


Mortise Lock



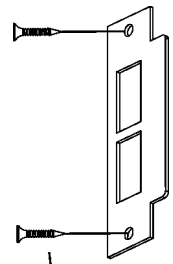
Backplate Screws

Armor Front

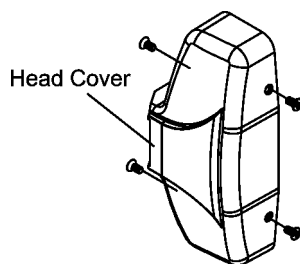
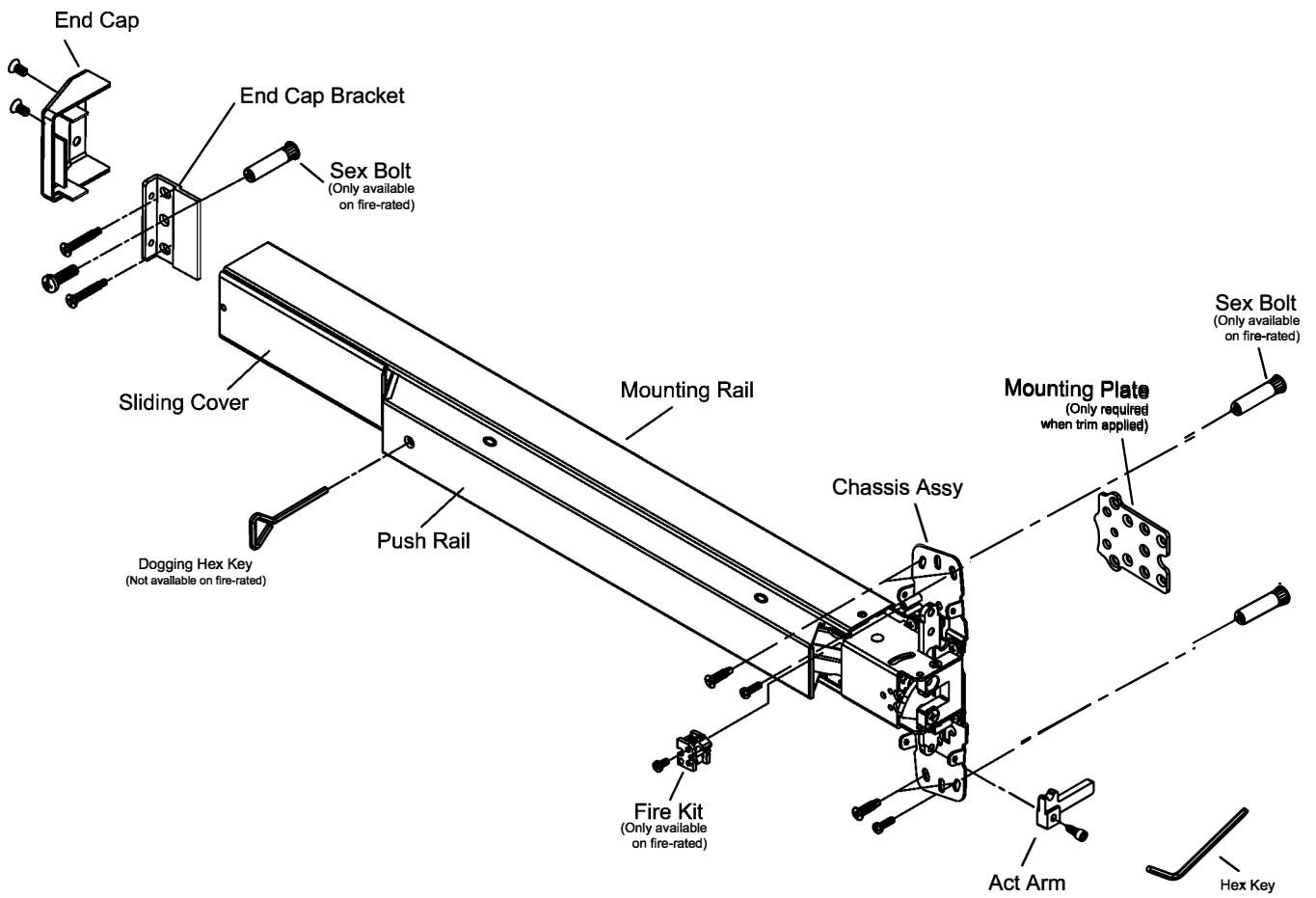


Armor Front Screws

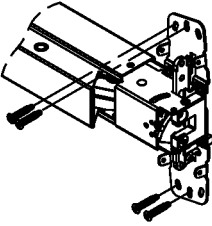


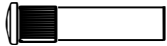
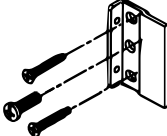


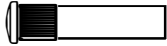






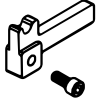

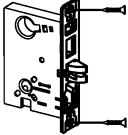

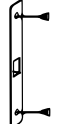

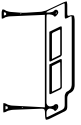

Strike



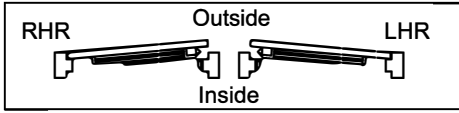
Strike Screws



SCREW CHART

APPLICATION	METAL	WOOD	SEX BOLTS
<p>Chassis Assy Screws</p> 		<p>ST4.8x 5/8" (4 pcs)</p>	 M6x20 (2 pcs)  M6x10 (2 pcs)
<p>End Cap Bracket Screws</p> 		<p>ST4.8x1 1/4" (3 pcs)</p>	 M6x20 (1 pcs)  M6x10 (1 pcs)
<p>Head Cover Screws</p> 			<p>M4x8 (4 pcs)</p>
<p>End Cap Screws</p> 			<p>M4x8 (2 pcs)</p>
<p>Fire Kit Screws</p> 			<p>M4x8 (1 pcs)</p>
<p>Act Arm Screws</p> 			<p>M5x16 (1 pcs)</p>
<p>Backplate Screws</p> 			<p>M5x25 (2 pcs)</p>
<p>Armor Front Screws</p> 			<p>M4x6 (2 pcs)</p>
<p>Strike Screws</p> 			<p>M5x25 (2 pcs)</p>

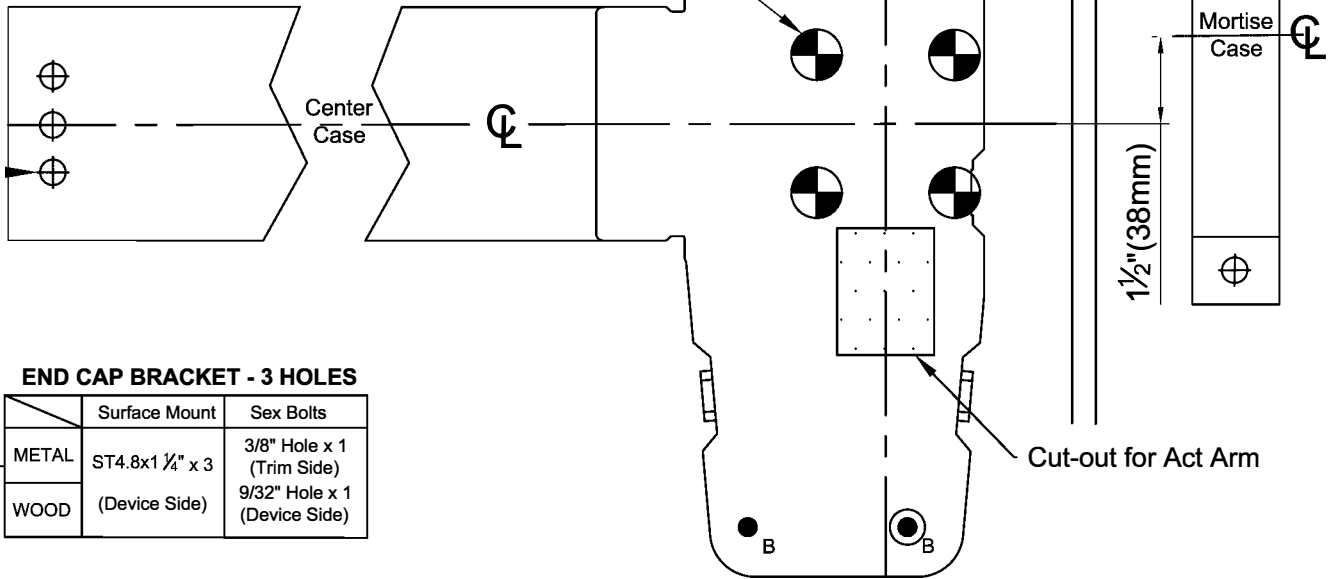
DOOR PREPARATION CHART



CENTER CASE - 4 HOLES

	Surface Mount	Sex Bolts
METAL	ST4.8x 5/8" x 4 (Device Side)	3/8" Hole x 2 (Trim Side) 9/32" Hole x 2 (Device Side)
WOOD		

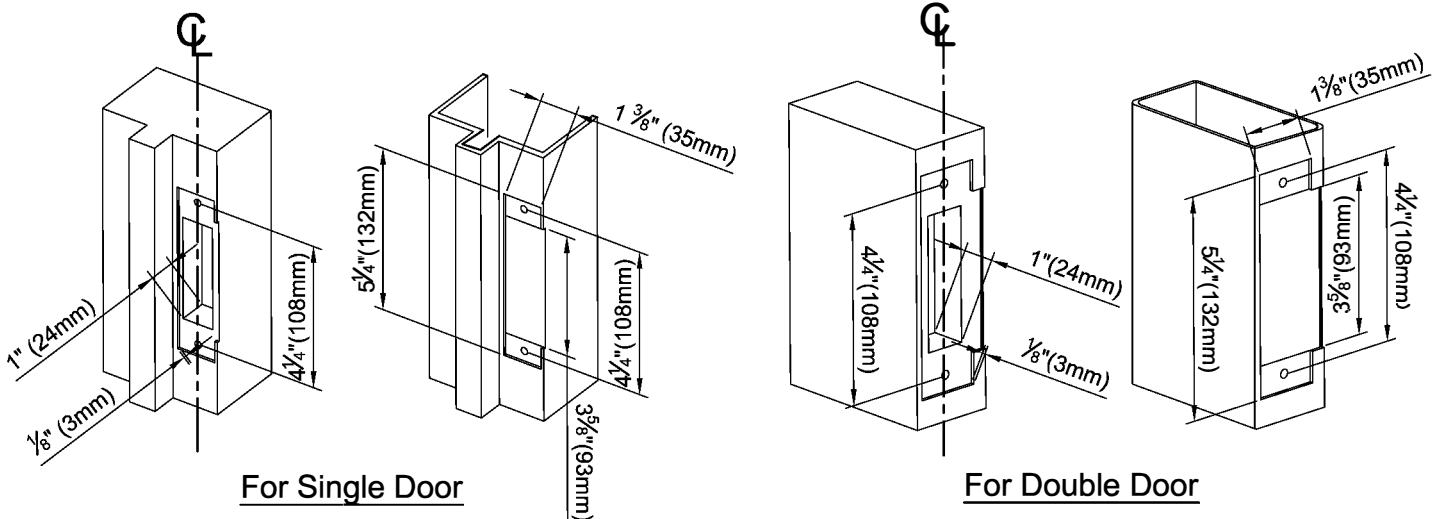
Drill four (4) $\phi 11$ holes on the door for exterior trim installation (See Template)



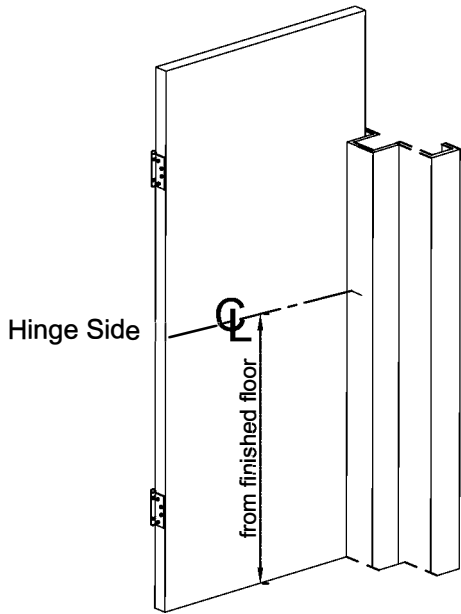
END CAP BRACKET - 3 HOLES

	Surface Mount	Sex Bolts
METAL	ST4.8x1 1/4" x 3 (Device Side)	3/8" Hole x 1 (Trim Side) 9/32" Hole x 1 (Device Side)
WOOD		

STRIKE PREPARATION

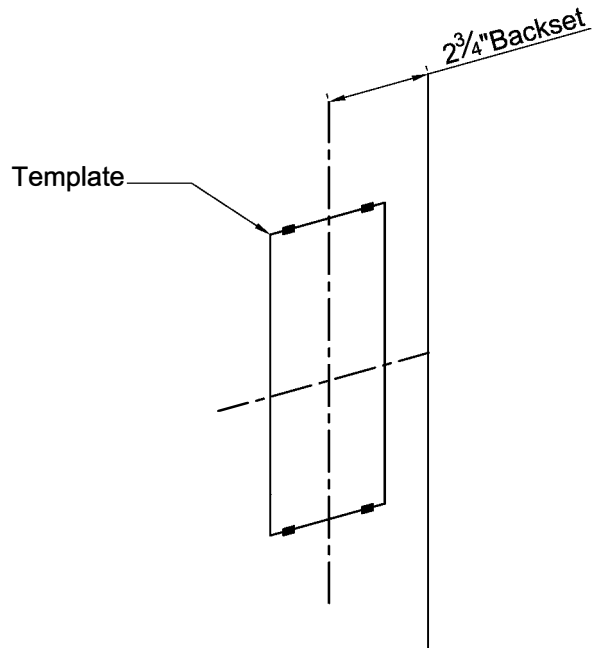


1 DARW HORIZONTAL DEVICE CENTERLINE (☉)



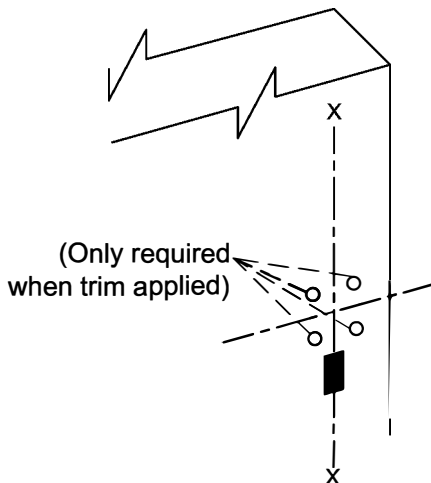
Close door, mark horizontal centerline on inside face of door and on lock side door stop from finished floor as shown. (Continue horizontal centerline to outside face of door if trim is used)

2 ALIGN TEMPLATE ALONG CENTERLINE AND MARK DOOR.



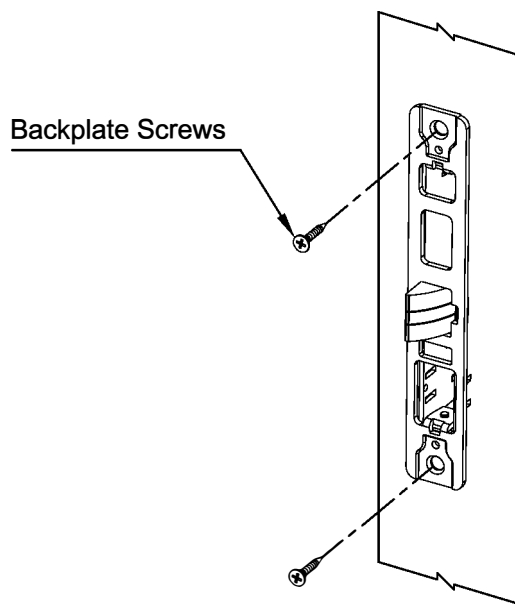
Mark 4 center case holes. Mark vertical centerline at lock side using 2 3/4" backset dimension.

3 PREPARE 4 CHASSIS ASSY HOLES AND MORTISE LOCK CUTOUTS.



Mark vertical centerline at lock side using 2 3/4" backset dimension (if trim is using mark vertical centerline on the outside face of door. Use extra care if edge of door is beveled, be sure X-X vertical centerline is parallel to edge of door).

4 INSTALL MORTISE LOCK INTO DOOR.

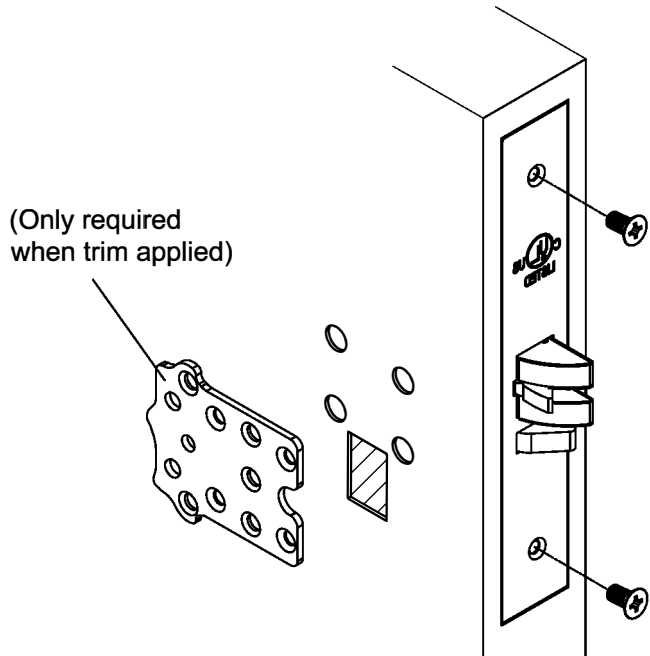


Install mortise lock into door and fasten with backplate screws.

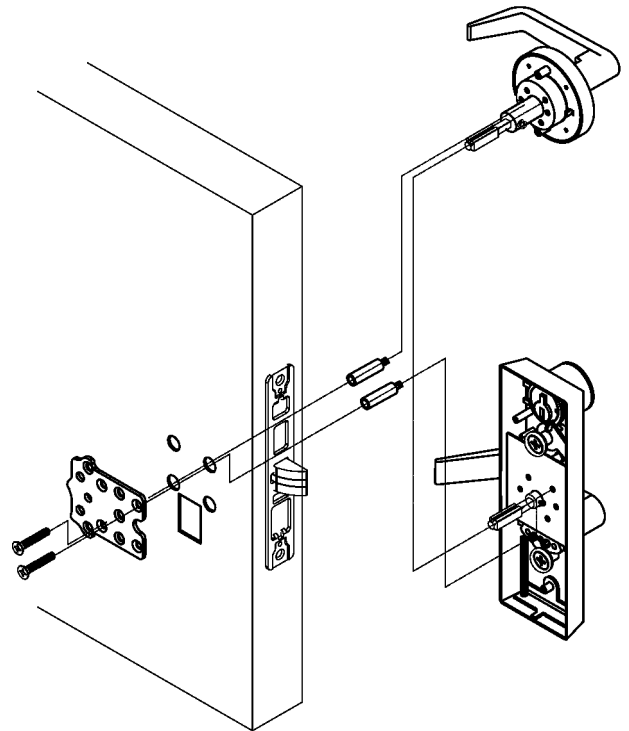
5 INSTALL MORTISE LOCK

Install face plate of mortise lock. Then, fix the mounting plate on the mortise lock by two screws.

(This mounting plate is only for exit device, when no exterior trims installed.)



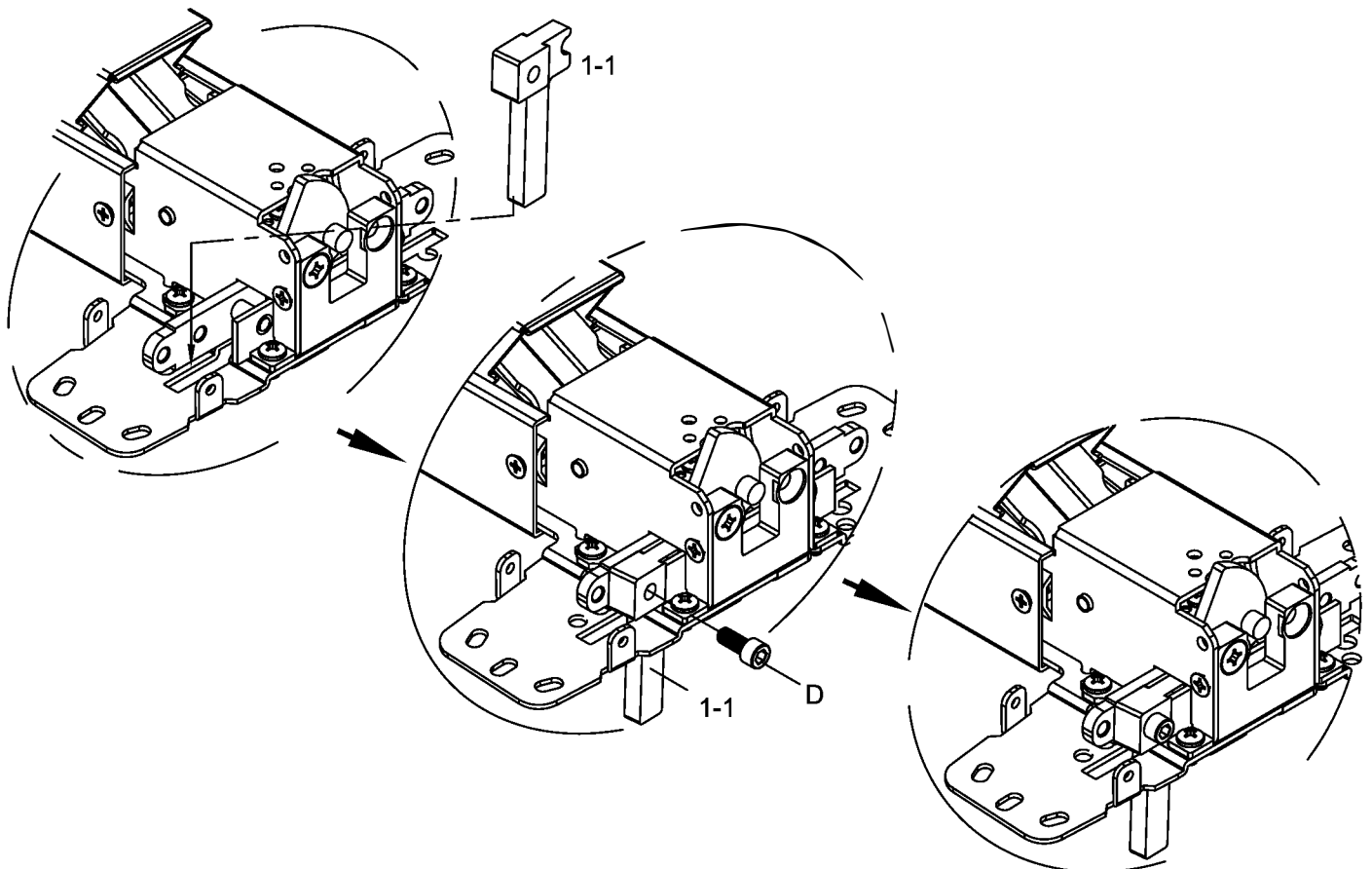
6 INSTALL TRIM (IF USING) TO DOOR.



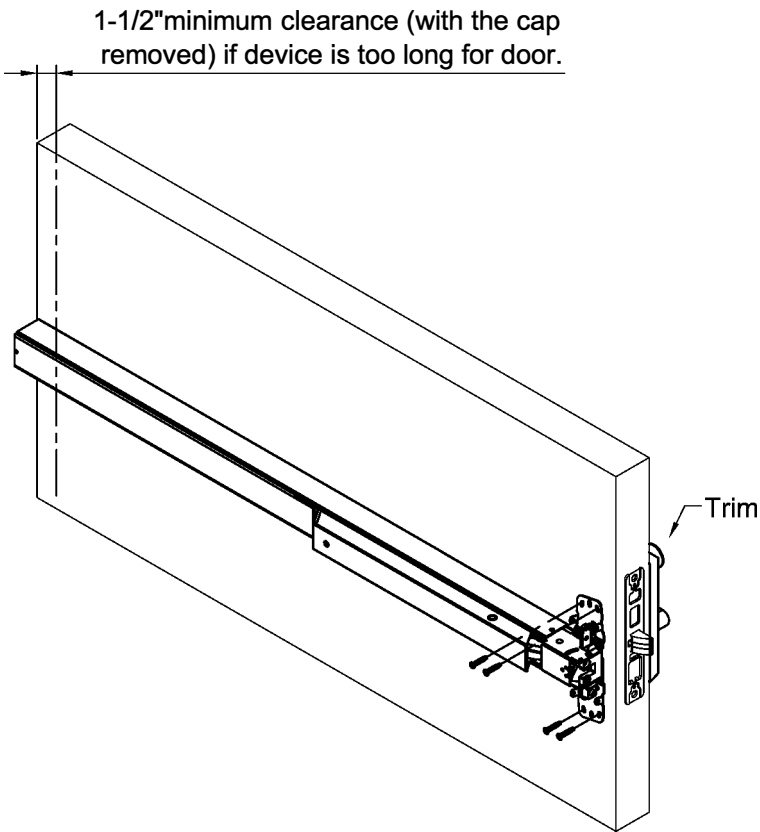
For Exterior Trims:

Support screws are required for installation. Need to drill four (4) holes on the door (please refer to TEMPLATE) and only needs two (2) screws to fix the exterior trim (refer to TEMPLATE of Exterior Trim, accordingly)

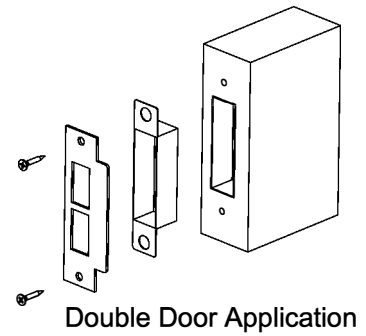
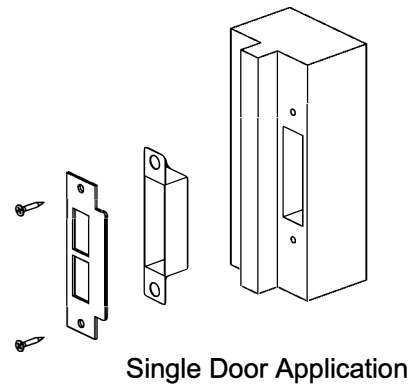
7 INSTALL ACT ARM (Standard handed is RHR as shown)



8 SECURE DEVICE CHASSIS ASSY

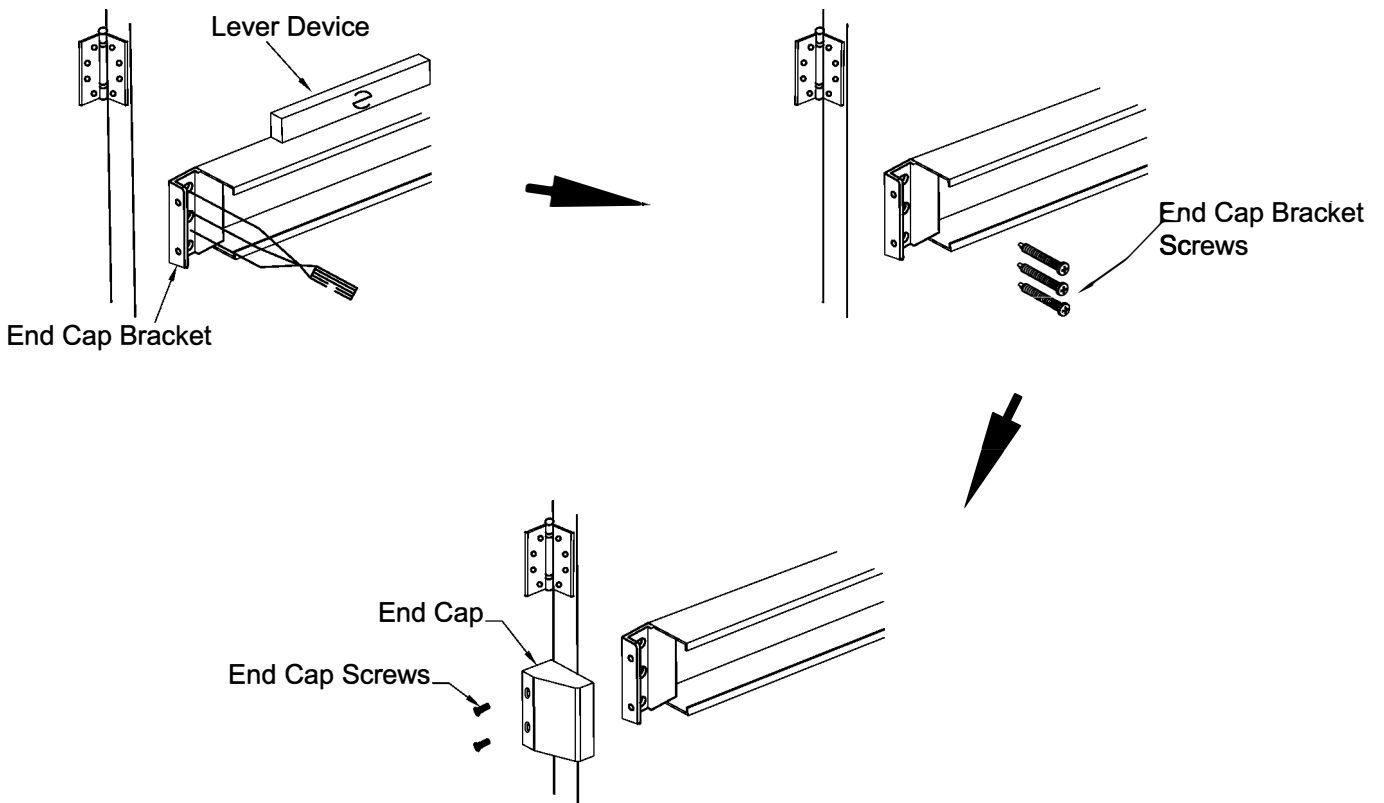


9 INSTALL SUPPLIED STRIKE TO FRAME OR OTHER DOOR

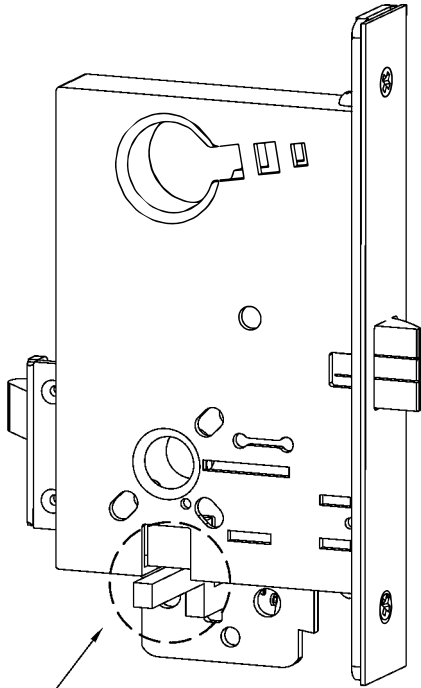


See "STRIKE PREPARATION" before for preparation information.

10 INSTALL MOUNTING BRACKET AND END CAP.

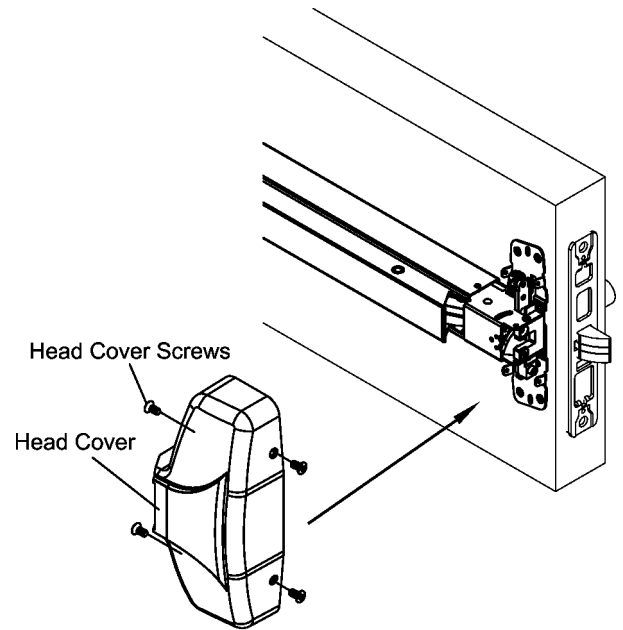


11 ADJUSTING LATCH BOLT



Adjust to fit proper gap between act arm and thumbpiece part of mortise case.

12 INSTALL HEAD COVER



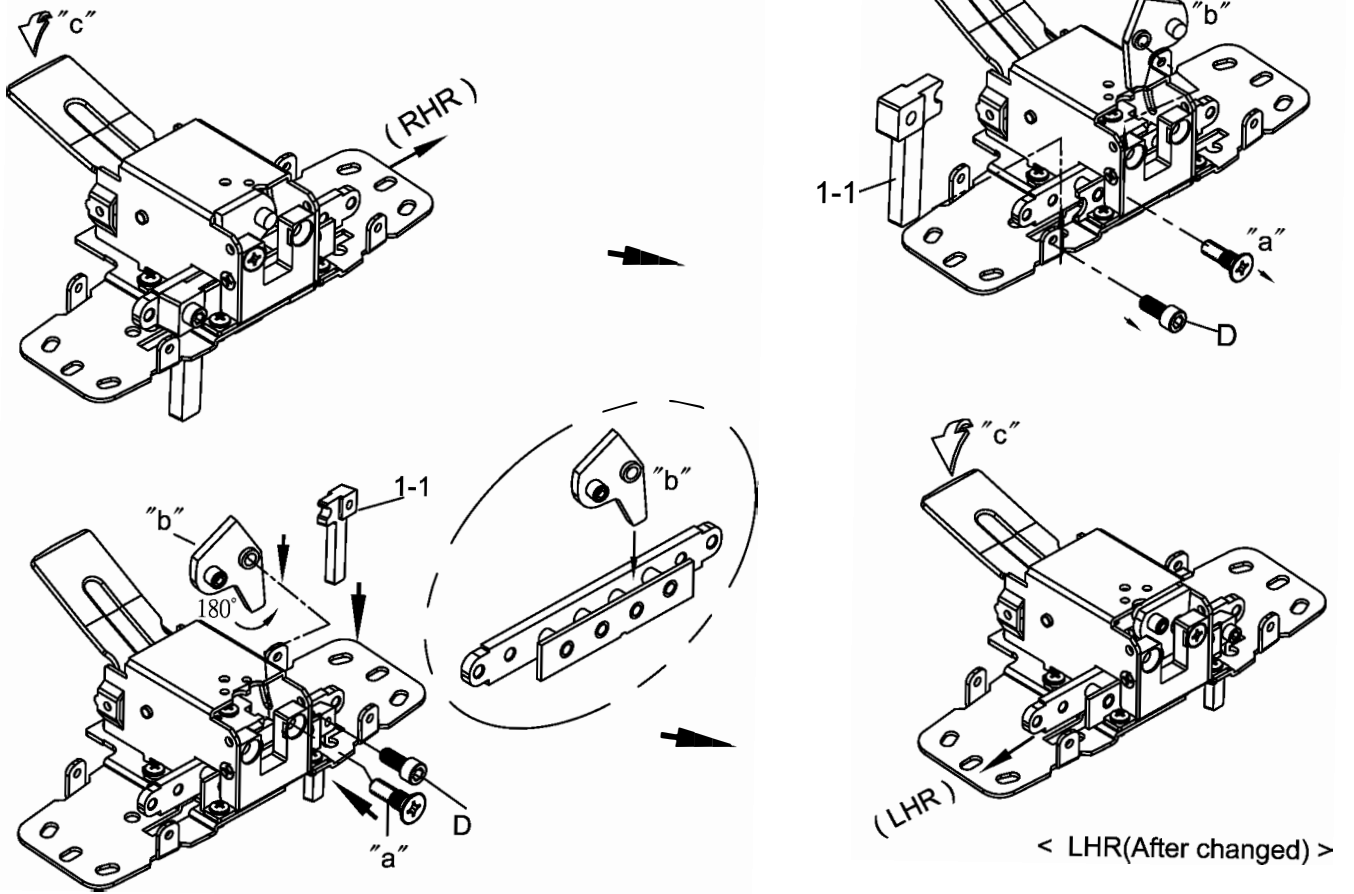
Attach cover to chassis Assy with four (4) chassis Assy screws.

13 TEST PUSH RAIL & THE DOGGING FUNCTION

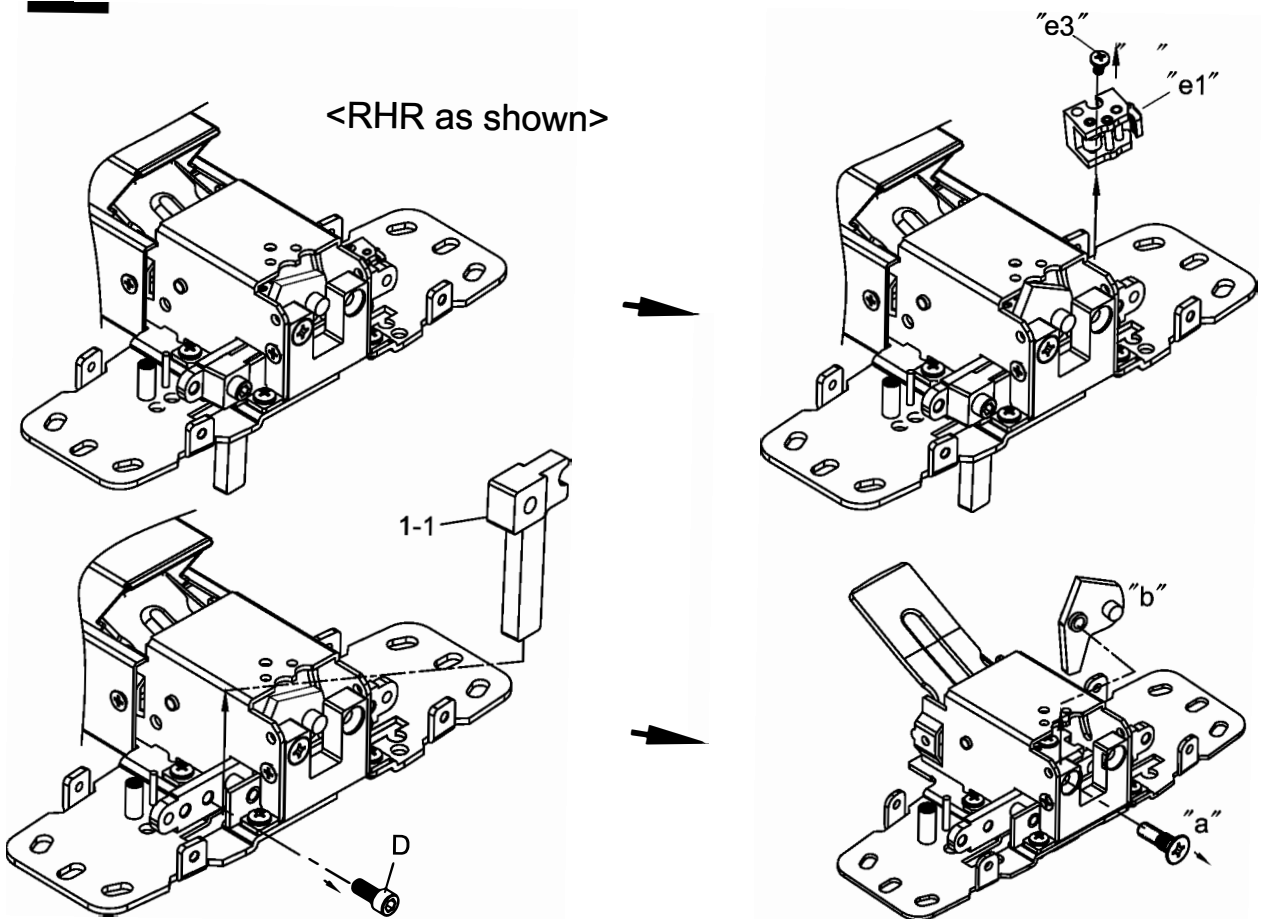
1. The latches should engage the strikes when the door is closed, and the latches should disengage from the strikes freely when the push rail is depressed or dogged down.
2. When applying outside trims:
 - (1).No trims : Exit only, latch bolts are retracted just by the push rail inside.
 - (2).Entrance : latch bolts are retracted by trim outside after the trim unlocked.
 - (3).Storeroom : latch bolts are retracted by trim outside with key only.
 - (4).Passage : latch bolts are retracted by trim outside always open.
- 4.Dogging : Use dogging hex key and turn clockwise 90° when depressing push rail. Latch bolts will remain retracted.

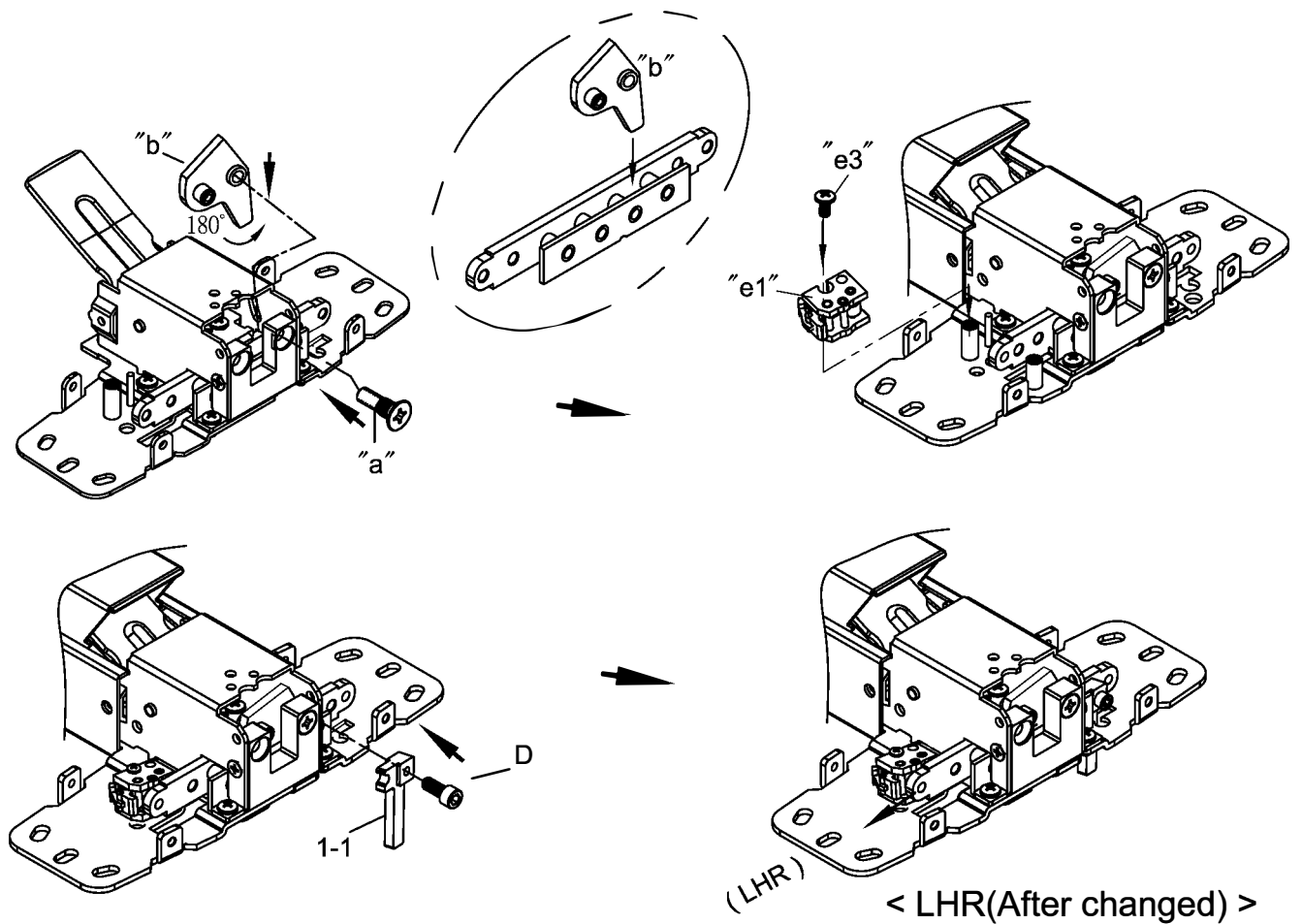
14 CHANGE HANDING OF DEVICE

14A For ANSI type

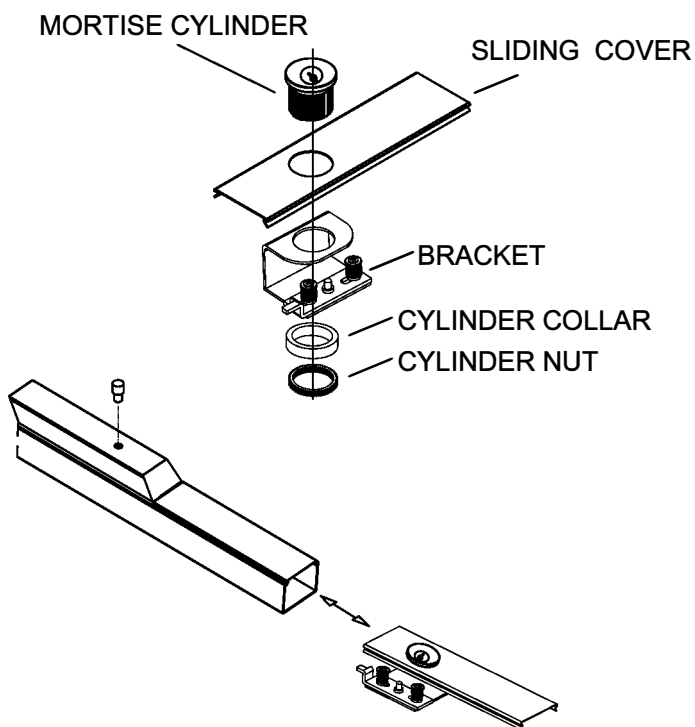


14B For Fire-rated type



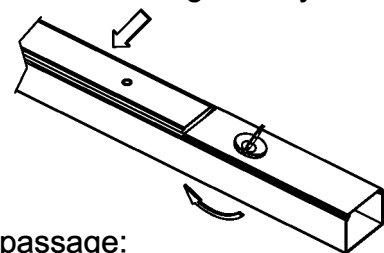


OPTIONAL DOGGING



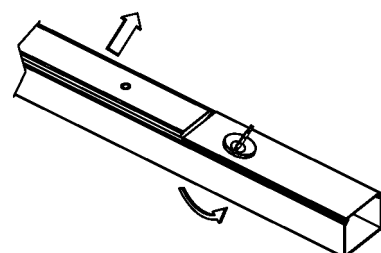
1. Exchange the sliding cover from standard to cylinder dogging kit.
2. Put the plastic plug inside the original dogging hole.

push rail must be pressed down when turning the key



set up to passage:
press down push rail and turn key
counterclockwise.

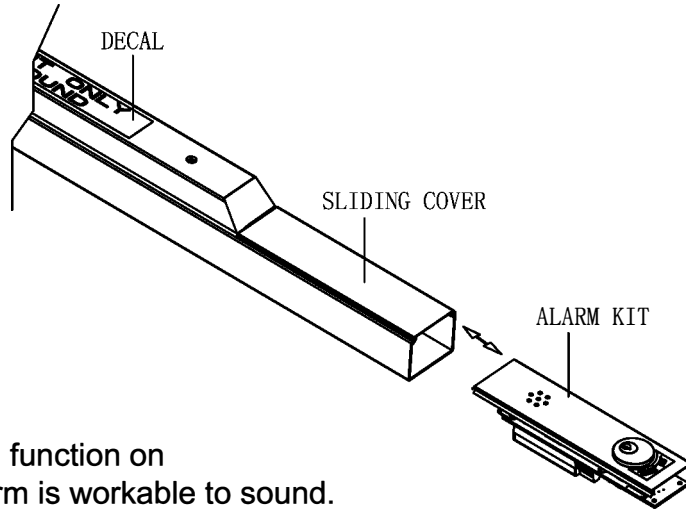
press push rail and turn the key,
then release the push rail



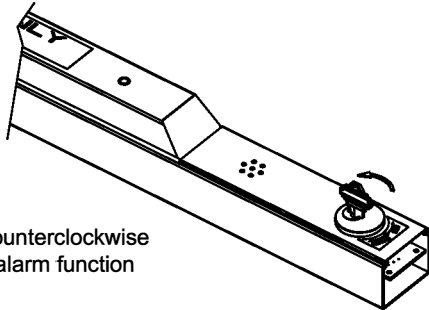
release from passage:
press the push rail and turn key clockwise.

OPTIONAL ALARM FUNCTION

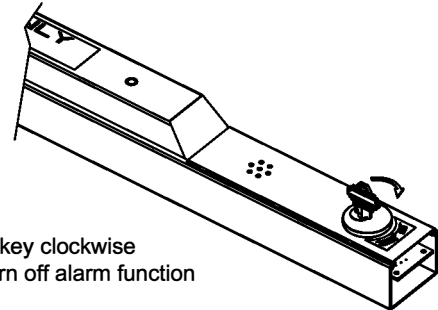
Exchange the sliding cover from standard to alarm kit.



Test the alarm kit. Turn the alarm function on and press push rail to test the alarm is workable to sound. Then, turn the alarm function off.



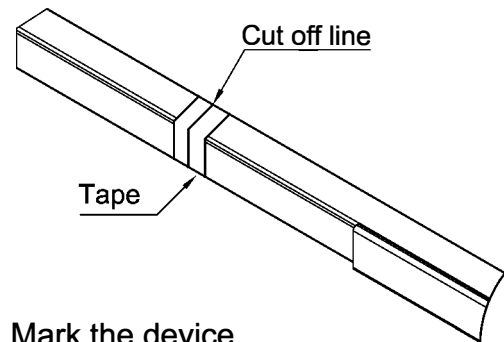
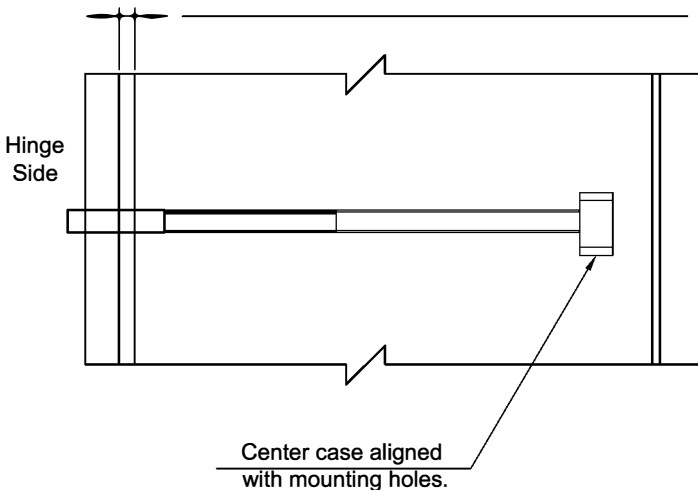
turn key counterclockwise to turn on alarm function



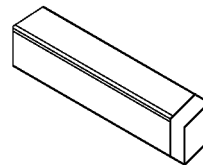
turn key clockwise to turn off alarm function

CUT DEVICE (IF REQUIRED)

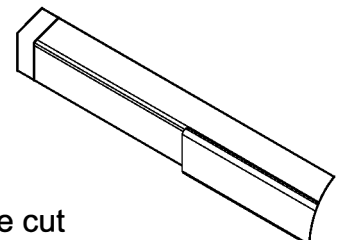
Recommended minimum clearance between frame and device end (with end cap removed) is 1/2" (38.0mm)



1. Mark the device



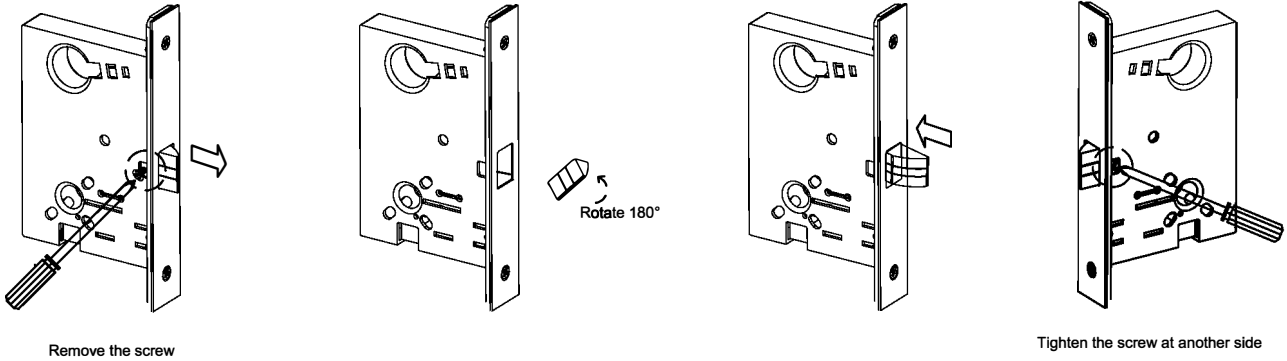
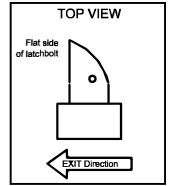
2. Cut off device and deburr.



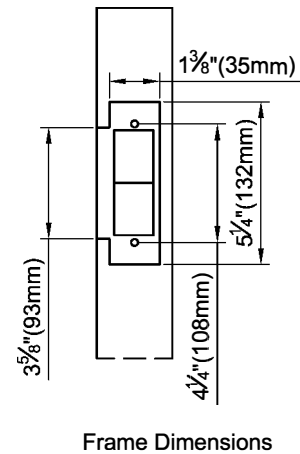
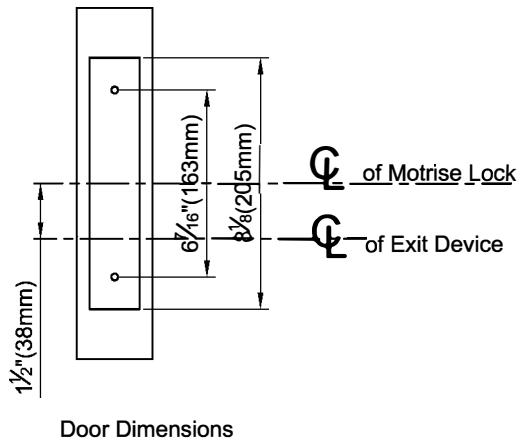
Note: Device must be cut square for proper end cap fit.

MORTISE LOCK PREPARATION

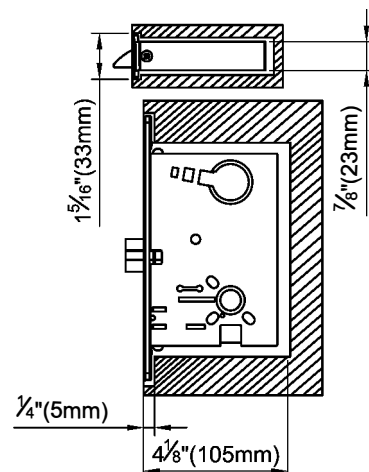
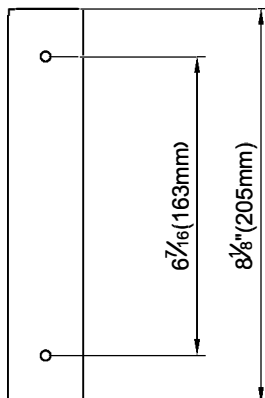
1. Prepare door for device and trim (see their instructions).
2. Prepare door for mortise lock (see preparation on other side of these instructions).
3. Change lock handing if required:



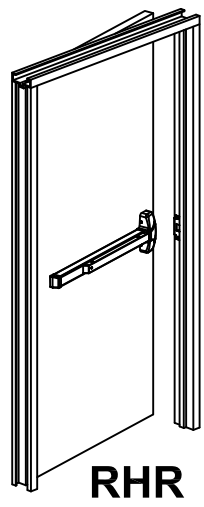
METAL DOOR PREPARATION FOR MORTISE LOCK



WOOD DOOR PREPARATION FOR MORTISE LOCK



TEMPLATE FOR MORTISE DEVICE (1:1)



RHR

