

# Installer's Guide

## Sound Enclosure Kit

BAYSDEN001,2,3,4,5

**⚠ WARNING: HAZARDOUS VOLTAGE – DISCONNECT POWER BEFORE SERVICING**

ALL phases of this installation must comply with NATIONAL, STATE AND LOCAL CODES

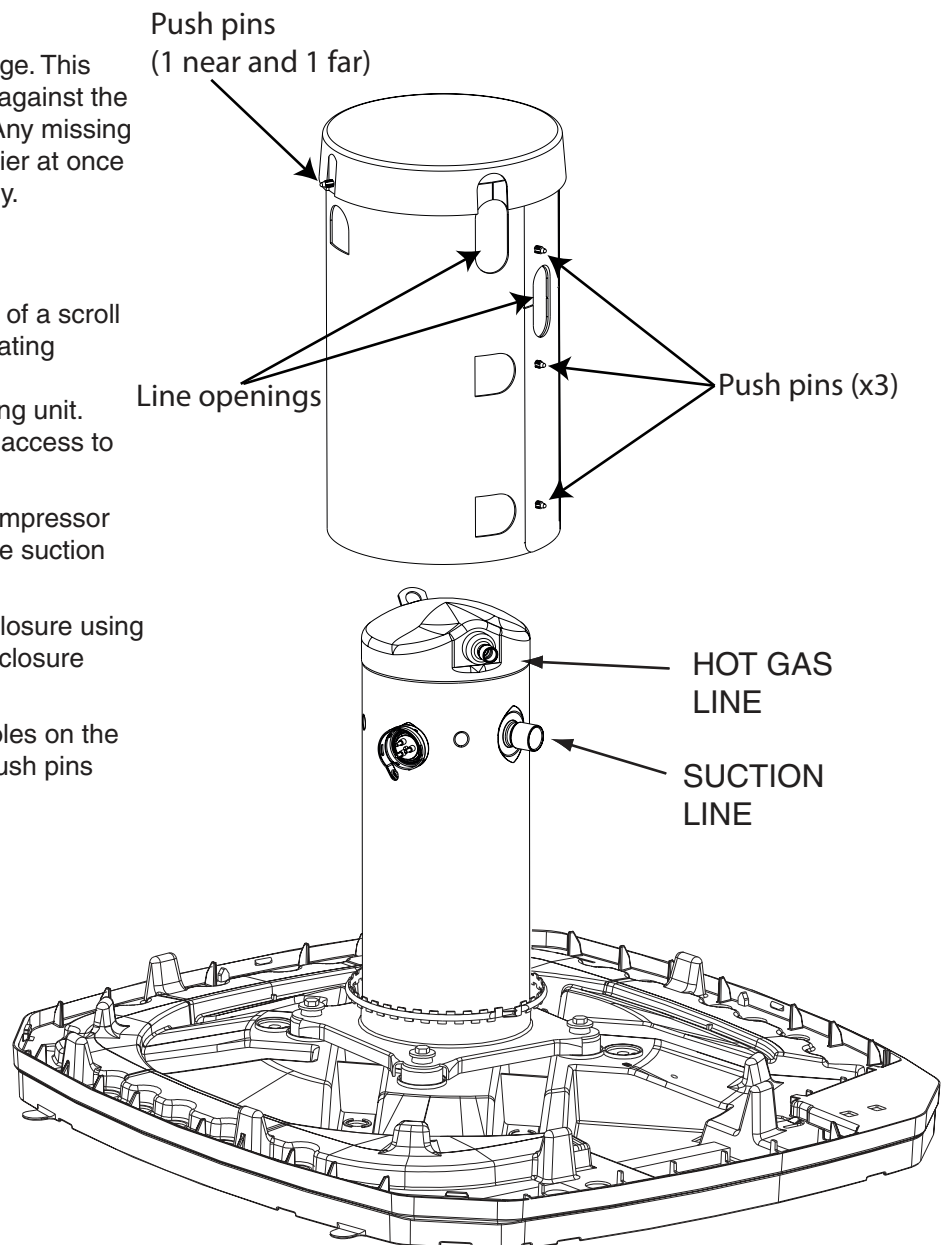
**IMPORTANT**—This Document is **customer property** and is to remain with this unit. Please return to service information pack upon completion of work.

### Inspection:

Check carefully for any shipping damage. This must be reported to and claims made against the transportation company immediately. Any missing parts should be reported to your supplier at once and replaced with authorized parts only.

### Installation:

1. See Figure at right for an example of a scroll compressor installation. (Reciprocating compressor is similar). Disconnect power to the condensing unit. Remove the unit top cover to gain access to the compressor.
2. Wrap the enclosure around the compressor and align the line openings with the suction and gas lines of the compressor.
3. Carefully align and secure the enclosure using three push pins provided in the enclosure assembly.
4. Align the top cap holes with the holes on the enclosure and secure using two push pins provided.
5. Reinstall the top cover.



### **For Rotary Compressor Installation:**

1. Open the enclosure like a clamshell, place around the compressor and compressor accumulator.
2. Align top cap holes with the wiring harness, suction tube and discharge tube.
3. Fasten pins provided in sound enclosure assembly to sides and top to fit securely.

### **About Trane and American Standard Heating and Air Conditioning**

Trane and American Standard create comfortable, energy efficient indoor environments for residential applications. For more information, please visit [www.trane.com](http://www.trane.com) or [www.americanstandardair.com](http://www.americanstandardair.com)

---

The manufacturer has a policy of continuous data improvement and it reserves the right to change design and specifications without notice. We are committed to using environmentally conscious print practices.