

Project Name:	Location:	AIA #:
Item #:	Qty:	Model #:
		SIS #:

G SERIES - STAINLESS STEEL EXTERIOR & INTERIOR



HALF-HEIGHT MODELS | HINGING

- G26004P | Solid Front Left-Right/Glass Rear Left-Right
- G26005P | Solid Front Left-Left/Glass Rear Left-Left
- G26006P | Solid Front Right-Left/Glass Rear Right-Left
- G26007P | Solid Front Right-Right/Glass Rear Right-Right
- G27004P | Glass Front Left-Right/Solid Rear Left-Right
- G27005P | Glass Front Left-Left/Solid Rear Left-Left
- G27006P | Glass Front Right-Left/Solid Rear Right-Left
- G27007P | Glass Front Right-Right/Solid Rear Right-Right

FULL-HEIGHT MODELS | HINGING

- G26014P | Solid Front Left-Right/Glass Rear Left-Right
- G26015P | Solid Front Left-Left/Glass Rear Left-Left
- G26016P | Solid Front Right-Left/Glass Rear Right-Left
- G26017P | Solid Front Right-Right/Glass Rear Right-Right
- G27014P | Glass Front Left-Right/Solid Rear Left-Right
- G27015P | Glass Front Left-Left/Solid Rear Left-Left
- G27016P | Glass Front Right-Left/Solid Rear Right-Left
- G27017P | Glass Front Right-Right/Solid Rear Right-Right

SPECIFICATIONS

DIMENSIONAL DATA	
Capacity cu. ft.	49.22 (1393.7 cu l)
Length in.	52-1/8 (132.4 cm)
Depth in.	32 (81.3 cm)
Overall Height in. ²	83-3/8 (211.9 cm)
ELECTRICAL DATA	
Horsepower ¹	3/4
Amps	7.9
Voltage	115/60/1
NEMA	5-15P
REFRIGERATION DATA	
Refrigerant	R-290
Charge Amount oz.	4.5 (127.6 g)
BTU	4100

When ordering please specify:
Voltage, Hinging, and Options



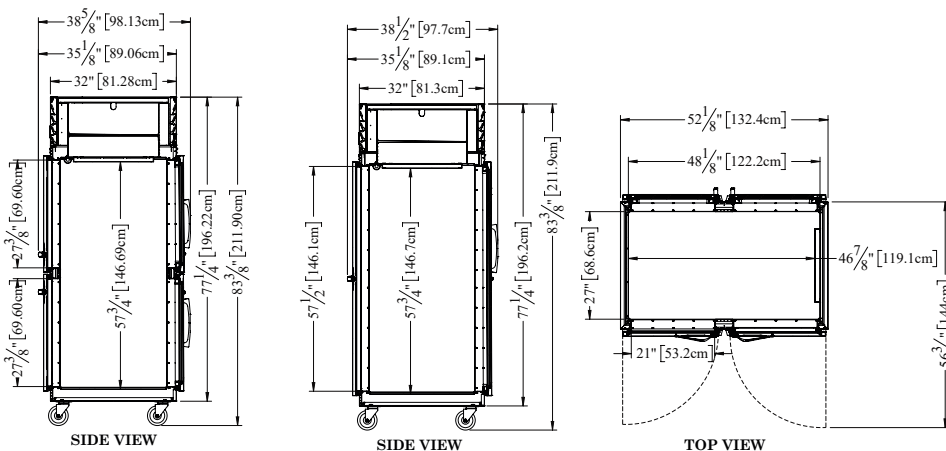
NEMA 5-15P



ENERGY STAR® Listed Commercial Refrigerator
For full listing visit energystar.gov

1. Based on 90°F ambient & 20°F evaporator.
 2. 12" top clearance preferred for optimum performance & service access.
- *Depth does not include 6-1/2" for door & handle.
†Overall height includes 6" (15.2 cm) for casters.
‡For additional voltage options contact factory.

PLAN VIEW



Models listed to applicable UL, CSA, and NSF standards by an approved NRTL. Consult the factory or unit data plate for additional information.

Specifications subject to change without notice. Chart dimensions are rounded up to the nearest 1/16" (centimeters rounded up to the nearest tenth).



G SERIES

2-SECTION MIXED DOOR PASS-THRU REFRIGERATOR



Project Name:	Location:	AIA #:	
Item #:	Qty:	Model #:	SIS #:

REFRIGERATION SYSTEM

- Self-contained, top-mounted system uses environmentally friendly, minimal GWP R-290 refrigerant
- High performance, balanced system operates at 34-38°F (1-3°C) to maintain consistent, food-safe temperatures
- Specialized, clock-wise airflow design
- Water-resistant microprocessor control with an LED display
- Easy to clean, front-facing condenser coil
- Thermostatic expansion valve metering device
- High humidity evaporator coil located outside the food zone; complete electro-deposition coating on coil

CABINET CONSTRUCTION

- Stainless steel exterior and interior
- Exterior top, back, and bottom is constructed of heavy gauge galvanized steel
- Load-Sure™ guard facilitates proper product loading
- Both the cabinet & solid door(s) are insulated with an average of 2" (5.1 cm) thick high density, non-CFC foamed-in-place polyurethane
- A set of (4) 6" (15.2 cm) high casters; (2) with brakes, (2) without brakes
- 9' cord & plug provided

DOORS

- Metal gasket-protecting door pan(s) on solid door(s)
- Removable, plug cylinder locks
- Guaranteed for life cam-lift hinges
- Guaranteed for life metal workflow door handle(s) on solid door(s)
- Door(s) are self-closing with a stay-open feature
- Magnetic, snap-in EZ-Clean™ door gasket(s) are chemical-resistant
- Door hinges include a concealed switch that automatically activate interior LED lighting

FACTORY-INSTALLED INTERIORS

- (3) adjustable, factory-installed coated wire shelves per section supported on shelf pins; load should not exceed 225 pounds (102 kg)

FIELD-INSTALLED INTERIOR/SUPPORT OPTIONS

- See trayslides versatility chart below
- Additional shelves
- Set of (4) 4-1/8" (10.5 cm) casters; (2) with brakes, (2) without brakes
- Set of (4) 6" (15.2 cm) adjustable legs

WARRANTY

Both a six-year parts and labor warranty, and an additional one-year compressor parts warranty (for a total of seven years) are provided standard.

OPTIONAL ACCESSORY TRAYSLIDES						
TRAYSLIDE DRAWINGS						
TRAYSLIDE OFFERING	#1 (1) 18" x26" or (2) 14"x18"	#4 (Rod Type) (1) 18" x26"	Universal (1) 18" x26" or (2) 14"x18" or (2) 12"x20"	#1 EZ-Change (1) 18" x26" or (2) 14"x18"	Universal EZ-Change (1) 18" x26" or (2) 14"x18" or (2) 12"x20"	HD Universal EZ-Change (1) 18" x26" or (2) 14"x18" or (2) 12"x20"
SPACING CAPACITY DOOR SIZE	2" (28) Pairs Full Door 3" (19) Pairs Full Door 4" (14) Pairs Full Door 5" (11) Pairs Full Door	1-1/2" (38) Pairs Full Door	4" (14) Pairs Full Door 5" (11) Pairs Full Door 6" (9) Pairs Full Door	2" (26) Pairs Full Door 4" (13) Pairs Full Door	2-1/4" (22) Pairs Full Door 4-1/2" (11) Pairs Full Door	4-1/2" (11) Pairs Full Door 9" (5) Pairs Full Door

CAD and/or Revit Files Available

<https://traulsen.klclcad.com>

Approved by:	Approved by:	Date:
--------------	--------------	-------