

2.4G RF TUYA dimmer for single colour LED strip

Model № SSWFSC

DESCRIPTION

2.4G SMART light control system includes series of RF remotes, dimmable constant current LED drivers, dimmers and controllers for LED strip. The LED light can be controlled separately up to 4 zones or overall zones control.

SSWFSC is a dimmer, designed for LED strips. Can be controlled by **SSG1Z**, **SSW1Z**, **SSRF1Z**, **SSR1Z**, **SSW4Z** and **SSR4Z** RF remotes from the series and TUYA application for smartphone. Compatible with all models single colour LED strips UltraLux.

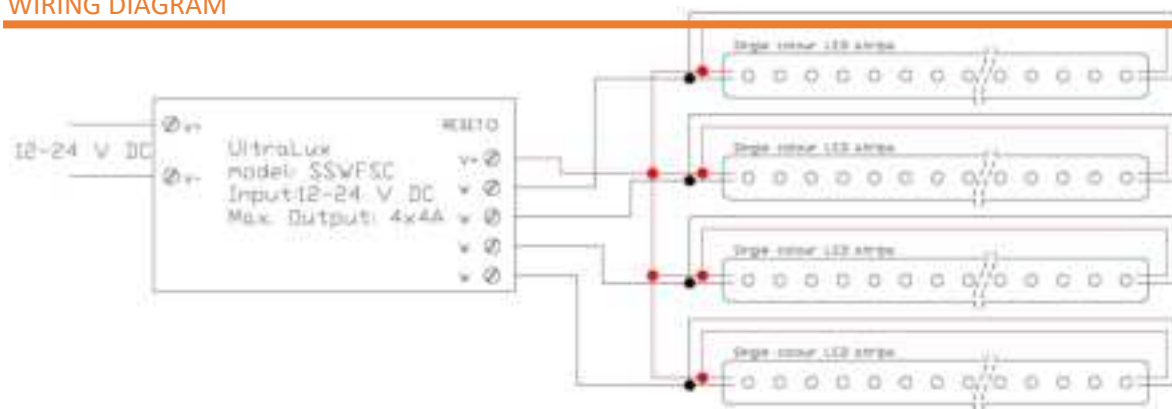
TECHNICAL DETAILS

- **Input/ output voltage:** 12-24 V DC
- **Maximum output current:** 4x4 A (simultaneously control)
- **IP rate:** IP20
- **Maximum output power:** 192 W (12 V DC); 384 W (24 V DC)
- **Remote distance:** max. 20 m open area
- **Dimensions:** 41/71/21 mm
- **Working temperature:** -10° C ÷ +40 ° C
- **Warranty:** 2 years

READ THE INSTRUCTIONS BEFORE MOUNTING OR REPLACEMENT

- Performing any activity with the power supply on constitutes potential hazard of electric shock. Prior to mounting, power supply must be switched off by using the main switch!
- The dimmer/driver/controller may only be connected to a properly functioning electrical system with compliance with the applicable standards. Activities related to connection to the power supply are to be commissioned to a person with appropriate authorization. The mounting must be performed in accordance to the scheme provided.
- The importer/supplier bears no responsibility for damages resulting from failure to comply with these instructions.

WIRING DIAGRAM




WORKING INFORMATION

The dimmer must be connected to 12-24V DC power supply which parameters depends on the LED strip load. The dimmer has power lost memory function and will remember the last working mode. It can be controlled by RF **SSG1Z**, **SSW1Z**, **SSRF1Z**, **SSR1Z**, **SSW4Z** and **SSR4Z** remotes from the series and TUYA application for smartphone. Each RF remote control has a manual operation instruction how to pair it.

NOTES

- Supply voltage of this product is 12-24 V DC, never connect to others.
- The dimmer can be controlled by **SSG1Z**, **SSW1Z**, **SSRF1Z**, **SSR1Z**, **SSW4Z** and **SSR4Z** RF remote from the series and TUYA application for smartphone.
- The wires should be correctly connected according to the wiring diagram.
- Do not install on flammable surfaces.
- Do not cover the power supply. Provide enough space for heat dissipations.

TAKING CARE OF THE NATURAL ENVIRONMENT CLEANLINESS

-  The product and its components are not harmful to the environment.
- Please dispose the package elements separately in containers for the corresponding material.
- Please dispose the broken product separately in containers for out of usage electrical equipment.

SIMPLIFIED EU DECLARATION OF CONFORMITY

Hereby, BORIANA LTD declares that the radio equipment type RF WiFi controller SSWFSC is in compliance with Directive 2014/53/EU. The full text of the EU declaration of conformity is available at the following internet address: www.ultralux.bg.