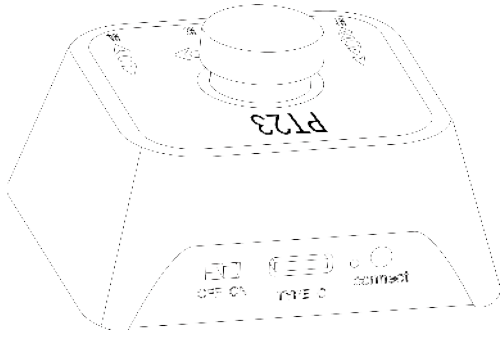


# PT23 User Manual

## I. Product picture:



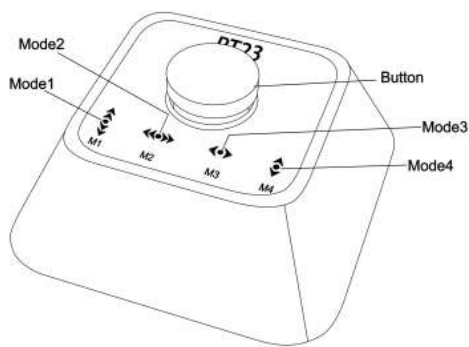
## II. Description:

PT23 is a powerful Bluetooth pedal multimedia controller, which can be used to browse electronic music, e-books, PPT, pictures, and other short video apps such as TikTok. Supports Android, IOS, HarmonyOS, Windows and other operating systems.

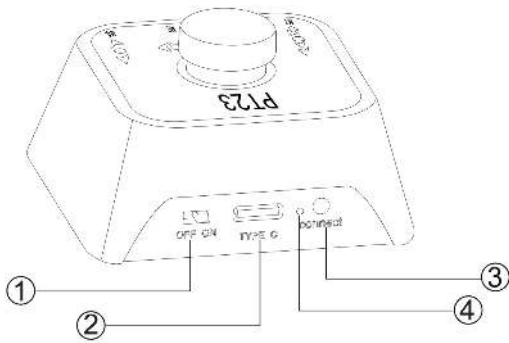
## III. Parameter:

- 1.Product name: Multimedia remote control
- 2.Product mode: PT23
- 3.Bluetooth coverage radius:  $\geq 10\text{m}$
- 4.Bluetooth version: Bluetooth 5.3
- 5.Battery: Built-in rechargeable lithium battery
- 6.Battery capacity: 230mAh
- 7.Product size: 55\*52\*30mm
- 8.Weight: 37g

## IV. Function description:



Mode	Function	One press	Double press	Press one and hold	Double press and hold
Mode1	Simulate hand filp over,Turn up or Down	Up	Down	Continue Up	Continue Down
Mode2	Simulate hand filp over,Turn left or right	Left	Right	Continue Left	Continue Right
Mode3	Turn left or right	Left	Right	Continue Left	Continue Right
Mode4	Turn up or down	Up	Down	Continue Up	Continue Down



1. ON/OFF: power switch;
2. Type-C: For battery charging;
3. connect: Click mode switch, press three seconds enter Bluetooth pairing;
4. LED: led on when charging, led off when full,Low power flashing.

## V. Instructions:

1. Turn the power switch to "ON" to start the machine.
2. Press connect key three seconds enter bluetooth pairing mode,find device "PT23" and click to connect.
3. Click "connect" key to swich modes.

Note: IOS systems need to open Settings>Accessibility>touch>turn on Assistive touch(adjust to one-third of the position) to use it properly.

**WARNING:** This device complies with Part 15 of the FCC Rules. Operation is subject to the following two conditions: (1) This device may not cause harmful interference, and (2) This device must accept any interference received, including interference that may cause undesired operation.

**WARNING:**The device has been evaluated to meet general RF exposure requirement. The device can be used in portable exposure condition without restriction.

**WARNING:**The wireless connection distance of the product is 10 meters, beyond which normal use is not guaranteed.

**CAUTION:** Changes or modifications not expressly approved by the party responsible for compliance could void the user's authority to operate the equipment.

**NOTE:** This equipment has been tested and found to comply with the limits for a Class B digital device, pursuant to Part 15 of the FCC Rules. These limits are designed to provide reasonable protection against harmful interference in a residential installation. This equipment generates, uses, and can radiate radio frequency energy and, if not installed and used in accordance with the instructions, may cause harmful interference to radio communications. However, there is no guarantee that interference will not occur in a particular installation. If this equipment does cause harmful interference to radio or television reception, which can be determined by turning the equipment off and on, the user is encouraged to try to correct the interference by one more of the following measures:

- Increase the distance between the equipment and receiver.
- Consult the dealer or an experienced radio/TV technician for help.