

Valore 2-in-1 Wireless Charging Pad (AC96)

VALORE

Thank you for purchasing the Valore 2-in-1 Wireless Charging Pad (AC96).

- Dual charging coil
- Charge 2 devices simultaneously
- Detachable charging stand & charging pad

Important: Please read the user manual thoroughly before using your Wireless Charging Pad

Specifications:

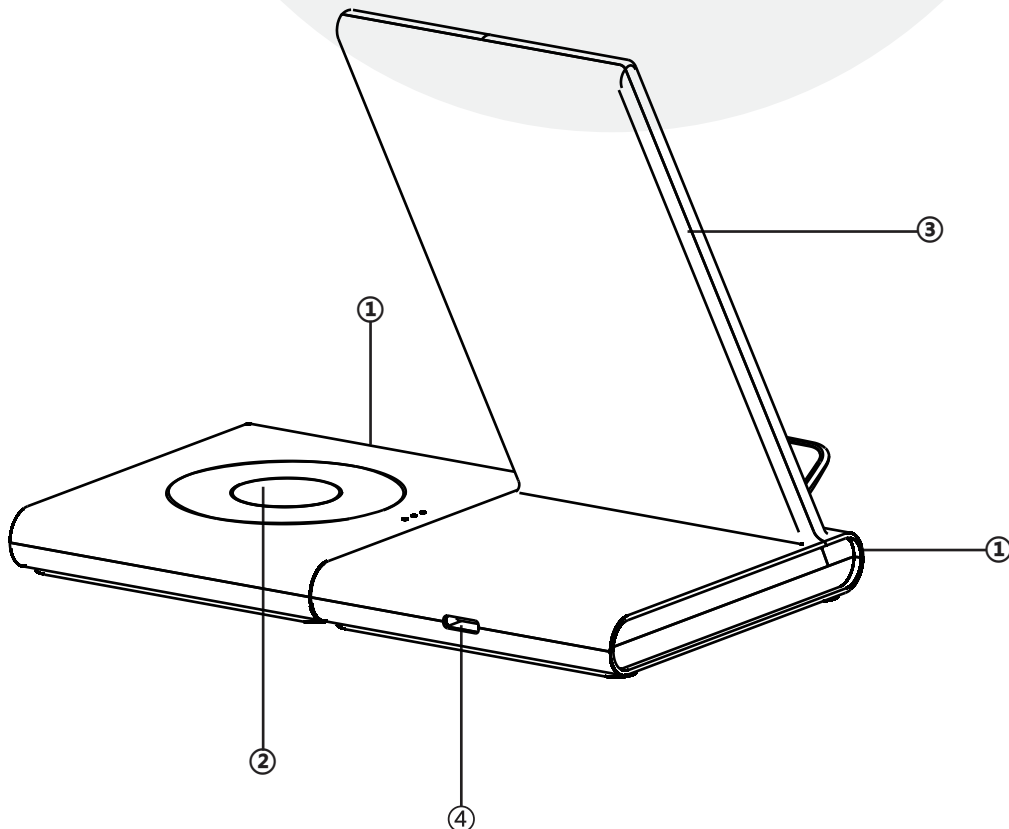
- Power output: 10W+10W(max)
- Power input: 5V/2A, 9V/1.8A (max)
- Operating temperature: 0-60°C

Package Contents:

- 2-in-1 wireless charging pad
- USB-C cable

**Not compatible with Apple Watch®*

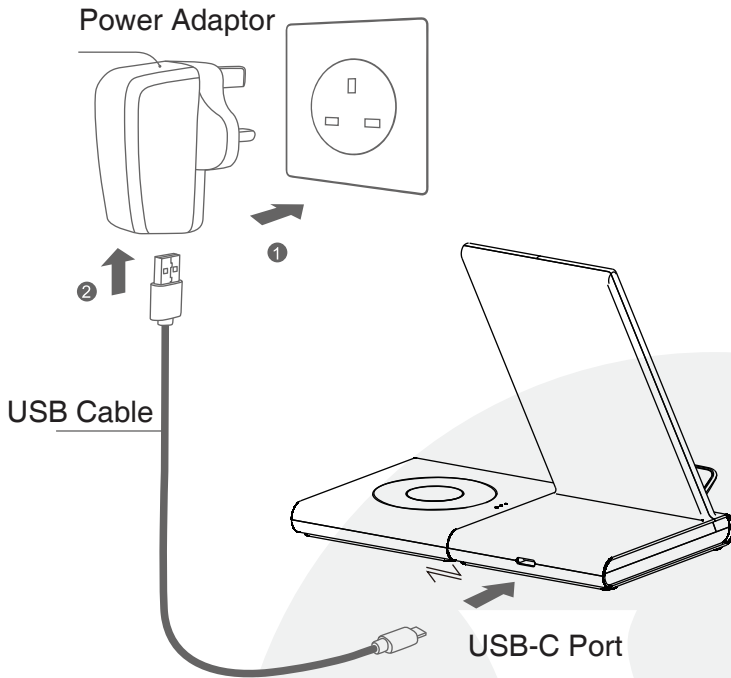
UNDERSTANDING THE PRODUCT



- ① LED indicator
- ② Charging mat
- ③ Charging stand
- ④ USB-C port

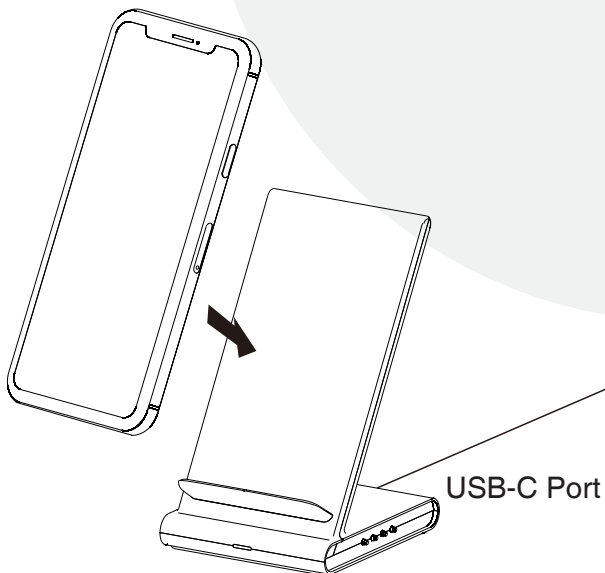
START USING WIRELESS CHARGING PAD

Connect to wall adaptor



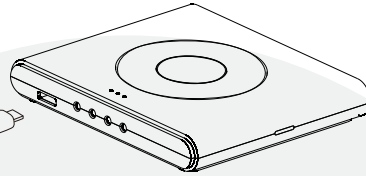
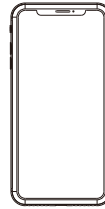
1. Plug in power adaptor
2. Connect the USB cable to the charging stand and Mag-Click the charging mat to the charger. Both of them can work at the same time.

Wireless charging stand & charging mat work-alone mode



1. When powered on, LED indicator is Blue for 5 seconds the lights-off and enters standby mode.
2. When a wireless charging enabled device is placed on the charger, LED will indicate:
Charging: LED will constantly light Green
Fully charged: For Samsung - LED off
For iPhone - LED in continuous Green
FOD/Malfunction: LED blinks in Green & Blue

Supports Qi Enabled
Phones and Samsung Watch
Power Input: 5V=2A



Type-C Port

1. When powered on, LED indicator is Blue for 5 seconds the lights-off and enters standby mode.
2. When a wireless charging enabled device is placed on the charger, LED will indicate:
 - Charging: LED will constantly light Green
 - Fully charged: For Samsung - LED off
For iPhone - LED in continuous Green
 - FOD/Malfunction: LED blinks in Green & Blue

TECHNICAL SUPPORT & WARRANTY

- For Technical Support, email us at v.info@valore.sg.
- For Warranty Registration, visit www.valore.sg.

Cautions:

Read all the instructions and warnings carefully prior to using this product.

- Do not store the product in a high temperature environment.
- Do not place the product near a fire or other excessively hot environments.
- Do not expose the product to moisture or submerge it in liquid. Keep product dry at all times.
- Do not attempt to charge the product using any other method or connection other than the product's provided charging cable.
- Do not disassemble this product or attempt to repair or modify it in any manner.
- Battery usage by children should be supervised
- Be cautious of excessive drops, bumps, abrasions or other impacts to this product. If there is any damage to the product such as dents, punctures, tears, deformities or corrosion, stop using the product and contact us immediately via email at v.info@valore.sg, or return this product to the store where you have purchased it from.
- If the product produces an abnormal smell, high temperature (low temperature during normal use), discolours or changes shape abnormally, stop using the product and contact us immediately via email at v.info@valore.sg.

DISCLAIMER & TRADEMARKS

All information, trademarks, logos, graphics, and images ("Materials") provided on this user manual are copyrighted or trademarked and are the property of Valore Lifestyle Pte Ltd. Any unauthorized use of any material contained on the instruction manual may violate copyright laws, trademark laws, laws of privacy and communications statutes. The trademarks, service marks and logos used and displayed in the Materials are registered and unregistered trademarks and service marks of Valore and others. All other registered and unregistered company names, product names and marks mentioned herein the ("Materials") are the property of their respective owners and may be trademarks or registered trademarks.

Complies with
IMDA Standards
DA102803



Inspired by Valore Singapore

For full range of Valore products visit www.valore.sg