

allen + roth®

welcoming • sophisticated • inspiring



ALLEN + ROTH and logo design are trademarks or registered trademarks of LF, LLC. All rights reserved.

ITEM #2694504

## VANITY WITH TOP

MODEL #1605VA-48-201-925

Français p. 11

Español p. 21

### ATTACH YOUR RECEIPT HERE

Serial Number \_\_\_\_\_ Purchase Date \_\_\_\_\_

**Questions, problems, missing parts?** Before returning to your retailer, call our customer service department at 1-866-439-9800, 8 a.m. - 8 p.m., EST, Monday - Sunday.

You could also contact us at [partsplus@lowes.com](mailto:partsplus@lowes.com) or visit [www.lowespartsplus.com](http://www.lowespartsplus.com).

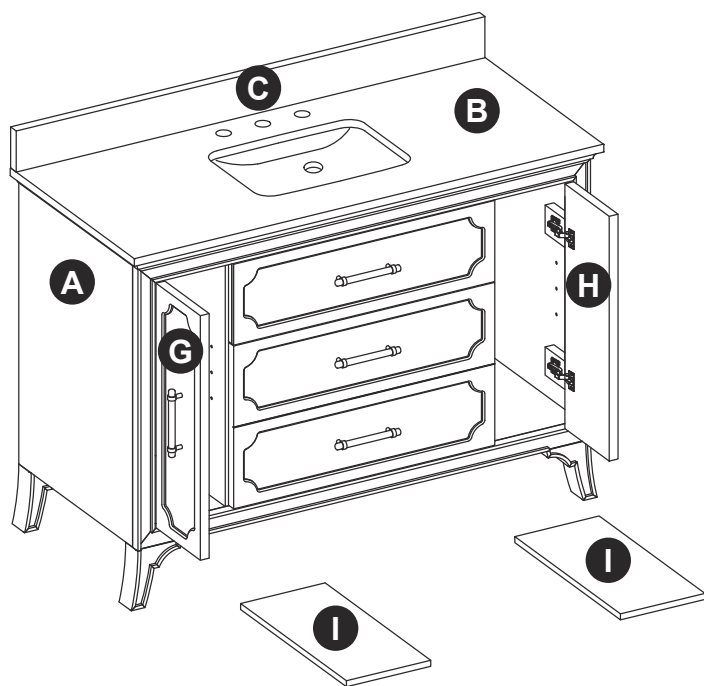
XXXXXXX

## TABLE OF CONTENTS

---

Package Contents.....	3
Hardware Contents.....	3
Safety Information.....	3
Preparation.....	4
Assembly or Installation Instructions.....	4
Care and Maintenance.....	9
Warranty.....	9
Replacement Parts List.....	10

## PACKAGE CONTENTS



PART	DESCRIPTION	QUANTITY
A	Vanity	1
B	Top (preassembled to vanity (A))	1
C	Backsplash	1
G	Left Door (preassembled to Vanity (A))	1
H	Right Door (preassembled to Vanity (A))	1
I	Shelf	2

## HARDWARE CONTENTS (NOT SHOWN ACTUAL SIZE)

AA



Touch Up Pen  
Qty. 1

## **!** SAFETY INSTRUCTIONS

Please read and understand this entire manual before attempting to assemble, operate or install the product.

### **!** WARNING

- There are several assembly steps, including unpacking, that require two adults.

### CAUTION

- **DO NOT** try to pry off top from vanity, as damage to top or vanity may occur.
- Follow these instructions closely, take your time, and use care while assembling this vanity.

**KEEP THESE INSTRUCTIONS FOR FUTURE REFERENCE.**

## PREPARATION

---

Before beginning assembly of product, make sure all parts are present. Compare parts with package contents list and hardware contents list. If any part is missing or damaged, do not attempt to assemble the product.

**Estimated Installation Time:** 35 minutes (24 hours for silicone caulk to dry).

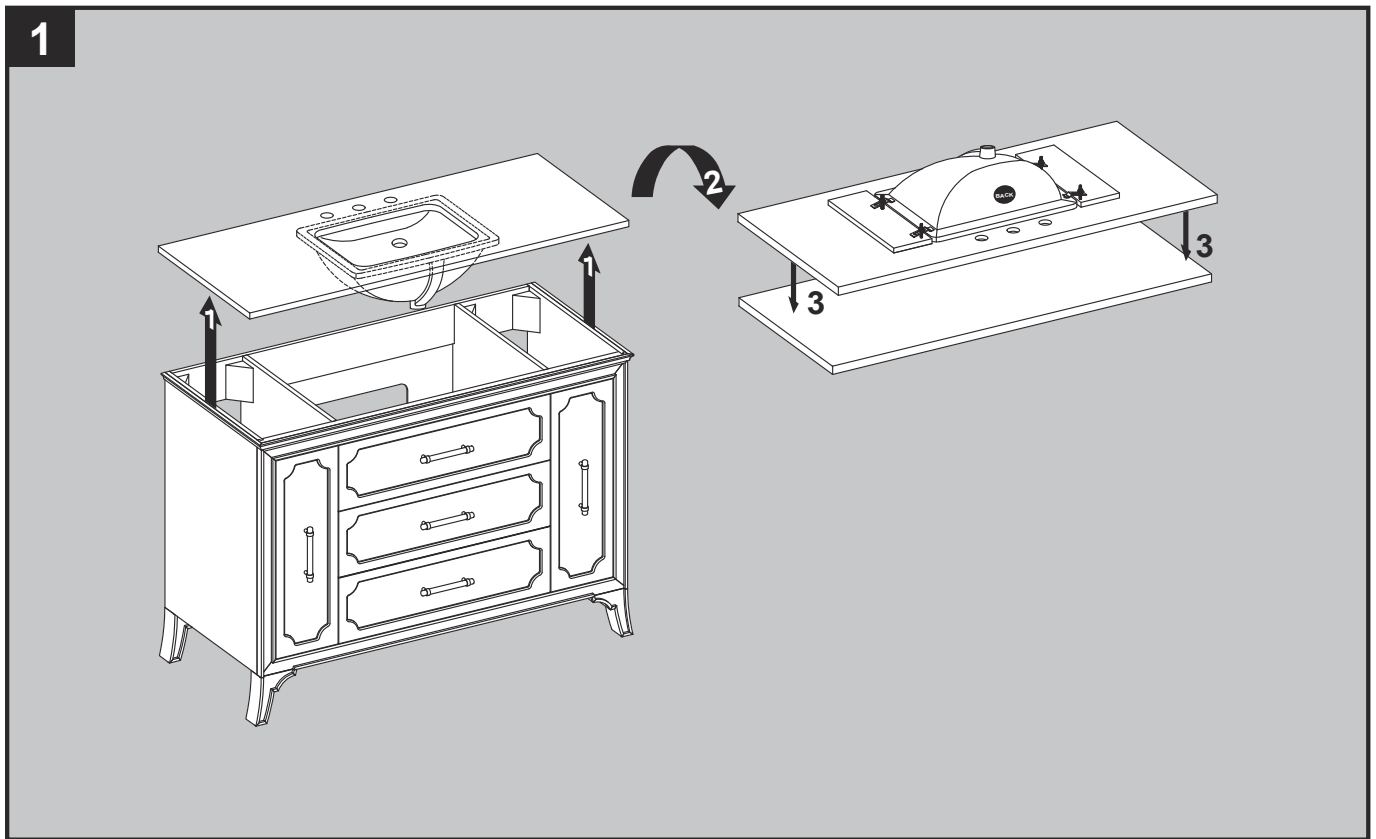
Tools Required for Installation (not included): Phillips screwdriver, utility knife or scissors, silicone caulk, power drill with drill bit

Helpful Tools (not included): Measuring tape, level

## INSTALLATION INSTRUCTIONS

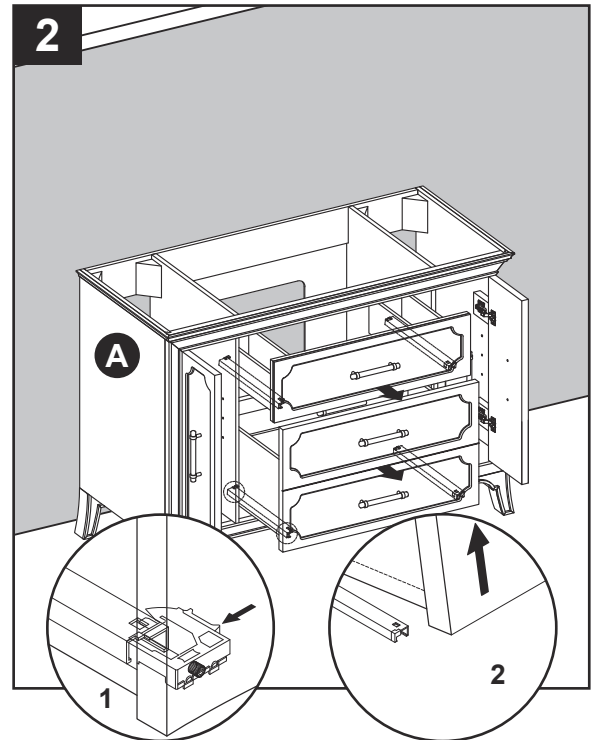
---

1. Please remove the top (B) from the vanity (A). Place the top (B) and backsplash (C) face down onto a scratch-free surface such as a foam sheet that came in the packaging.



## INSTALLATION INSTRUCTIONS

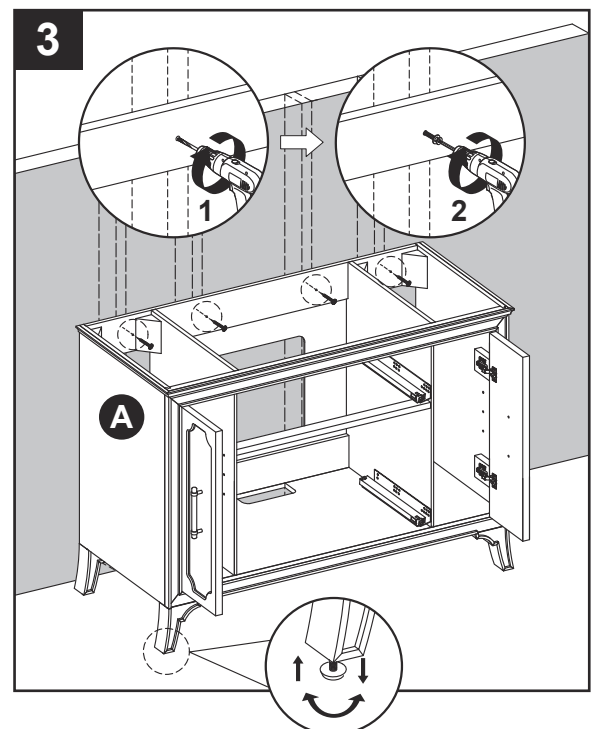
2. To remove drawers preassembled in vanity (A), fully extend drawers. Locate plastic levers on metal glide tracks at left and right sides of drawer box. To disengage drawer box from glides, push on plastic levers. Then, gently lift drawer up to remove it from vanity (A).



**Note:** Clean area where the vanity (A) will be permanently located prior to beginning installation, ensuring the vanity (A) will not interfere with any water supply and drain lines once mounted.

3. With two people, carefully place vanity (A) against the wall in its final location. While holding the vanity base firmly against the wall, use the pre-assembled levelers on the bottom of each leg of the vanity (A) to level the item. Twisting the levelers counterclockwise will raise the height of the vanity (A), and twisting them clockwise will lower the vanity.

Once the vanity is in place, against the wall, and level from front to back and side to side, drill a hole through the vanity mounting area and into the wall studs (as illustrated in diagram 3). Using appropriate mounting hardware (not included), secure the vanity (A) to a wall stud. If possible, secure the vanity (A) to two wall studs for increased stability.



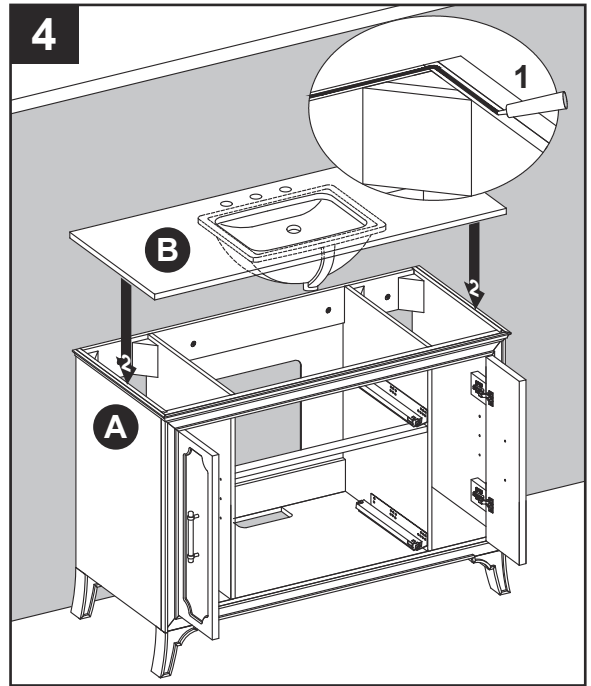
### **WARNING**

Vanity (A) **MUST** be secured to wall.

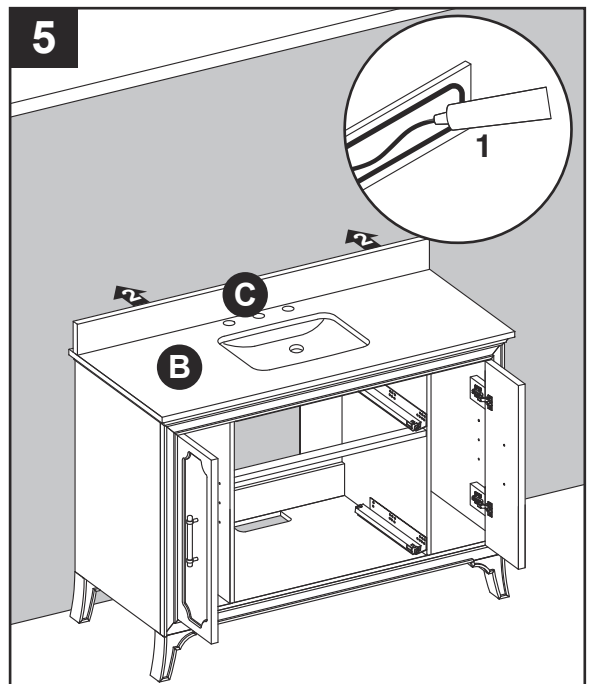
## INSTALLATION INSTRUCTIONS

**Note:** At this stage it may be easier to install the faucet and drain kit (not included) to top (B) per the manufacturer's instructions, before moving on to Step 4.

4. Apply stain free silicone caulk (not included) to the top edge of vanity (A). With the help of another adult, gently lower top (B) onto the vanity (A). Wipe away any excess caulk with a soft cloth, and wait approximately 24 hours for it to dry.



5. Apply silicone caulk (not included) to unpolished side and bottom of backsplash (C). Position backsplash (C) on top (B) and against wall. Clean any excess caulk before allowing to dry.



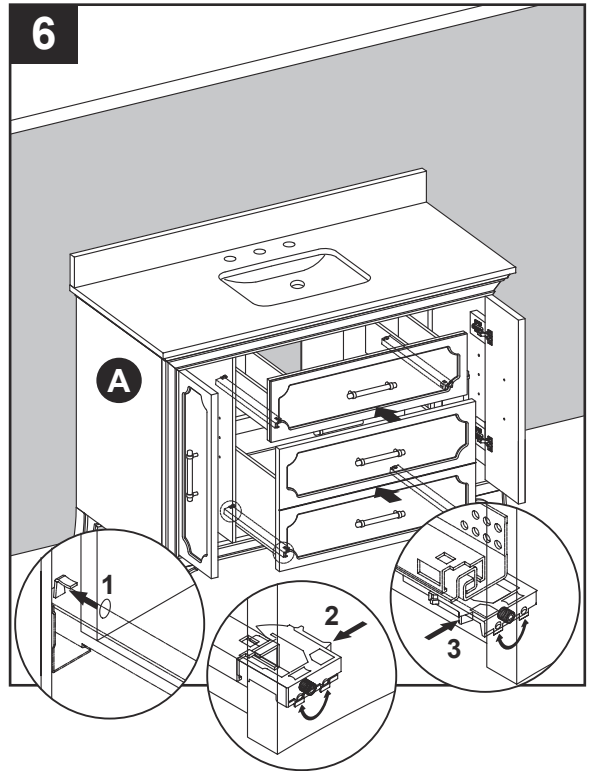
## INSTALLATION INSTRUCTIONS

6. To reinstall drawers into vanity (A), fully extend metal glide tracks. Gently lower and slide drawer box into rear glide catch. Next lower drawer box down to completely rest on extended glides. Then, push plastic levers to lock the drawer box in place. Repeat for remaining drawers.

**Note:** To adjust the drawer box height, spin the adjustment wheel to the left to raise the drawer box or spin the adjustment wheel to the right to lower the drawer box. You can adjust the left and right side glide heights independently in order to find the drawers best alignment position.

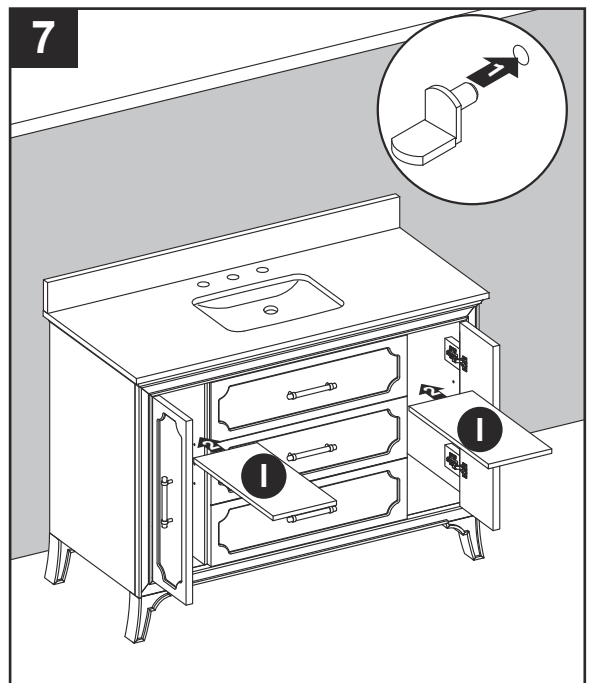
### CAUTION

**DO NOT** force drawer or damage to glide may occur. If drawer does not slide in with ease, remove and try again from the start.



7. From the front of the assembly, insert shelf pins at desired height, ensuring they are level. Place shelf (I) on top of shelf pins.

Repeat for the remaining shelf (I).



## INSTALLATION INSTRUCTIONS

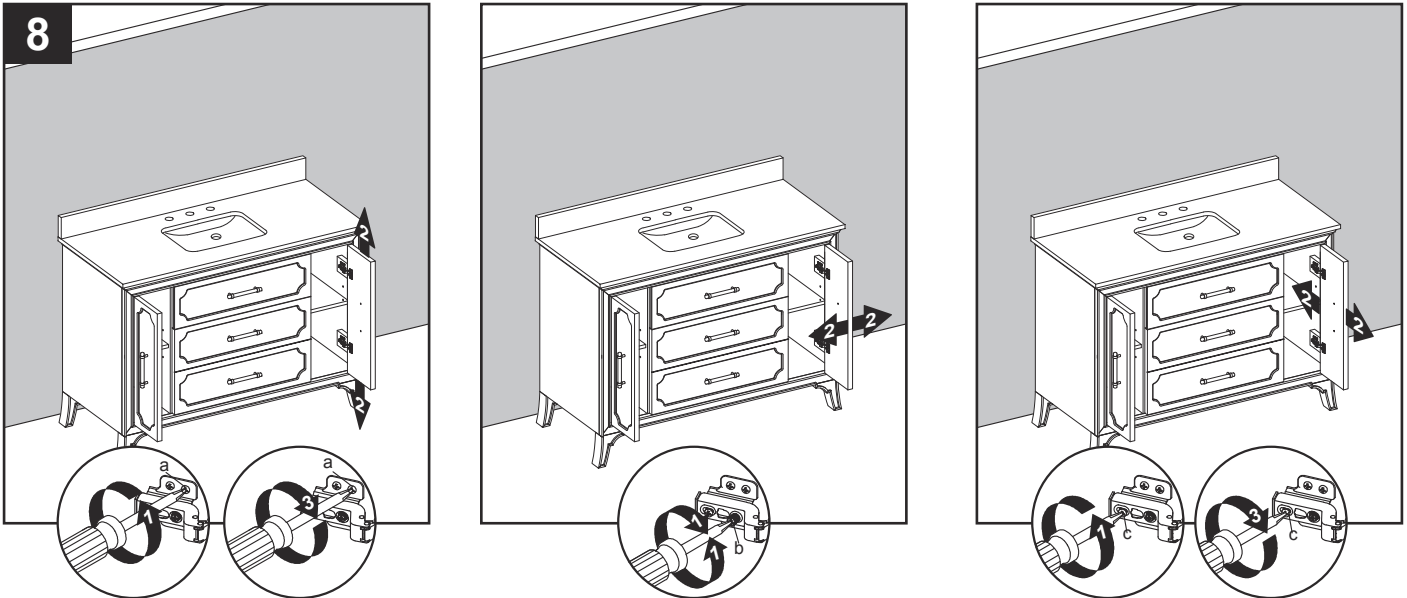
8. If you need to adjust the doors, do so in the following manner.

To adjust door up or down, loosen screws (a) on both hinges, adjust door, and retighten screws.

To adjust door left or right, turn screws (b) on both hinges, in or out.

To adjust door in or out, loosen screws (c) on both hinges, adjust door, and retighten screws.

Assembly is now complete. Install desired faucet and drain assemblies (neither included) per the manufacturers' instructions to complete the installation.



## CARE AND MAINTENANCE

---

- Dust the vanity regularly with a soft, non-lint producing cloth or household dusting product.
- You can clean the vanity with a gentle, non-abrasive household cleaner.
- Make sure to dry the wood immediately with a soft cloth or towel.
- The stone top can be cleaned using standard marble cleaning agents available at your local supplier.
- Tips for using touch-up pen (AA): For scratches, stroke in direction of scratch. Rub off excess colorant promptly with a soft cloth.

## IMPORTANT

- Shade variations and patterns are an inherent characteristic of stone (e.g. granite, marble, engineered stone). Stone tops will vary from product to product. Use caution placing items such as soap or any fragranced material on the stone surface. Use a soap dish, coaster or similar item to protect the surface if placing any soap or fragranced products on the stone.
- If soap or fragranced products come in contact with the stone top, rinse the surface with water and dry using a soft non-abrasive cloth.
- **WARNING:** Must use cleaning agents safe for stone. Check your cleaning agents use restrictions before using on any stone. Damage to the stone may result. Vanity manufacturer not responsible for damage caused by improper cleaning agents or soaps used. Warranty will not cover damage caused by the use of improper soaps or cleaning agents.
- **DO NOT** use products to clean the stone top that contain acetone, lemon, vinegar or other acids as these may cause damage to the stone surface.
- Periodically reseal the stone top using an appropriate stone sealer available from your local home store. Follow the manufacturer's directions on how to apply.

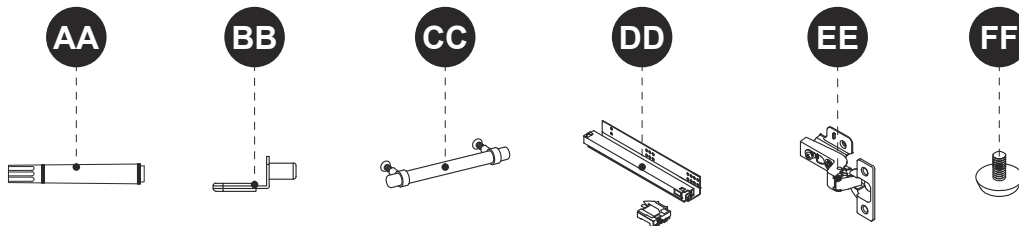
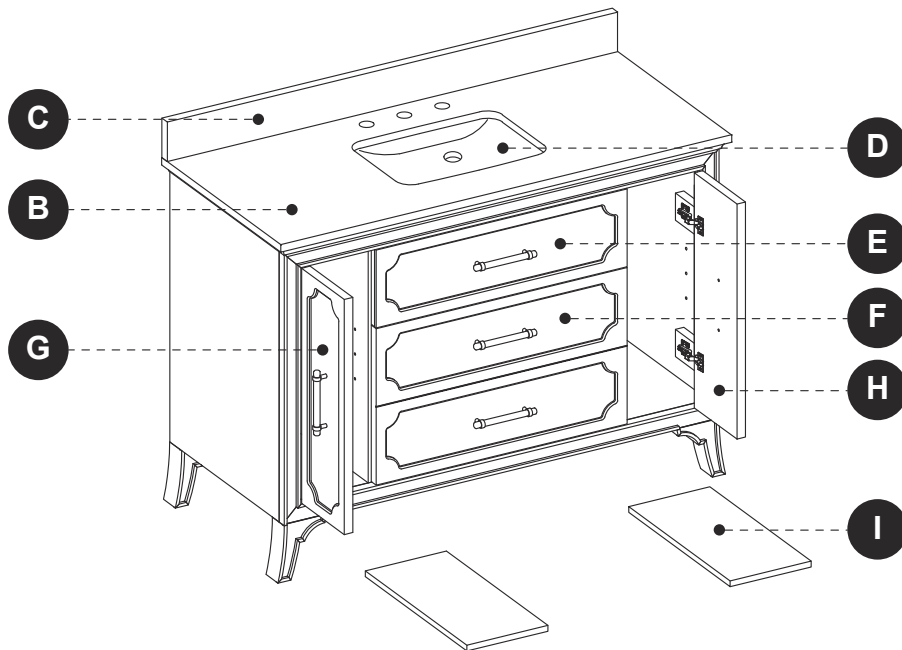
## WARRANTY

---

The manufacturer warrants this item against defects in materials and workmanship for a period of one (1) year from the date of original retail purchase. This warranty applies only to the original purchaser. This warranty does not apply to any damage on the product by accident, misuse, or modified, improper installation or by affixing accessories not produced by the manufacturer. The manufacturer will not be held liable for damages caused from cleaners or soaps that etch or stain the stone top. The manufacturer is not accountable whatsoever for product installation during the warranty period. There is no further expressed warranty. The manufacturer shall not be legally responsible for incidental, consequential or special damages arising at or in connection with product use or performance except as may otherwise be accorded by law. The manufacturer disclaims any and all implied warranties.

## REPLACEMENT PARTS LIST

For replacement parts, call our customer service department at 1-866-439-9800, 8 a.m. - 8 p.m., EST, Monday - Sunday.



PART	DESCRIPTION	PART#
B	925 Engineered Carrara Top	1605VA-48-201-925 TOP
C	925 Engineered Carrara Backsplash	1605VA-48-201-925 BS
D	Sink	PU17-18X14-SQUARE
E	Upper Drawer Front	1605VA-48-201-TOP DRAWER FRONT
F	Lower Drawer Front	1605VA-48-201-BOTTOM DRAWER FRONT
G	Left Door	1605VA-48-201 LEFT DOOR
H	Right Door	1605VA-48-201 RIGHT DOOR
I	Shelf	1605VA-48-201-SHELF
AA	Touch-up pen	OF-0010
BB	Shelf Pin	B1044
CC	Pull (with screw)	1605VA-201-BN HANDLE
DD	Drawer glide set	PUDTC-14X3-HANDLE
EE	Hinge	C-90-108-5
FF	Leveler	T-1007

Printed in Vietnam

ALLEN + ROTH and logo design are trademarks or registered trademarks of LF, LLC. All rights reserved.