

49.50 cm

21.00 cm

VEVOR
TOUGH TOOLS, HALF PRICE

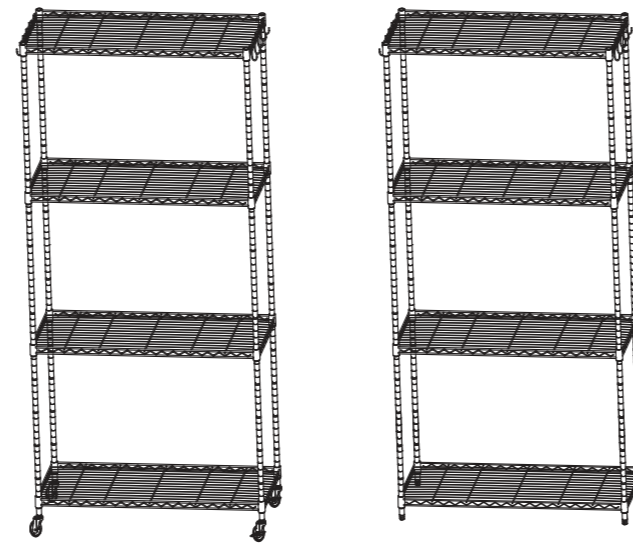
Technical Support and E-Warranty Certificate
www.vevor.com/support

**STEEL WIRE SHELF
USER MANUAL**

We continue to be committed to provide you tools with competitive price. "Save Half", "Half Price" or any other similar expressions used by us only represents an estimate of savings you might benefit from buying certain tools with us compared to the major top brands and does not necessarily mean to cover all categories of tools offered by us. You are kindly reminded to verify carefully when you are placing an order with us if you are actually saving half in comparison with the top major brands.

VEVOR
TOUGH TOOLS, HALF PRICE

STEEL WIRE SHELF
I6V0



NEED HELP? CONTACT US!

Have product questions? Need technical support? Please feel free to contact us:

CustomerService@vevor.com

This is the original instruction, please read all manual instructions carefully before operating. VEVOR reserves a clear interpretation of our user manual. The appearance of the product shall be subject to the product you received. Please forgive us that we won't inform you again if there are any technology or software updates on our product.

- 1 -

IMPORTANT SAFETY INSTRUCTIONS

	Warning - To reduce the risk of injury, user must read instructions manual carefully.
	This symbol, placed before a safety comment, indicates a kind of precaution, warning, or danger. Ignoring this warning may lead to an accident. To reduce the risk of injury, fire, or electrocution, please always follow the recommendation shown below.
	Warning- Be sure to wear eye protectors when using this product.
	Warning- Be sure to wear gloves when using this product.

WARNING!

- 1) Keep this manual for the safety warnings and precautions. The manual offers important information on how to assemble, use and maintain this product.
- 2) The maximum load bearing capacity is obtained by placing the weights equally on this product.
- 3) Do not place all the weights on the same layer.
- 4) The placement time under the maximum load bearing capacity shall not exceed 1 hour!
- 5) Please be sure to keep any parts and/or packing material in the package away from infants/toddlers/small children during the process of assembling this steel wire shelf.

ASSEMBLY PRECAUTIONS

1. Please assemble the product in strict accordance with the instructions. Incorrect assembly could be hazardous.
2. Please wear safety goggles and work gloves properly during assembly.
3. Do not try to assemble the product when feeling tired or when under the influence of alcohol, drugs or medication.

- 2 -

4. Load bearing capacity and other product parameters are applied to the properly and completely assembled product only.

USE PRECAUTIONS

1. This product is not a toy. Do not allow children to play with or get access to this item.
2. Follow the intended uses only. Do not sit or stand on the shelf.
3. Check carefully before use. Do not use if parts get loosened or damaged.
4. Use on flat, level, and hard surfaces only.
5. Do not exceed the listed load bearing capacity. Tighten all the knobs securely before placing weights on. Be aware of the dynamic load bearing capacity! Sudden load changes may temporarily cause excessive load, resulting in product failure.

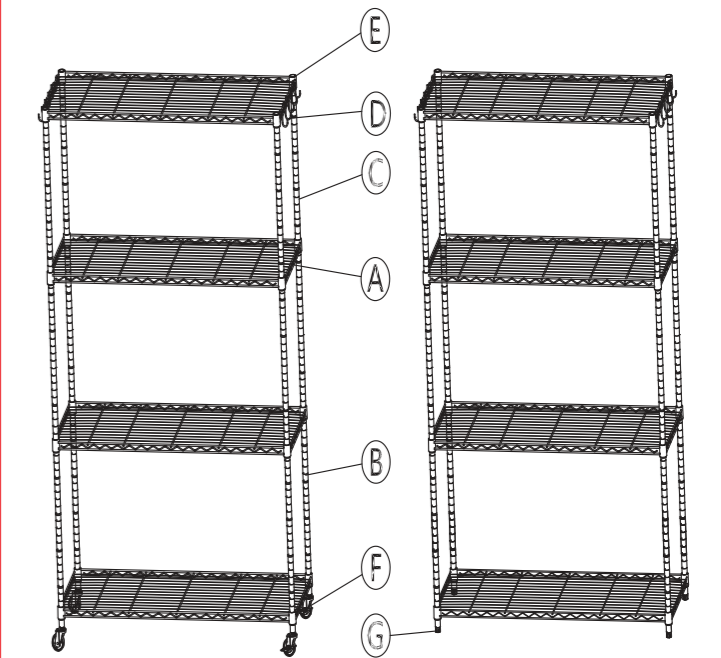
SAVE THESE INSTRUCTIONS

PRODUCT PARAMETERS

- 1) Name: Steel Wire Shelf
- 2) Model: I6V0
- 3) N.W.: 14.9kg
- 4) G.W.: 16.4kg
- 5) Package Size: 1230x470x185mm
- 6) Total dynamic load limit: 175lbs
- 7) Total static load limit with casters: 550lbs (with feet: 700lbs)
- 8) Static load limit for each layer with casters: 137.5lbs (with feet: 175lbs)

- 3 -

PART LIST



No.	A	B	C	D	E	F	G
Name	Wire Shelf	Lower Pole	Upper Pole	Hook	Plastic Clip	Caster	Leveling Foot
Parts							
Quantity	4PCS	4PCS	4PCS	10PCS	32PCS	4PCS	4PCS

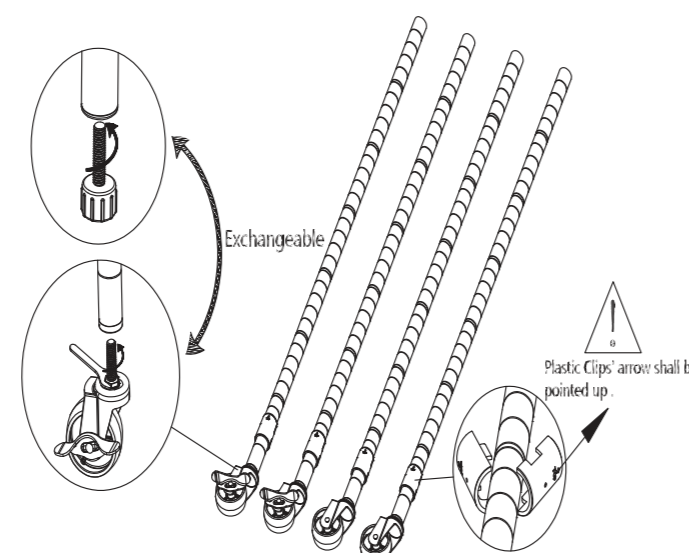
- 4 -

Attention:

For additional information regarding the parts listed below, please refer to the Assembly Diagram of this manual. Unwrap and separate all parts in a clear work area.

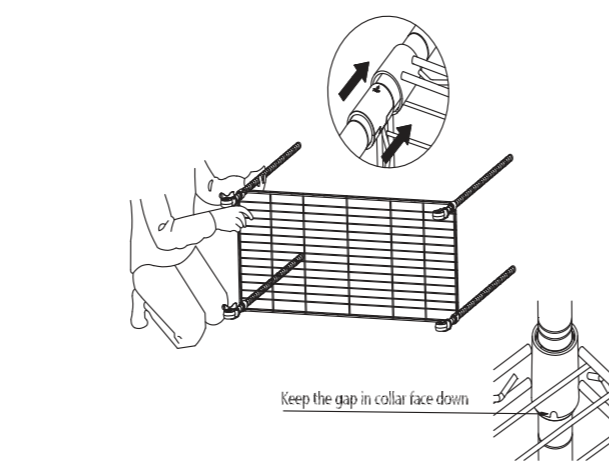
ASSEMBLY STEP

1. Screw caster(F) or leveling foot (G) into the bottom of each lower pole (B). Snap one pair of plastic clips (E) onto the grooves of each lower pole at the same position. Please make sure that the allow of all plastic clips should be pointed up.

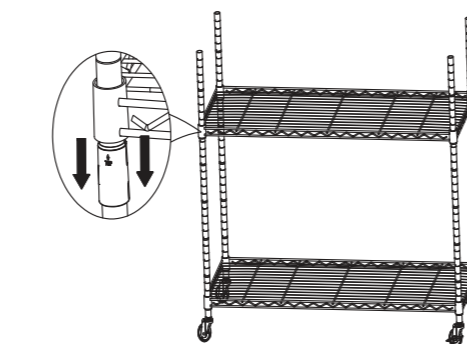


2. Please make sure that you have the third wire shelf (A) correct way up. Keep the gap in collar face down. Hold the wire shelf on its side and slide it from the top of four poles down onto the plastic clips until there is snug fit.

- 5 -

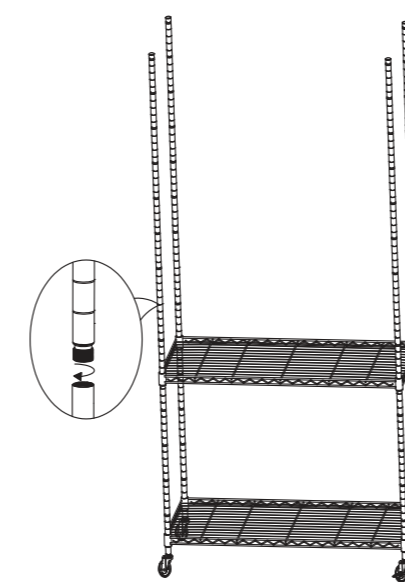


3. Set the shelf upright. Refer to Step ①, ② to snap plastic clips onto same grooves of each lower pole at your desired position and slide down the second wire shelf onto the plastic clips.

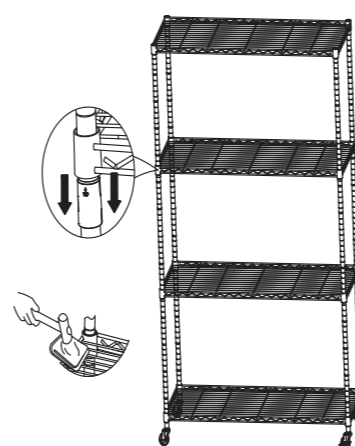


4. Screw upper poles (C) into the lower poles by screw connections assembled on the upper poles.

- 6 -

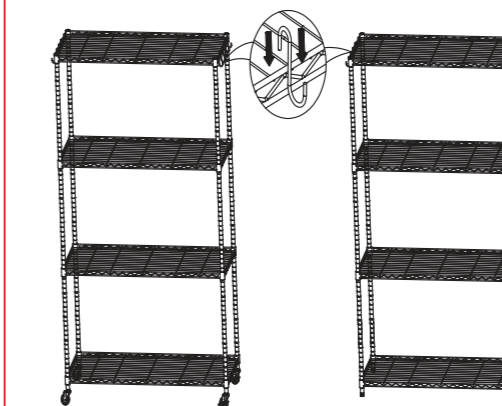


5. Refer to step ③ to snap plastic clips onto the same grooves of each pole and assemble the remaining two wire shelves as the picture. Then pushing firmly down on every wire shelf at its corners by rubber mallet (not included in the package) to make sure all wire shelves in a place over the plastic clips.



- 7 -

6. Hang the hooks (D) onto both frames of the top wire shelf pictured below. Now the whole steel wire shelf is completely assembled.



Address: Baoshanqu Shuangchenglu 803long 11hao 1602A-1609shi Shanghai

Imported to USA: VEVOR STORE INC, 9448 RINCHMOND PL #E RANCHO CUCAMONGA, California, 91730 United States of America

Made In China

- 8 -

VEVOR
TOUGH TOOLS, HALF PRICE
Technical Support and E-Warranty Certificate
www.vevor.com/support

