



WWW.VEVOR.COM

JUICE DISPENSER

OPERATION MENU

Introduction of Juice dispenser

Thanks for your choosing and using VEVOR Brand Juice dispenser machines.

To ensure that you can use normally and effectively, please pay attention to as follows:

1. Before use the machine, please read the instruction first and master the operation methods.
2. Please use it according to the performance defined on the voltage power and the relative supply power cable.
3. Please pay attention to the directions for the materials, which will not influence the normal use.
4. Pay attention to the raw materials, so as not to affect the normal use.

Part one: Purposes and Features

The VEVOR brand cold juice dispenser is manufactured by us based on absorbing the technologies from home and abroad. It can make the various beverages and juice to be delicious cold drinks. It is widely used in hotels, restaurants, entertainment venues, schools, fast food chains, etc.

It has reasonable configuration, excellent performance, pretty appearance, and simple operation. The main parts are made of the stainless steel and PVC tank, very clean and healthy. It adopts the temperature automobile controller to make it cold or hot and mounts the mixer, magnetization and the spewing fixture to make the even temperature and improve the refrigeration drinks materials at the same time.

Part two : Main technology parameters

Item \ Variety	2 tanks	3 tanks	4 tanks
Capacity(L)	12Lx2	12Lx3	12Lx4
Power supply	220~240V/50Hz/60Hz 110V/60Hz		
Power (W)	150/600	270/900	325/1200
Cold-beverage Temperature (°C)	7~12		
Cold-beverage Temperature (°C)	50~58		
Machine size (mm)	270x430x625	400x430x625	525x430x625
Net weight(kg)	22	27	33
Refrigerants	R134a		

Part three : Installing Methods and Notices

- (1) To install it, please choose the site which is flat, fixable and can avoid the direct sunshine in the summer.
- (2) Around the juice dispenser, it should have 15cm up room to make the air circulating and make sure the machine can run effectively.
- (3) Before install it, please check the supply power whether confirms to the requirements or not. The power supply cable is not too thin. The cross section of cable should be 1.5-2.5(mm)², Voltage is between (220-240V, 110-120V). To keep the users safety, it must have the reliable grounding. The socket should be mounted on the fixed position with fuse which will keep the machine running safely.

Part four: Using Methods

1. How to use the cold juice dispenser. (YSJ model)

- 1). To fill the prepared beverage into the tank, the height of the juice to the cover should be more than 70mm, otherwise, the beverage will flow out
- 2). The temperature of the beverage filled in should not too high (no exceed 35 °C), otherwise it will make a bad effect for refrigeration

- 3). When the beverage reach the proper temperature, please make the cup against the push board lightly, the beverage will flow into the cup from the outlet mouth.
- 4). When the temperature reduces to the certain degree, the refrigerator will stop running because of the influence from the temperature controller. And when temperature increases, it will start work automatically.
- 5). It should restart after 5 minutes if it turns off suddenly and stops temporarily, otherwise, it will damage the compressor.
- 6). When work is over, first switch to the "OFF" position, then cut off power supply.

2. How to Use the cold & hot juice dispenser function. (YRSJ mode)

2). Make hot beverage:

To turn the change-over switch on the heating position, then press down the heating switches, heater start to work, then start the dasher switch. (see Figure 1)

- 1). Plug in the power supply to the holes socket, the grounding hole should connect with the protectable wires or fixture to ensure the safety.
- 4). When the beverage reach the proper temperature, please make the cup against the push board lightly, the beverage will flow into the cup from the outlet mouth.
- 5). The heater can not be burnt without water; the beverage in the container should be not less than 6 Liters.
- 7). When work is over, first switch to "OFF" position, then cut off power supply.

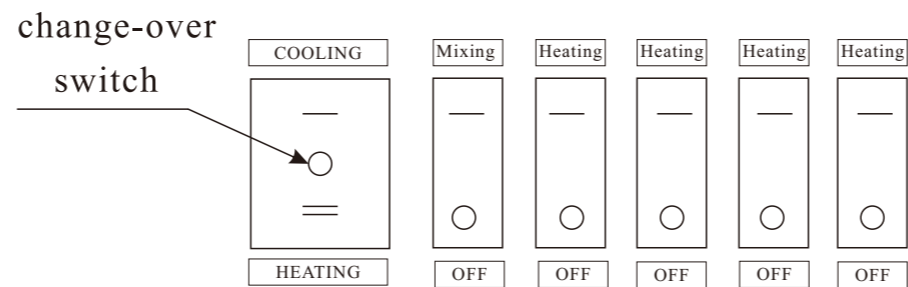


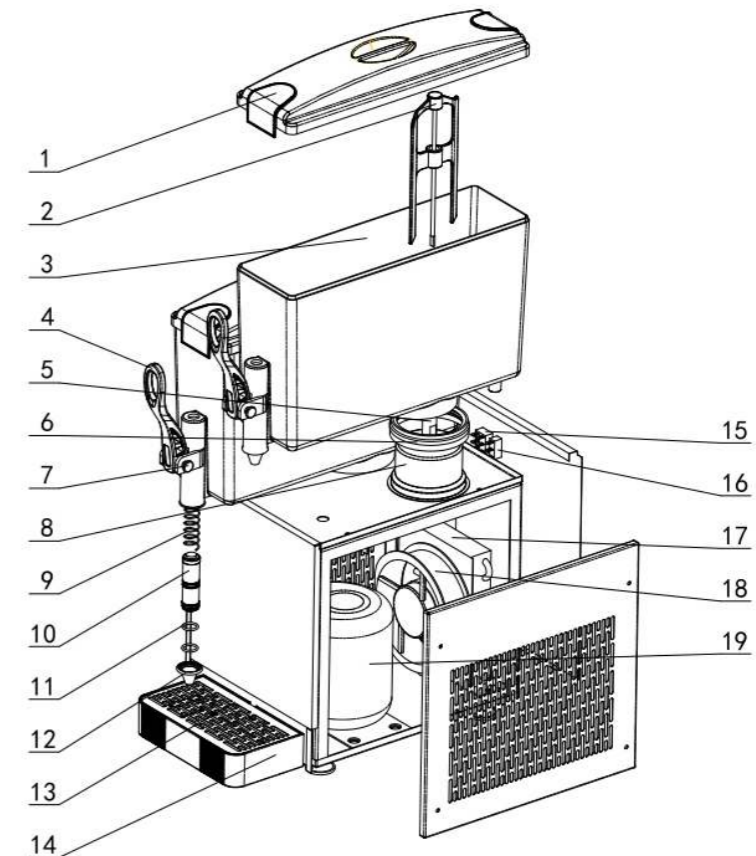
Figure 1 shows the switch position

Part five: cleaning

1. In order to make the machine keep clean, healthy, and beautiful, please wash the hoppers every day after work, the cleaning process is usually less than 10 minutes.

- 1). Cut off the power supply.
- 2). Open the cover, and take off the hopper.
- 3). Before remove the hopper, first let out the residual beverage, and gently rocking trough edge and upward to take the hopper down.

4. After machine is cleaned, please install all the parts back to the machine according to the method of disassembly, pay attention to the gasket installation.



1	Hopper lid
2	blade
3	Hopper
4	handle
5	Stirring rod
6	gasket for hopper
7	handle bolt
8	Evaporator
9	Spring for draw valve
10	draw valve
11	draw valve o-ring
12	nozzel
13	Drip-pan cover
14	drip pan
15	Main power button
16	mixing button
17	condenser
18	axial Fan
19	Compressor