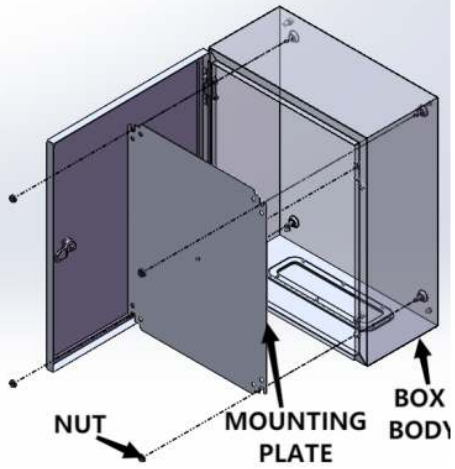
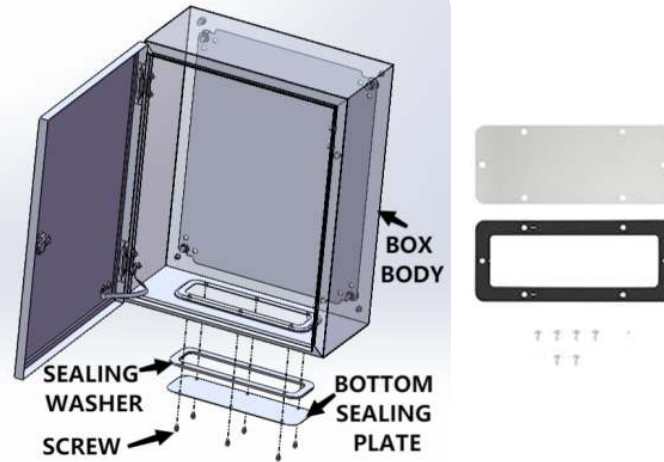


# INSTRUCTION/INSTALLATION SHEET

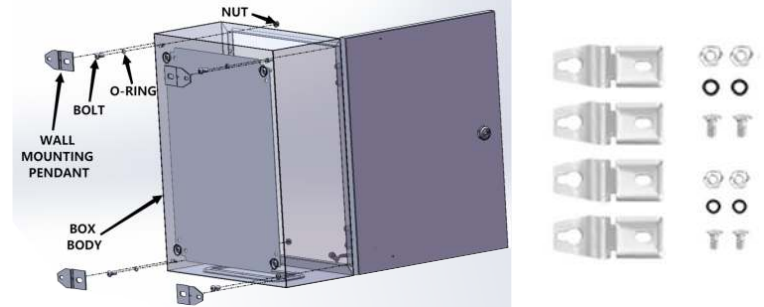
## Electric Metal Box



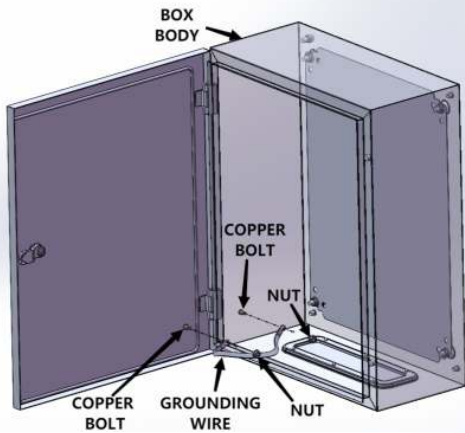
**A: Mounting Plate Installation:**  
Adopts 4pcs M8 hex head flange nut assembly mounting plate with box body.  
Notice: already assembled on box body when ex-factory.



**B: Bottom Sealing Plate Installation:**  
Adopts M5\*10mm cross self-tapping screws assembly sealing washer, bottom sealing plate with box body.  
according to your usage requirement to mount it or not.

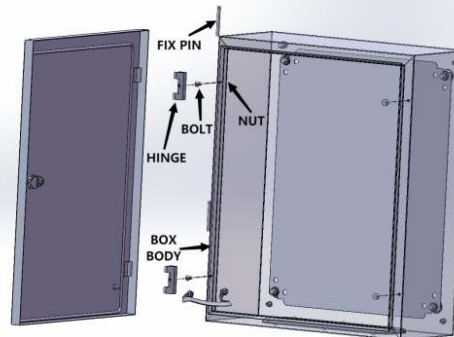


**C: Wall Mounting Pendants Installation:**  
Adopts 4pcs M8\*16mm hex head bolt, M8 O-ring, M8 nuts mounting 4pcs wall mounting pendants on the wall.

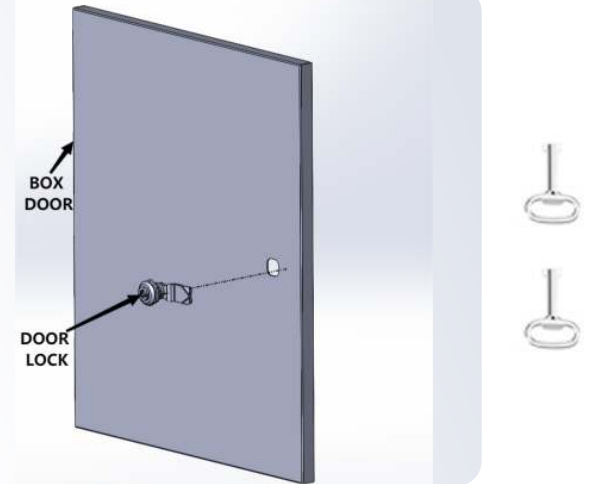


**D: Grounding Wire Installation:**  
Adopts 2pcs M6 hex head flange nut assembly grounding wire on M6\*12mm copper bolt of box door and box body.  
Notice: already assembled on box body when ex-factory.

Please read the following two sheets if you need change box door and box lock →



**E: Box Door Installation:**  
Adopts 1pcs M6\*12mm flat head cross screw, M6 O-ring, M6 hex head flange nut assembly hinge on box body, Adopts fixed pin assembly box door on hinge.  
Notice: box door already assembled on box body when ex-factory.



**F: Door Lock Installation:**  
Adopts lock nuts assembly box lock on box door. Adopts matched key to meet box door open and close.  
Notice: already assembled on box body when ex-factory.

Warning: when lock the box door, please turn lock core 90° from vertical direction to horizontal direction, make sure meet best protection level.