

VEVOR[®]

TOUGH TOOLS, HALF PRICE

Technical Support and E-Warranty Certificate

www.vevor.com/support

MODEL: 2143B

We continue to be committed to provide you tools with competitive price.

"Save Half", "Half Price" or any other similar expressions used by us only represents an estimate of savings you might benefit from buying certain tools with us compared to the major top brands and does not necessarily mean to cover all categories of tools offered by us. You are kindly reminded to verify carefully when you are placing an order with us if you are actually saving half in comparison with the top major brands.

VEVOR®

TOUGH TOOLS, HALF PRICE

MODEL: 2143B



NEED HELP? CONTACT US!

Have product questions? Need technical support? Please feel free to contact us:

Technical Support and E-Warranty Certificate
www.vevor.com/support

This is the original instruction, please read all manual instructions carefully before operating. VEVOR reserves a clear interpretation of our user manual. The appearance of the product shall be subject to the product you received. Please forgive us that we won't inform you again if there are any technology or software updates on our product.

SAFETY INSTRUCTIONS



WARNING: Read and understand this manual before assembling, installing, operating, or servicing this product. Failure to follow these warnings and instructions can cause death, personal injury or damage to valuable property.

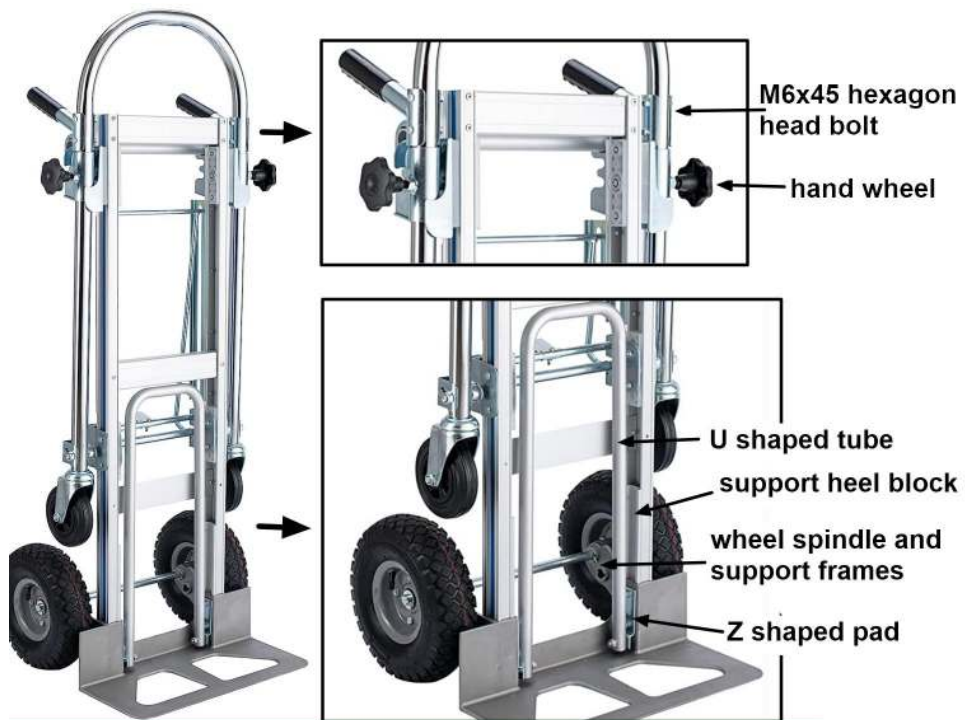
1. Please do not put it near flammable materials.
2. It is forbidden to carry people under any condition.
3. This product cannot be used to go up or down stairs.
4. Overload is strictly prohibited.
5. Don't move too fast when passing pothole areas.

SAVE THESE INSTRUCTIONS

INSTALLATION NOTES

1. Prepare all installation parts.





physical detail diagram

PRODUCT PARAMETERS

Material	Alloy Aluminium +Alloy Steel		
How to use			
	way 1	way 2	way 3
Load capacity	Normal use is no more than 550 pounds, and extreme use is no more than 1000 pounds.	Normal use is no more than 220 pounds, and extreme use is no more than 800 pounds.	No more than 220 lbs is recommended.

MAINTENANCE

1. Avoid prolonged exposure to the sun to avoid aging.
2. Inspect accessories for wear, cracks and other damage before use, and replace defective accessories immediately.

Manufacturer: Shanghaimuxinmuyeyouxiangongsi

Address: Shuangchenglu 803nong11hao1602A-1609shi, baoshanqu, shanghai 200000 CN.

Imported to AUS: SIHAO PTY LTD, 1 ROKEVA STREETEASTWOOD NSW 2122 Australia

Imported to USA: Sanven Technology Ltd., Suite 250, 9166 Anaheim Place, Rancho Cucamonga, CA 91730

EC	REP
-----------	------------

E-CrossStu GmbH
Mainzer Landstr.69, 60329 Frankfurt am Main.

UK	REP
-----------	------------

YH CONSULTING LIMITED.
C/O YH Consulting Limited Office 147, Centurion House,
London Road, Staines-upon-Thames, Surrey, TW18 4AX

VEVOR[®]

TOUGH TOOLS, HALF PRICE

Technical Support and E-Warranty Certificate

www.vevor.com/support

VEVOR[®]

TOUGH TOOLS, HALF PRICE

Technique Certificat d'assistance et de garantie électronique

www.vevor.com/support

MODÈLE : 2143B

We continue to be committed to provide you tools with competitive price. "Save Half", "Half Price" or any other similar expressions used by us only represents an estimate of savings you might benefit from buying certain tools with us compared to the major top brands and does not necessarily mean to cover all categories of tools offered by us. You are kindly reminded to verify carefully when you are placing an order with us if you are actually saving half in comparison with the top major brands.

VEVOR®

TOUGH TOOLS, HALF PRICE

MODÈLE : 2143B



NEED HELP? CONTACT US!

Have product questions? Need technical support? Please feel free to contact us:

Technical Support and E-Warranty Certificate
www.vevor.com/support

This is the original instruction, please read all manual instructions carefully before operating. VEVOR reserves a clear interpretation of our user manual. The appearance of the product shall be subject to the product you received. Please forgive us that we won't inform you again if there are any technology or software updates on our product.

SAFETY INSTRUCTIONS



AVERTISSEMENT : Lisez et comprenez ce manuel avant l'assemblage, l'installation, l'utilisation ou l'entretien de ce produit. Le non-respect de ces avertissements et instructions peut entraîner la mort, des blessures corporelles ou des dommages matériels.

6. Veuillez ne pas le placer à proximité de matériaux inflammables.
7. Il est interdit de transporter des personnes sous quelque condition que ce soit.
8. Ce produit ne peut pas être utilisé pour monter ou descendre des escaliers.
9. La surcharge est strictement interdite.
10. Ne vous déplacez pas trop vite lorsque vous passez près de nids-de-poule.

CONSERVEZ CES INSTRUCTIONS

INSTALLATION NOTES

1. Préparez toutes les pièces d' installation.



2. Comme indiqué ci-dessous, assemblez le produit en combinant le schéma d'instructions d'installation et le schéma de détails physiques.

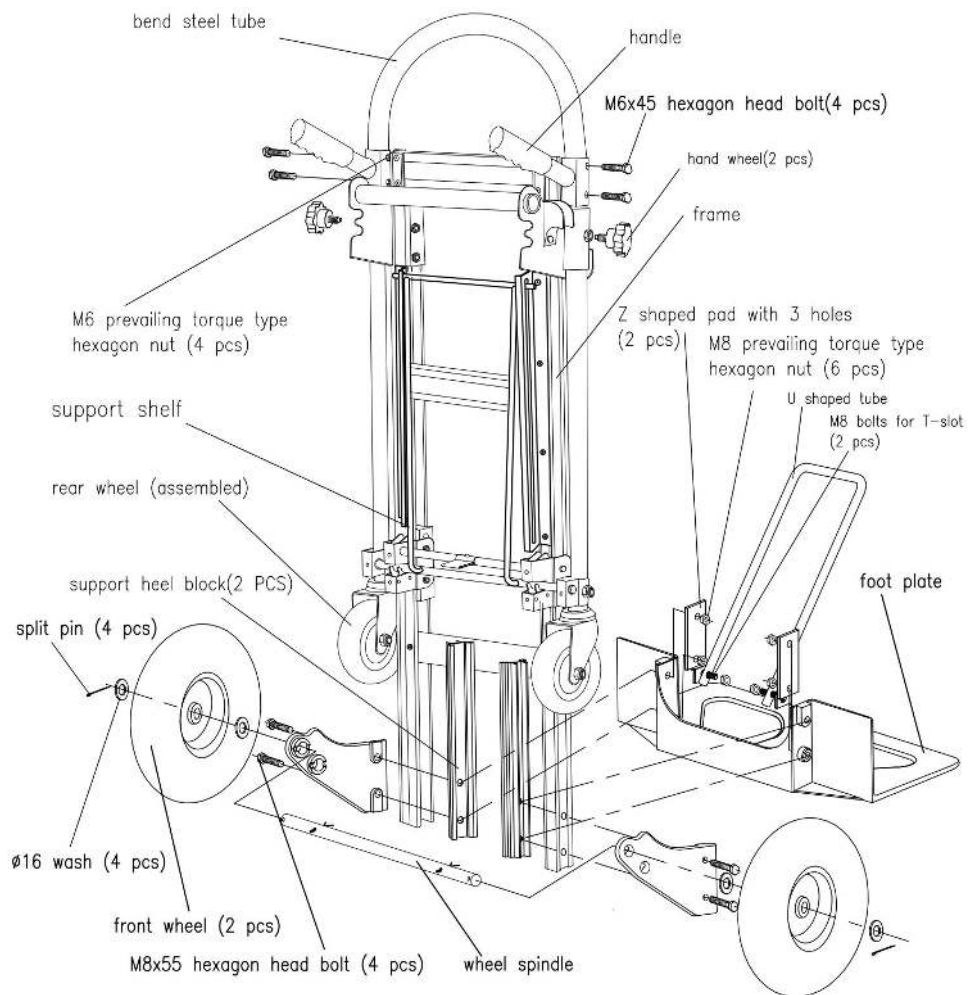


diagramme d'instructions

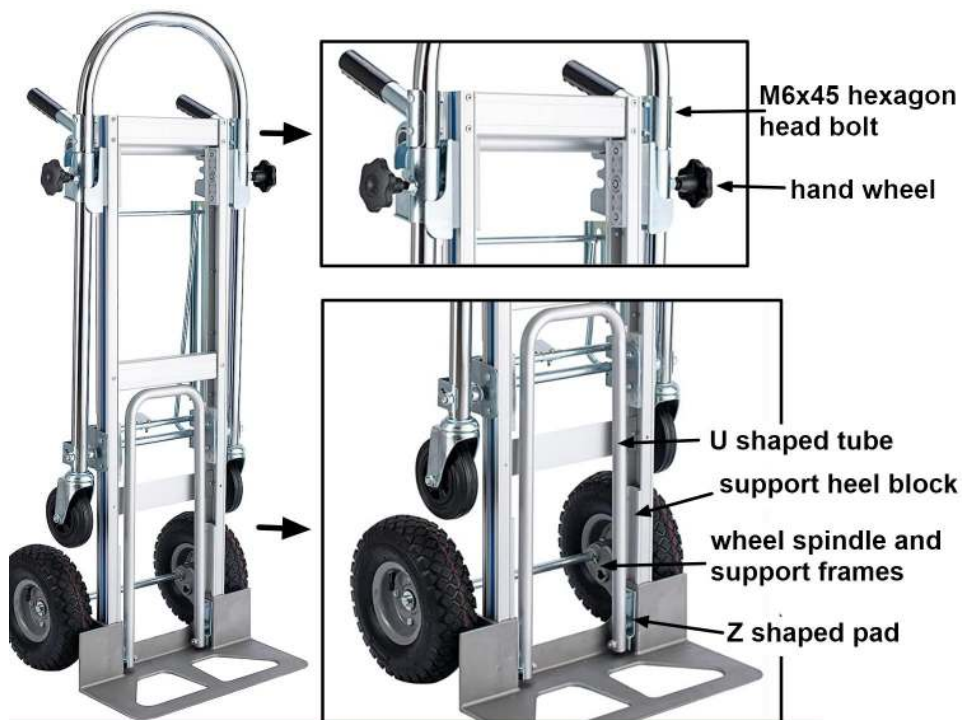





diagramme de détail physique

PRODUCT PARAMETERS

Matériel	Alliage d'aluminium + alliage d'acier		
Comme nt utiliser			
	voie 1	voie 2	voie 3
Capacité de charge	L'utilisation normale ne dépasse pas 550 livres et l'utilisation extrême ne dépasse pas 1 000 livres.	L'utilisation normale ne dépasse pas 220 livres et l'utilisation extrême ne dépasse pas 800 livres.	Un poids maximum de 220 lb est recommandé.

MAINTENANCE

3. Évitez l'exposition prolongée au soleil pour éviter le vieillissement.
4. Inspectez les accessoires pour détecter l'usure, les fissures et autres dommages avant utilisation et remplacez immédiatement les accessoires défectueux.

Fabricant : Shanghaimuxinmuyeyouxiangongsi

Adresse : Shuangchenglu 803nong11hao1602A-1609shi, baoshanqu, Shanghai 200000 CN.

Importé en Australie : SIHAO PTY LTD, 1 ROKEVA STREET, ASTWOOD NSW 2122 Australie

Importé aux États-Unis : Sanven Technology Ltd., Suite 250, 9166 Anaheim Place, Rancho Cucamonga, CA 91730

EC	REP
-----------	------------

E-CrossStu GmbH
Mainzer Landstr.69, 60329 Frankfurt am Main.

UK	REP
-----------	------------

YH CONSULTING LIMITED.
C/O YH Consulting Limited Office 147, Centurion House,
London Road, Staines-upon-Thames, Surrey, TW18 4AX

VEVOR[®]

TOUGH TOOLS, HALF PRICE

Technique Certificat d'assistance et de garantie électronique

www.vevor.com/support

VEVOR[®]

TOUGH TOOLS, HALF PRICE

Technisch Support und E-Garantie-Zertifikat

www.vevor.com/support

MODELL: 2143B

We continue to be committed to provide you tools with competitive price.

"Save Half", "Half Price" or any other similar expressions used by us only represents an estimate of savings you might benefit from buying certain tools with us compared to the major top brands and does not necessarily mean to cover all categories of tools offered by us. You are kindly reminded to verify carefully when you are placing an order with us if you are actually saving half in comparison with the top major brands.

VEVOR®

TOUGH TOOLS, HALF PRICE

MODELL: 2143B



NEED HELP? CONTACT US!

Have product questions? Need technical support? Please feel free to contact us:

Technical Support and E-Warranty Certificate
www.vevor.com/support

This is the original instruction, please read all manual instructions carefully before operating. VEVOR reserves a clear interpretation of our user manual. The appearance of the product shall be subject to the product you received. Please forgive us that we won't inform you again if there are any technology or software updates on our product.

SAFETY INSTRUCTIONS



WARNUNG: Lesen und verstehen Sie dieses Handbuch, bevor Sie Montage, Installation, Betrieb oder Wartung dieses Produkts. Die Nichtbeachtung dieser Warnungen und Anweisungen kann zum Tod, zu Verletzungen oder zur Beschädigung wertvoller Sachwerte führen.

11. Bitte stellen Sie es nicht in die Nähe von brennbaren Materialien.
12. Die Beförderung von Personen ist unter allen Umständen verboten.
13. Dieses Produkt kann nicht zum Treppensteigen verwendet werden.
14. Eine Überlastung ist strengstens untersagt.
15. Fahren Sie nicht zu schnell durch Bereiche mit Schlaglöchern.

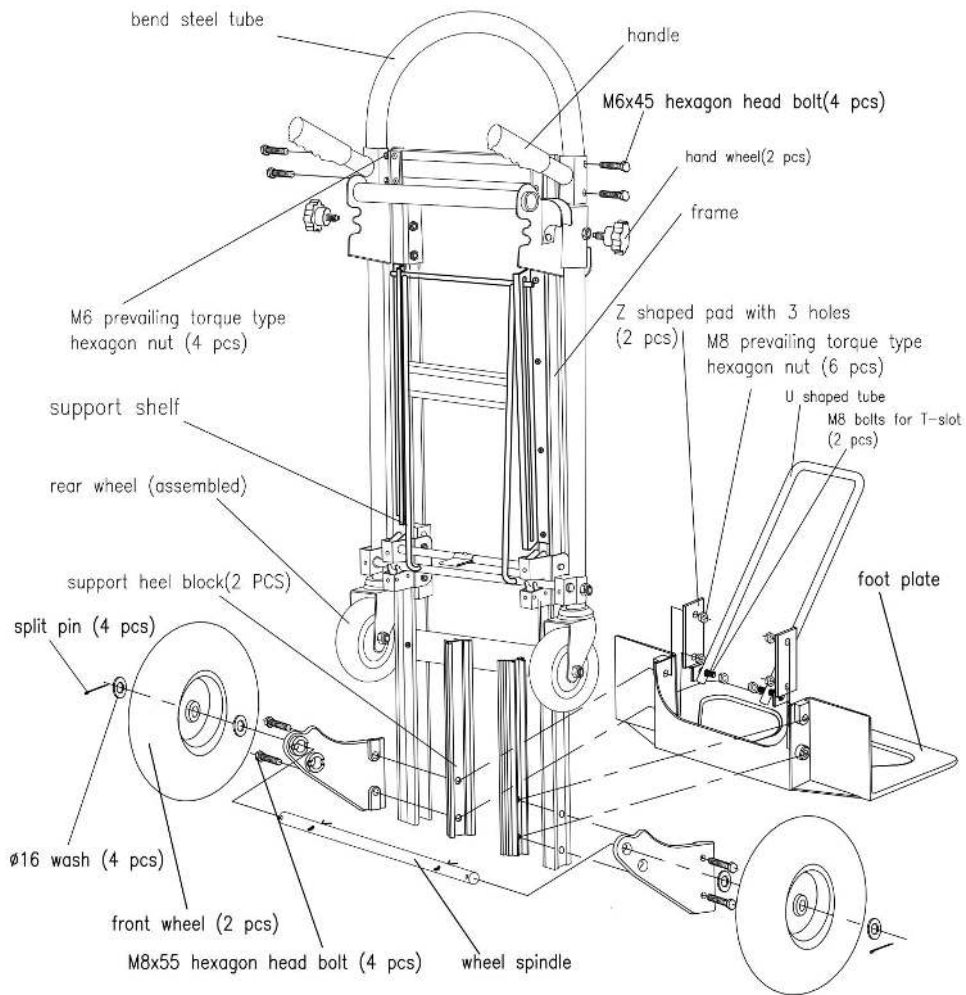
BEWAHREN SIE DIESE ANWEISUNGEN AUF

INSTALLATION NOTES

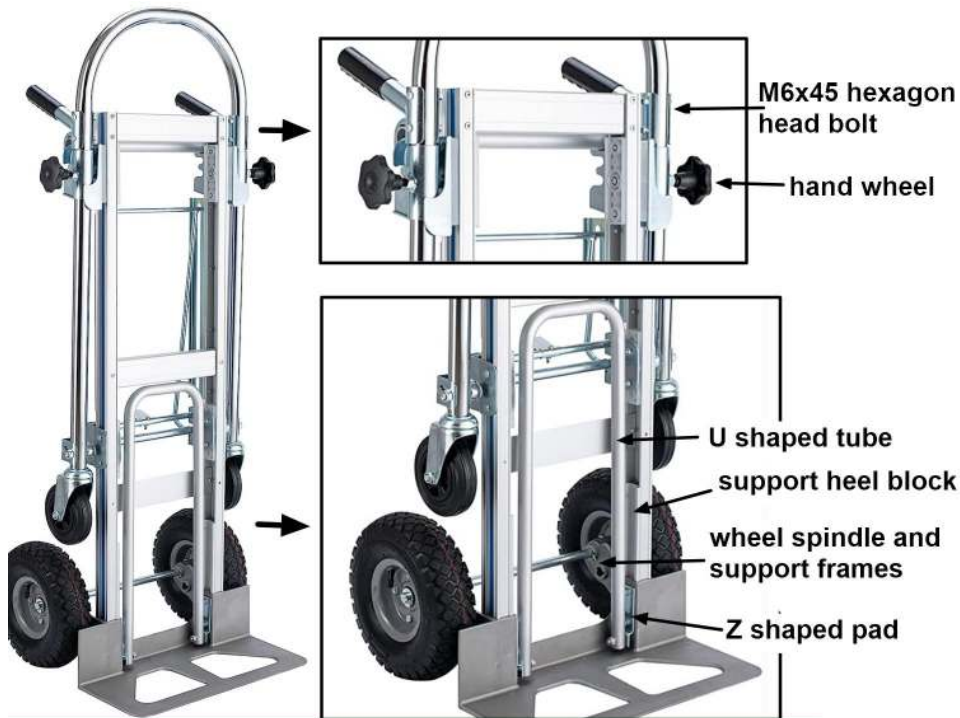
1. Bereiten Sie alle Installationsteile vor.



2. Bauen Sie das Produkt wie unten gezeigt zusammen, indem Sie das Installationsanleitungdiagramm und das physische Detaildiagramm kombinieren.






Anleitungsdiagramm



physikalisches Detaildiagramm

PRODUCT PARAMETERS

Material	Legiertes Aluminium + legierter Stahl		
Anwendung			
	Weg 1	Weg 2	Weg 3
Tragfähigkeit	<p>Bei normaler Nutzung beträgt das Gewicht nicht mehr als 550 Pfund, bei extremer Nutzung nicht mehr als 1000 Pfund.</p>	<p>Bei normaler Nutzung beträgt das maximale Gewicht 220 Pfund, bei extremer Nutzung nicht mehr als 800 Pfund.</p>	<p>Es werden nicht mehr als 220 Pfund empfohlen.</p>

MAINTENANCE

5. Vermeiden Sie längere Sonneneinstrahlung, um der Hautalterung vorzubeugen.
6. Überprüfen Sie Zubehör vor dem Gebrauch auf Verschleiß, Risse und andere Schäden und ersetzen Sie defektes Zubehör sofort.

Hersteller: Shanghaimuxinmuyeyouxiangongsi

Adresse: Shuangchenglu 803nong11hao1602A-1609shi, baoshanqu, Shanghai 200000 CN.

Nach AUS importiert: SIHAO PTY LTD, 1 ROKEVA STREETEASTWOOD NSW 2122 Australien

Importiert in die USA: Sanven Technology Ltd., Suite 250, 9166 Anaheim Place, Rancho Cucamonga, CA 91730

EC	REP
-----------	------------

E-CrossStu GmbH
Mainzer Landstr.69, 60329 Frankfurt am Main.

UK	REP
-----------	------------

YH CONSULTING LIMITED.
C/O YH Consulting Limited Office 147, Centurion House,
London Road, Staines-upon-Thames, Surrey, TW18 4AX

VEVOR[®]

TOUGH TOOLS, HALF PRICE

Technisch Support und E-Garantie-Zertifikat

www.vevor.com/support

VEVOR[®]

TOUGH TOOLS, HALF PRICE

Tecnico Supporto e certificato di garanzia elettronica

www.vevor.com/support

MODELLO: 2143B

We continue to be committed to provide you tools with competitive price.

"Save Half", "Half Price" or any other similar expressions used by us only represents an estimate of savings you might benefit from buying certain tools with us compared to the major top brands and does not necessarily mean to cover all categories of tools offered by us. You are kindly reminded to verify carefully when you are placing an order with us if you are actually saving half in comparison with the top major brands.

VEVOR®

TOUGH TOOLS, HALF PRICE

MODELLO: 2143B



NEED HELP? CONTACT US!

Have product questions? Need technical support? Please feel free to contact us:

Technical Support and E-Warranty Certificate
www.vevor.com/support

This is the original instruction, please read all manual instructions carefully before operating. VEVOR reserves a clear interpretation of our user manual. The appearance of the product shall be subject to the product you received. Please forgive us that we won't inform you again if there are any technology or software updates on our product.

SAFETY INSTRUCTIONS



ATTENZIONE: leggere e comprendere questo manuale prima montaggio, installazione, funzionamento o manutenzione di questo prodotto. La mancata osservanza di queste avvertenze e istruzioni può causare morte, lesioni personali o danni a beni di valore.

16. Si prega di non posizionarlo vicino a materiali infiammabili.
17. È vietato trasportare persone in qualsiasi condizione.
18. Questo prodotto non può essere utilizzato per salire o scendere le scale.
19. Il sovraccarico è severamente vietato.
20. Non muoversi troppo velocemente quando si passa in zone con buche.

SALVA QUESTE ISTRUZIONI

INSTALLATION NOTES

1. Preparare tutti i componenti per l'installazione.



2. Come mostrato di seguito, assemblare il prodotto combinando lo schema delle istruzioni di installazione e lo schema dei dettagli fisici.

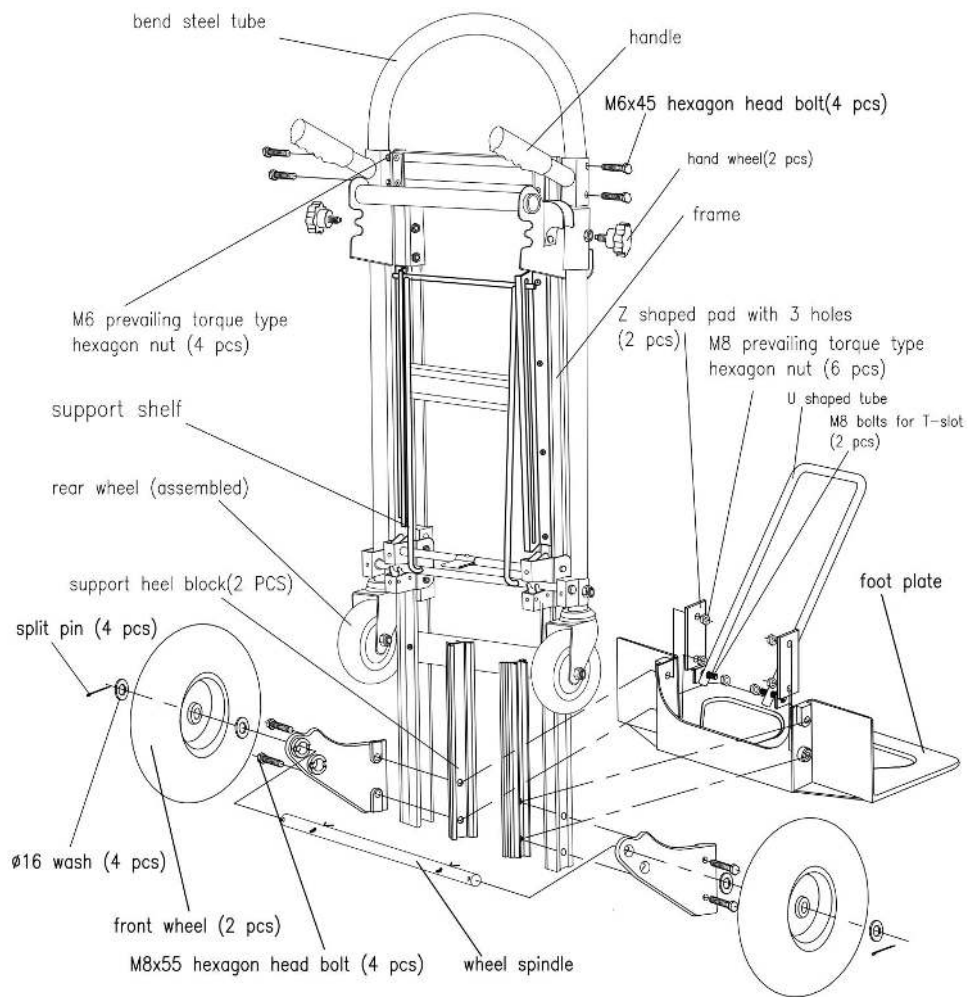


diagramma di istruzioni

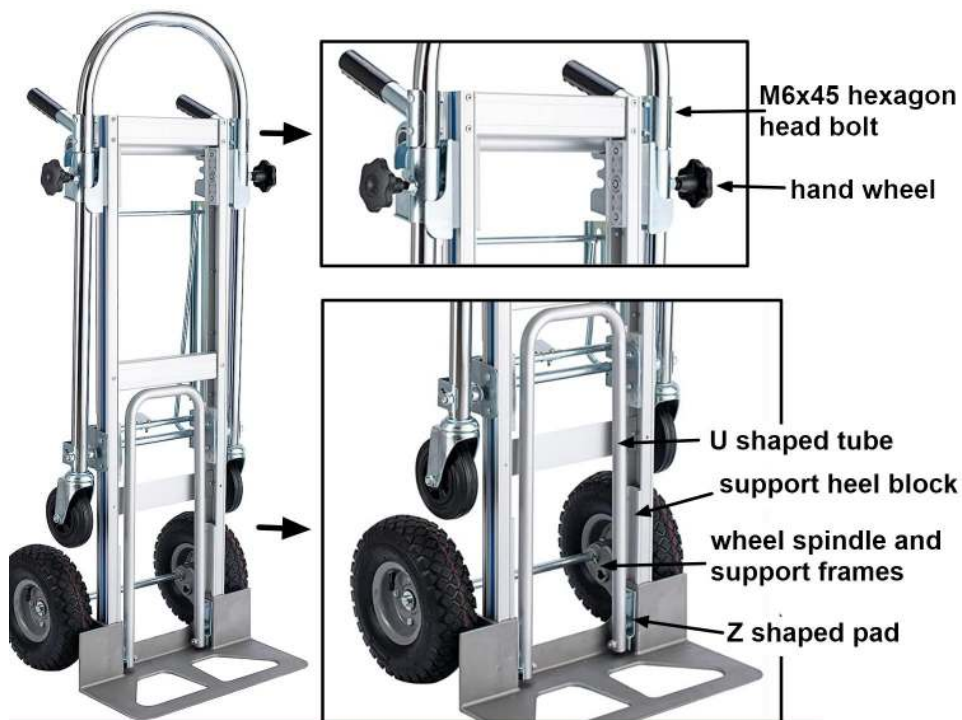





diagramma dei dettagli fisici

PRODUCT PARAMETERS

Material e	Lega di alluminio + lega di acciaio		
Come usare			
	modo 1	modo 2	modo 3
Capacità di carico	L'uso normale non supera le 550 libbre, mentre l'uso estremo non supera le 1000 libbre.	L'uso normale non supera i 220 libbre, mentre l'uso estremo non supera gli 800 libbre.	Si raccomanda di non superare i 220 libbre.

MAINTENANCE

7. Evitare l'esposizione prolungata al sole per prevenire l'invecchiamento.
8. Prima dell'uso, ispezionare gli accessori per verificare che non presentino usura, crepe o altri danni e sostituire immediatamente quelli difettosi.

Produttore: Shanghaimuxinmuyeyouxiangongsi

Indirizzo: Shuangchenglu 803nong11hao1602A-1609shi, baoshanqu, shanghai 200000 CN.

Importato in AUS: SIHAO PTY LTD, 1 ROKEVA STREETEASTWOOD NSW 2122 Australia

Importato negli USA: Sanven Technology Ltd., Suite 250, 9166 Anaheim Place, Rancho Cucamonga, CA 91730

EC	REP
-----------	------------

E-CrossStu GmbH
Mainzer Landstr.69, 60329 Frankfurt am Main.

UK	REP
-----------	------------

YH CONSULTING LIMITED.
C/O YH Consulting Limited Office 147, Centurion House,
London Road. Staines-upon-Thames. Surrey. TW18 4AX

VEVOR[®]

TOUGH TOOLS, HALF PRICE

Tecnico Supporto e certificato di garanzia elettronica

www.vevor.com/support

VEVOR[®]

TOUGH TOOLS, HALF PRICE

Técnico Certificado de soporte y garantía electrónica

www.vevor.com/support

MODELO: 2143B

We continue to be committed to provide you tools with competitive price.

"Save Half", "Half Price" or any other similar expressions used by us only represents an estimate of savings you might benefit from buying certain tools with us compared to the major top brands and does not necessarily mean to cover all categories of tools offered by us. You are kindly reminded to verify carefully when you are placing an order with us if you are actually saving half in comparison with the top major brands.

VEVOR[®]

TOUGH TOOLS, HALF PRICE

MODELO: 2143B



NEED HELP? CONTACT US!

Have product questions? Need technical support? Please feel free to contact us:

Technical Support and E-Warranty Certificate
www.vevor.com/support

This is the original instruction, please read all manual instructions carefully before operating. VEVOR reserves a clear interpretation of our user manual. The appearance of the product shall be subject to the product you received. Please forgive us that we won't inform you again if there are any technology or software updates on our product.

SAFETY INSTRUCTIONS



ADVERTENCIA: Lea y comprenda este manual antes ensamblar, instalar, operar o realizar el mantenimiento de este producto. No seguir estas advertencias e instrucciones puede causar la muerte, lesiones personales o daños a bienes valiosos.

21. No lo coloque cerca de materiales inflamables.
22. Está prohibido transportar personas bajo cualquier condición.
23. Este producto no se puede utilizar para subir o bajar escaleras.
24. La sobrecarga está estrictamente prohibida.
25. No te muevas demasiado rápido al pasar por zonas con baches.

GUARDE ESTAS INSTRUCCIONES

INSTALLATION NOTES

1. Prepare todas las piezas de instalación.



2. Como se muestra a continuación, ensamble el producto combinando el diagrama de instrucciones de instalación y el diagrama de detalles físicos.

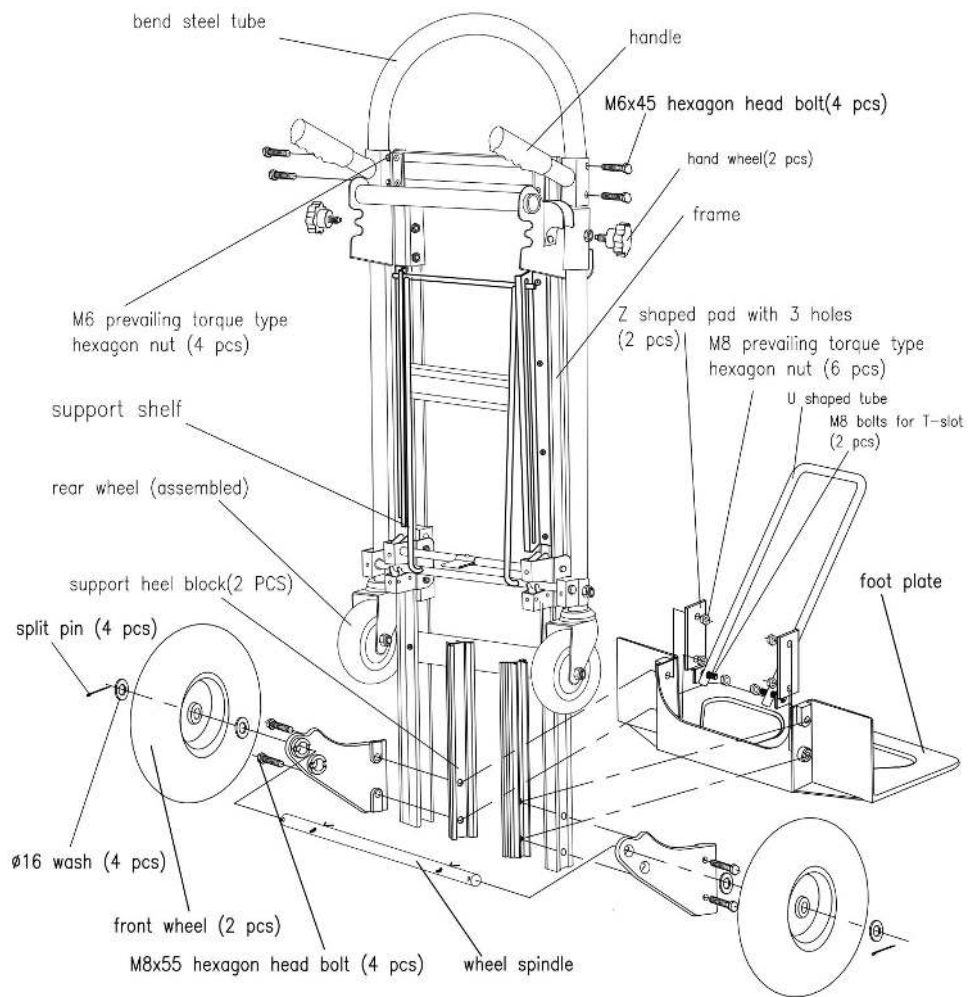


Diagrama de instrucciones

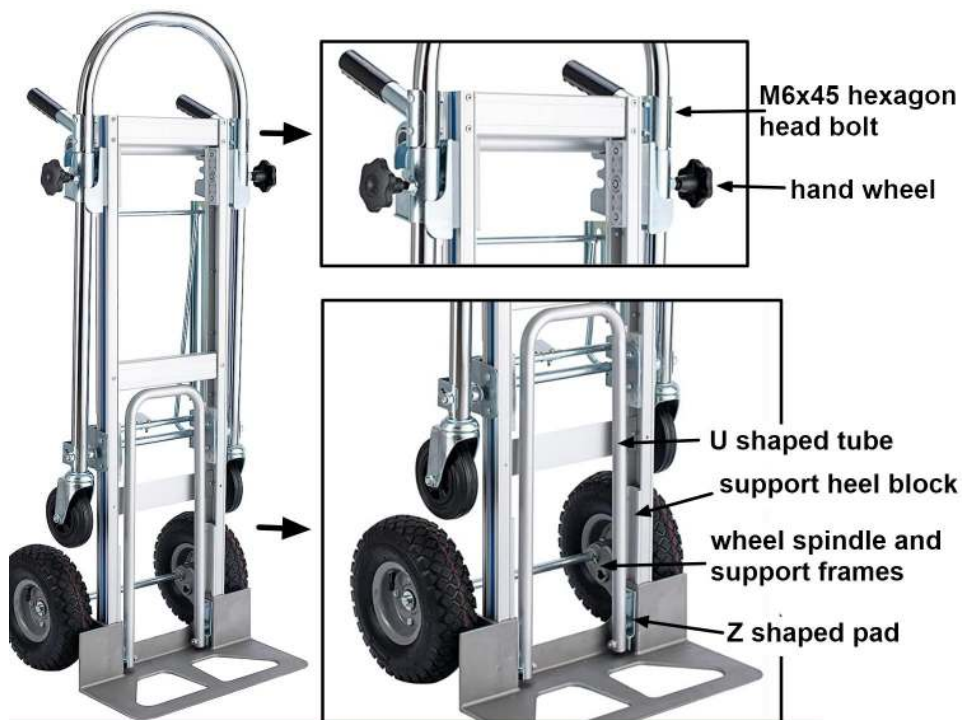


Diagrama de detalle físico

PRODUCT PARAMETERS

Material	Aleación de aluminio + aleación de acero		
Cómo utilizar			
	Camino 1	Camino 2	Camino 3
Capacidad de carga	<p>El uso normal no supera las 550 libras y el uso extremo no supera las 1000 libras.</p>	<p>El uso normal no supera las 220 libras y el uso extremo no supera las 800 libras.</p>	<p>No se recomienda más de 220 libras.</p>

MAINTENANCE

9. Evite la exposición prolongada al sol para evitar el envejecimiento.
10. Inspeccione los accesorios para detectar desgaste, grietas y otros daños antes de usarlos y reemplace los accesorios defectuosos inmediatamente.

Fabricante: Shanghaimuxinmuyeyouxiangongsi

Dirección: Shuangchenglu 803nong11hao1602A-1609shi, baoshanqu, shanghai 200000 CN.

Importado a AUS: SIHAO PTY LTD, 1 ROKEVA STREETEASTWOOD NSW 2122 Australia

Importado a EE. UU.: Sanven Technology Ltd., Suite 250, 9166 Anaheim Place, Rancho Cucamonga, CA 91730

EC	REP
-----------	------------

E-CrossStu GmbH
Mainzer Landstr.69, 60329 Frankfurt am Main.

UK	REP
-----------	------------

YH CONSULTING LIMITED.
C/O YH Consulting Limited Office 147, Centurion House,
London Road, Staines-upon-Thames, Surrey, TW18 4AX

VEVOR[®]

TOUGH TOOLS, HALF PRICE

Técnico Certificado de soporte y garantía electrónica

www.vevor.com/support

VEVOR[®]

TOUGH TOOLS, HALF PRICE

Techniczny Wsparcie i certyfikat e-gwarancji

www.vevor.com/support

MODEL: 2143B

We continue to be committed to provide you tools with competitive price.

"Save Half", "Half Price" or any other similar expressions used by us only represents an estimate of savings you might benefit from buying certain tools with us compared to the major top brands and does not necessarily mean to cover all categories of tools offered by us. You are kindly reminded to verify carefully when you are placing an order with us if you are actually saving half in comparison with the top major brands.

VEVOR[®]

TOUGH TOOLS, HALF PRICE

MODEL: 2143B



NEED HELP? CONTACT US!

Have product questions? Need technical support? Please feel free to contact us:

Technical Support and E-Warranty Certificate
www.vevor.com/support

This is the original instruction, please read all manual instructions carefully before operating. VEVOR reserves a clear interpretation of our user manual. The appearance of the product shall be subject to the product you received. Please forgive us that we won't inform you again if there are any technology or software updates on our product.

SAFETY INSTRUCTIONS



OSTRZEŻENIE: Przed przystąpieniem do użytkowania należy przeczytać i zrozumieć niniejszą instrukcję. montaż, instalacja, obsługa lub serwisowanie tego produktu.

Nieprzestrzeganie tych ostrzeżeń i instrukcji może spowodować śmierć, obrażenia ciała lub uszkodzenie cennego mienia.

26. Proszę nie umieszczać go w pobliżu materiałów łatwopalnych.
27. Przewożenie osób jest zabronione pod żadnym pozorem.
28. Produktu nie można używać do wchodzenia lub schodzenia po schodach.
29. Przeciężanie jest surowo zabronione.
30. Nie poruszaj się zbyt szybko przy pokonywaniu dziur w drodze.

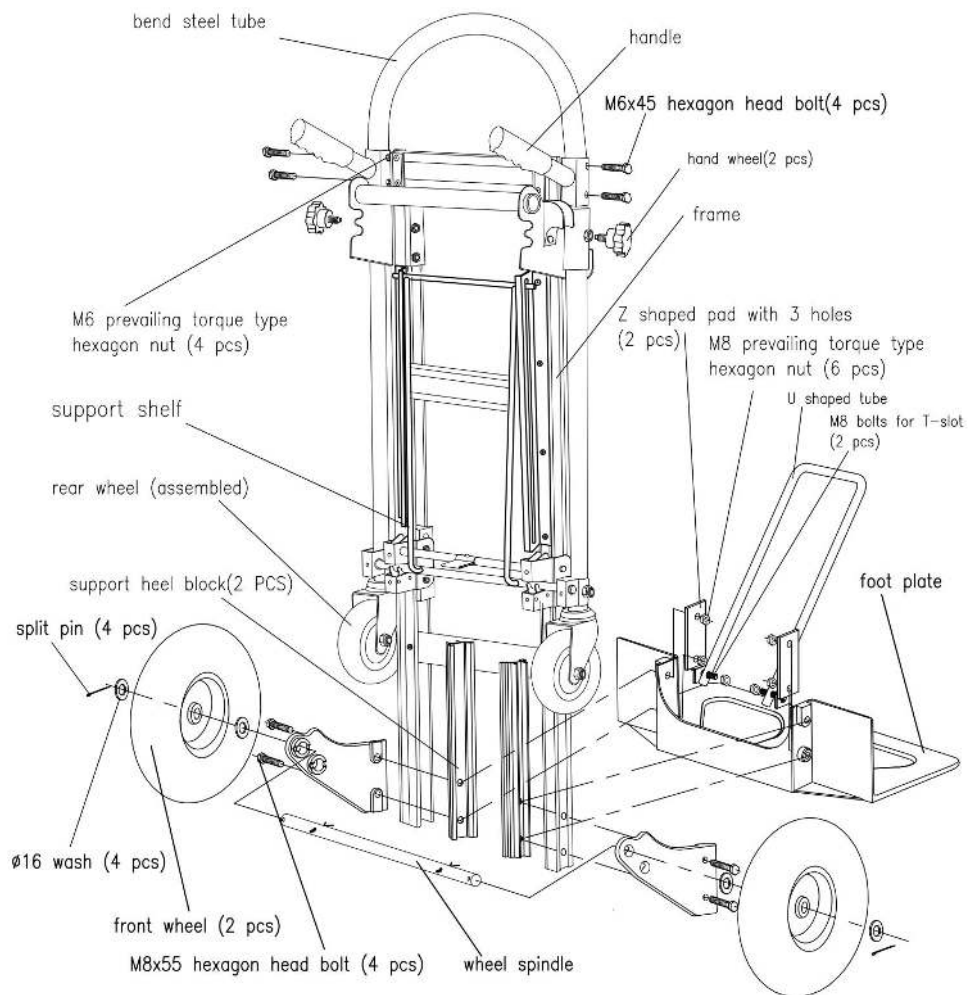
ZAPISZ TE INSTRUKCJE

INSTALLATION NOTES

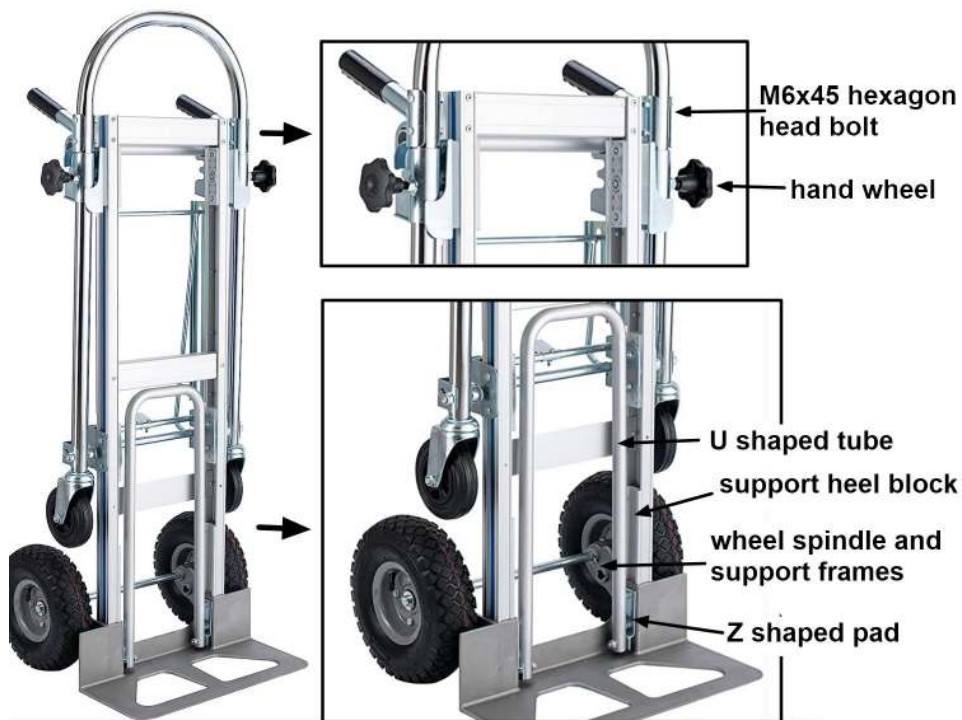
1. Przygotuj wszystkie części instalacyjne.



2. Złóż produkt, jak pokazano poniżej, łącząc schemat instalacji ze schematem szczegółów fizycznych.






schemat instrukcji



schemat szczegółów fizycznych

PRODUCT PARAMETERS

Tworzywo	Stop aluminium + stop stali		
Jak używać			
	sposób 1	sposób 2	sposób 3
Nośność	<p>Normalne użytkowanie nie przekracza 550 funtów, a ekstremalne użytkowanie - 1000 funtów.</p>	<p>Normalne użytkowanie nie przekracza 220 funtów, a ekstremalne użytkowanie - 800 funtów.</p>	<p>Zaleca się nie przekraczać 220 funtów.</p>

MAINTENANCE

11. Aby zapobiec starzeniu się skóry, należy unikać długotrwałego wystawiania się na działanie promieni słonecznych.
12. Przed użyciem należy sprawdzić, czy akcesoria nie są zużyte, popękane lub uszkodzone. Wadliwe akcesoria należy niezwłocznie wymienić.

Producent: Shanghaimuxinmuyeyouxiangongsi

Adres: Shuangchenglu 803nong11hao1602A-1609shi, baoshanqu, szanghai 200000 CN.

Importowane do AUS: SIHAO PTY LTD, 1 ROKEVA STREETEASTWOOD NSW 2122 Australia

Importowane do USA: Sanven Technology Ltd., Suite 250, 9166 Anaheim Place, Rancho Cucamonga, CA 91730

EC	REP
-----------	------------

E-CrossStu GmbH
Mainzer Landstr.69, 60329 Frankfurt am Main.

UK	REP
-----------	------------

YH CONSULTING LIMITED.
C/O YH Consulting Limited Office 147, Centurion House,
London Road. Staines-upon-Thames. Surrey. TW18 4AX

VEVOR[®]

TOUGH TOOLS, HALF PRICE

Techniczny Wsparcie i certyfikat e-gwarancji

www.vevor.com/support

VEVOR[®]

TOUGH TOOLS, HALF PRICE

Technisch Ondersteuning en E-garantiecertificaat

www.vevor.com/support

MODEL: 2143B

We continue to be committed to provide you tools with competitive price.

"Save Half", "Half Price" or any other similar expressions used by us only represents an estimate of savings you might benefit from buying certain tools with us compared to the major top brands and does not necessarily mean to cover all categories of tools offered by us. You are kindly reminded to verify carefully when you are placing an order with us if you are actually saving half in comparison with the top major brands.

VEVOR[®]

TOUGH TOOLS, HALF PRICE

MODEL: 2143B



NEED HELP? CONTACT US!

Have product questions? Need technical support? Please feel free to contact us:

Technical Support and E-Warranty Certificate
www.vevor.com/support

This is the original instruction, please read all manual instructions carefully before operating. VEVOR reserves a clear interpretation of our user manual. The appearance of the product shall be subject to the product you received. Please forgive us that we won't inform you again if there are any technology or software updates on our product.

SAFETY INSTRUCTIONS



WAARSCHUWING: Lees en begrijp deze handleiding voordat u het monteren, installeren, bedienen of onderhouden van dit product. Het niet opvolgen van deze waarschuwingen en instructies kan leiden tot overlijden, persoonlijk letsel of schade aan waardevolle eigendommen.

31. Plaats het niet in de buurt van brandbare materialen.
32. Het is onder geen enkele voorwaarde toegestaan om personen te vervoeren.
33. Dit product kan niet gebruikt worden om trappen op of af te gaan.
34. Overbelasting is ten strengste verboden.
35. Rijd niet te snel als u een kuil in de weg passeert.

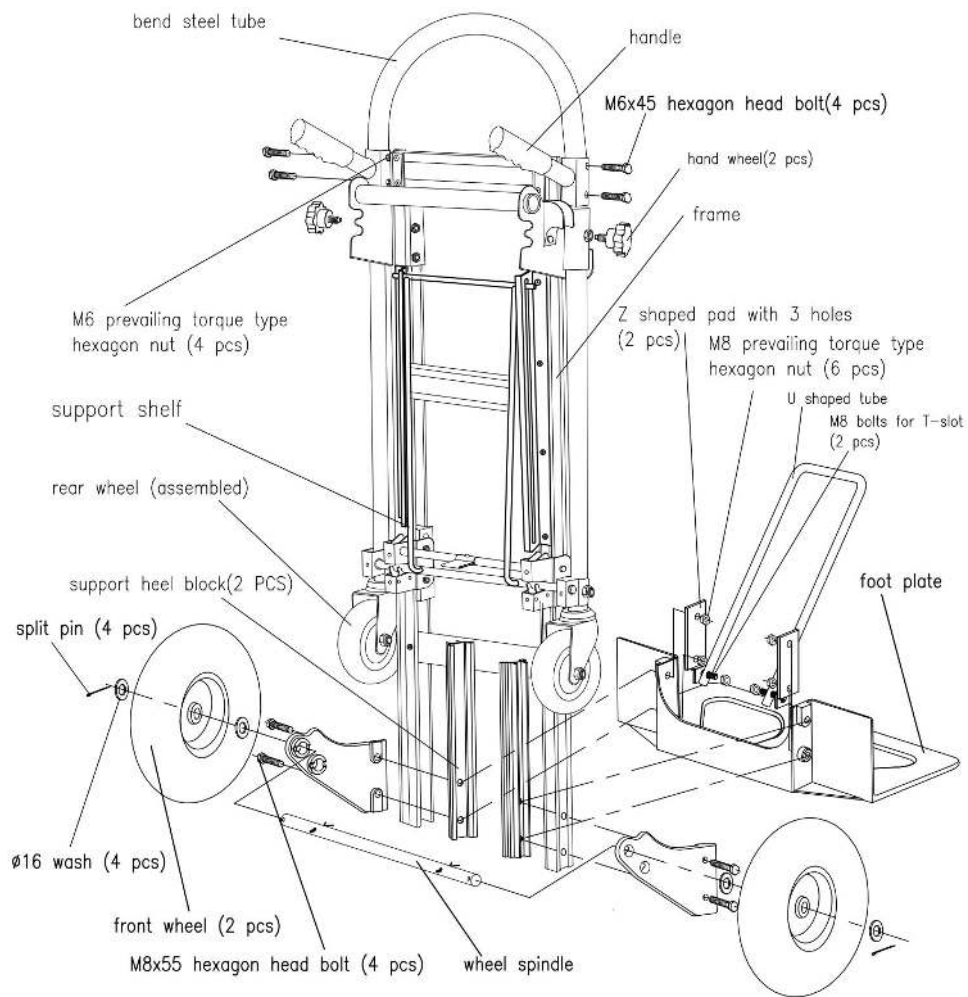
BEWAAR DEZE INSTRUCTIES

INSTALLATION NOTES

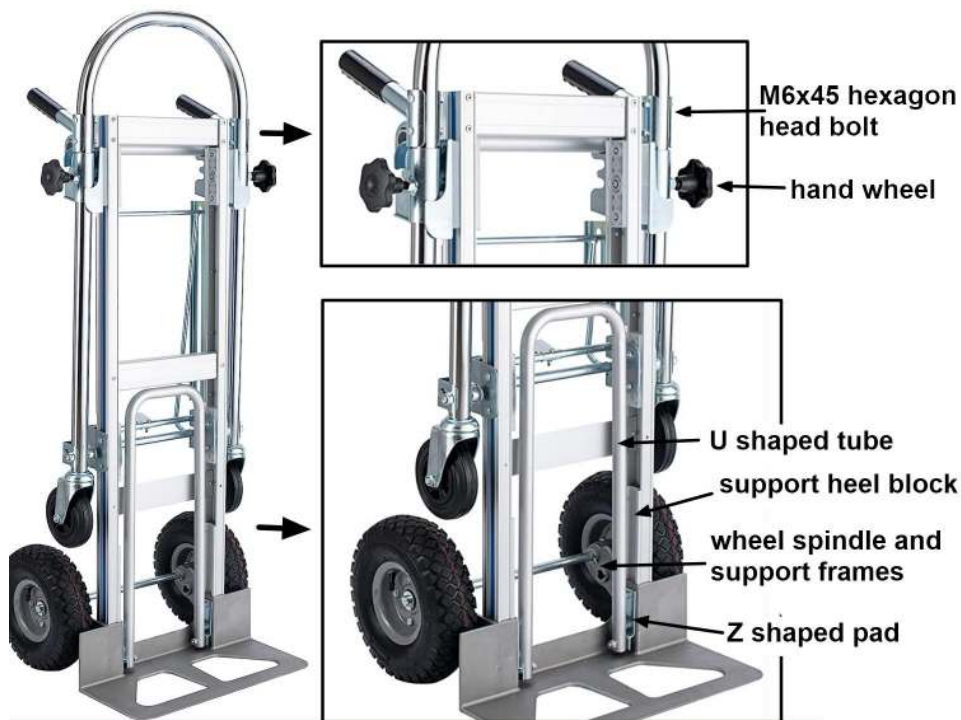
1. Bereid alle installatieonderdelen voor.



2. Monteer het product zoals hieronder weergegeven door het installatie-instructiediagram te combineren met het fysieke detailliediaagram.





instructie diagram



fysiek detaildiagram

PRODUCT PARAMETERS

Materiaal	Legering aluminium + Legering staal		
Hoe te gebruiken			
	manier 1	manier 2	manier 3
Laadvermogen	Bij normaal gebruik is het gewicht niet meer dan 250 kilo, bij extreem gebruik niet meer dan 450 kilo.	Bij normaal gebruik is het gewicht niet meer dan 220 pond, bij extreem gebruik is het gewicht niet meer dan 800 pond.	Er wordt niet meer dan 220 lbs aanbevolen.

MAINTENANCE

13. Vermijd langdurige blootstelling aan de zon om veroudering te voorkomen.

14. Controleer accessoires vóór gebruik op slijtage, scheuren en andere schade en vervang defecte accessoires onmiddellijk.

Fabrikant: Shanghaimuxinmuyeyouxiangongsi

Adres: Shuangchenglu 803nong11hao1602A-1609shi, baoshanqu, shanghai 200000 CN.

Geïmporteerd naar AUS: SIHAO PTY LTD, 1 ROKEVA STREETEASTWOOD NSW 2122 Australië

Geïmporteerd naar de VS: Sanven Technology Ltd., Suite 250, 9166 Anaheim Place, Rancho Cucamonga, CA 91730

EC	REP
-----------	------------

E-CrossStu GmbH
Mainzer Landstr.69, 60329 Frankfurt am Main.

UK	REP
-----------	------------

YH CONSULTING LIMITED.
C/O YH Consulting Limited Office 147, Centurion House,
London Road. Staines-upon-Thames. Surrey. TW18 4AX

VEVOR[®]

TOUGH TOOLS, HALF PRICE

Technisch Ondersteuning en E-garantiecertificaat

www.vevor.com/support

VEVOR[®]

TOUGH TOOLS, HALF PRICE

Teknisk Support och e-garanticertifikat

www.vevor.com/support

MODELL: 2143B

We continue to be committed to provide you tools with competitive price.

"Save Half", "Half Price" or any other similar expressions used by us only represents an estimate of savings you might benefit from buying certain tools with us compared to the major top brands and does not necessarily mean to cover all categories of tools offered by us. You are kindly reminded to verify carefully when you are placing an order with us if you are actually saving half in comparison with the top major brands.

VEVOR®

TOUGH TOOLS, HALF PRICE

MODELL: 2143B



NEED HELP? CONTACT US!

Have product questions? Need technical support? Please feel free to contact us:

Technical Support and E-Warranty Certificate
www.vevor.com/support

This is the original instruction, please read all manual instructions carefully before operating. VEVOR reserves a clear interpretation of our user manual. The appearance of the product shall be subject to the product you received. Please forgive us that we won't inform you again if there are any technology or software updates on our product.

SAFETY INSTRUCTIONS



WARNING: Läs och förstå denna manual innan montering, installation, drift eller service av denna produkt.

Underlåtenhet att följa dessa varningar och instruktioner kan orsaka dödsfall, personskada eller skada på värdefull egendom.

36. Placera den inte nära brandfarliga material.

37. Det är förbjudet att transportera människor under alla förhållanden.

38. Denna produkt kan inte användas för att gå upp eller ner för trappor.

39. Överbelastning är strängt förbjuden.

40. Rör dig inte för snabbt när du passerar gropar.

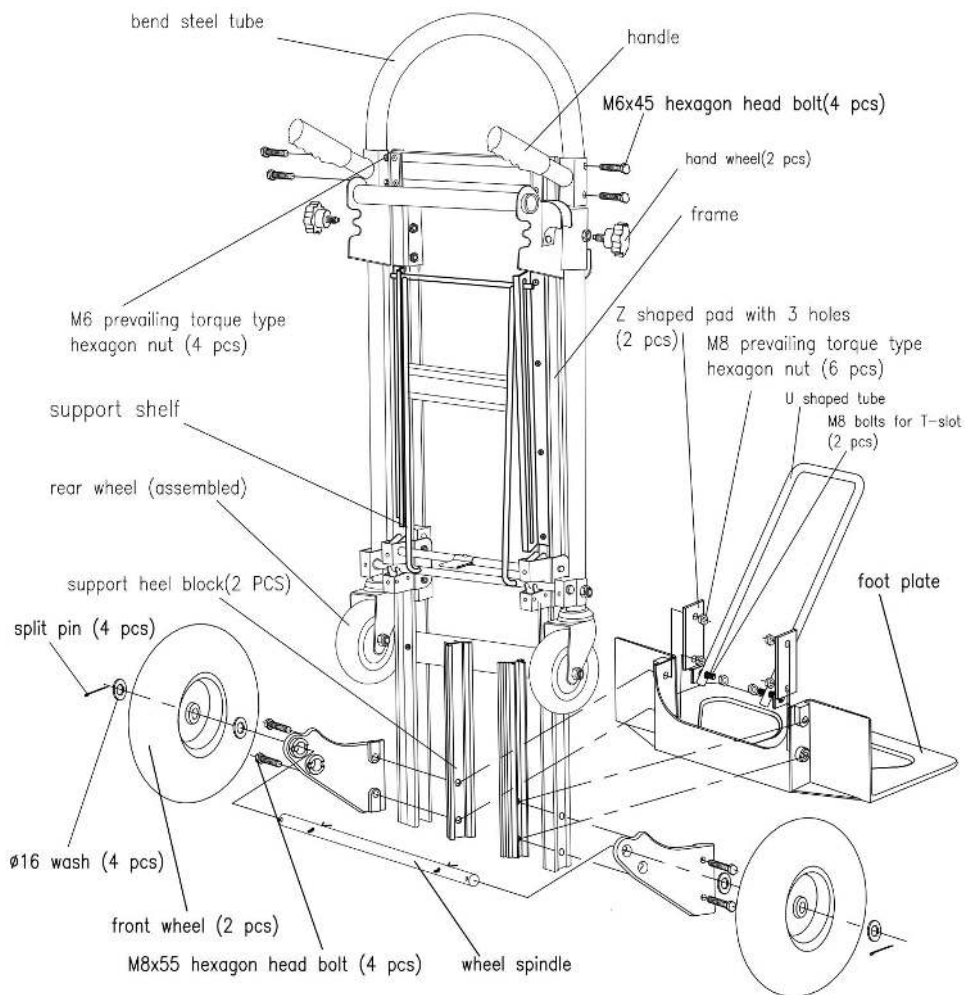
SPARA DESSA INSTRUKTIONER

INSTALLATION NOTES

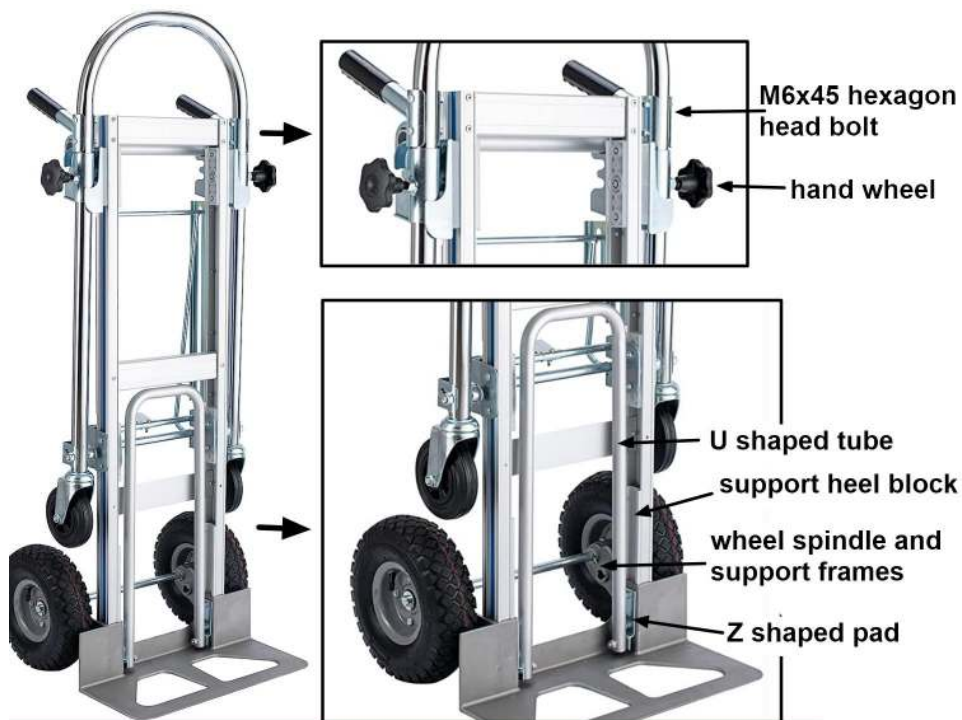
1. Förbered alla installationsdelar.



2.Som visas nedan, montera produkten genom att kombinera installationsinstruktionsdiagrammet och det fysiska detaljdiagrammet.



instruktionsdiagram



fysiskt detaljdiagram

PRODUCT PARAMETERS

Material	Legerat aluminium + legerat stål		
Hur man använder			
	sätt 1	sätt 2	sätt 3
Lastkapacitet	<p>Normal användning är inte mer än 550 pounds, och extrem användning är inte mer än 1000 pounds.</p>	<p>Normal användning är inte mer än 220 pounds, och extrem användning är inte mer än 800 pounds.</p>	<p>Inte mer än 220 lbs rekommenderas.</p>

MAINTENANCE

15. Undvik långvarig exponering för solen för att undvika åldrande.
16. Inspektera tillbehören för slitage, sprickor och andra skador före användning och byt ut defekta tillbehör omedelbart.

Tillverkare: Shanghaimuxinmuyeyouxiangongsi

Address: Shuangchenglu 803nong11hao1602A-1609shi, baoshanqu, shanghai 200000 CN.

Importerad till AUS: SIHAO PTY LTD, 1 ROKEVA STREETEASTWOOD NSW 2122 Australien

Importerad till USA: Sanven Technology Ltd., Suite 250, 9166 Anaheim Place, Rancho Cucamonga, CA 91730

EC	REP
-----------	------------

E-CrossStu GmbH
Mainzer Landstr.69, 60329 Frankfurt am Main.

UK	REP
-----------	------------

YH CONSULTING LIMITED.
C/O YH Consulting Limited Office 147, Centurion House,
London Road, Staines-upon-Thames, Surrey, TW18 4AX

VEVOR[®]

TOUGH TOOLS, HALF PRICE

Teknisk Support och e-garanticertifikat

www.vevor.com/support