

VEVOR[®]

TOUGH TOOLS, HALF PRICE

Technical Support and E-Warranty Certificate

www.vevor.com/support

STAIR CLIMBING CART

MODEL: 2024DB

We continue to be committed to provide you tools with competitive price. "Save Half", "Half Price" or any other similar expressions used by us only represents an estimate of savings you might benefit from buying certain tools with us compared to the major top brands and does not necessarily mean to cover all categories of tools offered by us. You are kindly reminded to verify carefully when you are placing an order with us if you are actually Saving Half in comparison with the top major brands.

VEVOR[®]

TOUGH TOOLS, HALF PRICE

STAIR CLIMBING CART

MODEL:2024DB



NEED HELP? CONTACT US!

Have product questions? Need technical support? Please feel free to contact us:

Technical Support and E-Warranty Certificate
www.vevor.com/support

This is the original instruction, please read all manual instructions carefully before operating. VEVOR reserves a clear interpretation of our user manual. The appearance of the product shall be subject to the product you received. Please forgive us that we won't inform you again if there are any technology or software updates on our product.

SAFETY INSTRUCTIONS

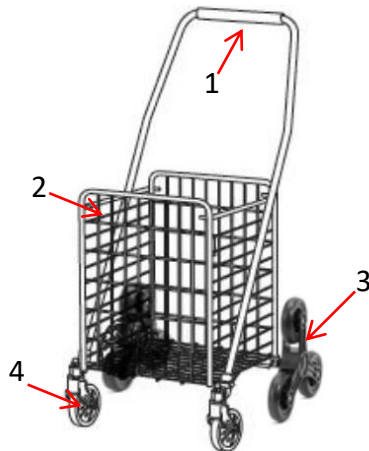
WARNING:

1. Please do not put it near flammable materials.
2. It is forbidden to carry people under any condition.
3. Please pay attention to safety when going up and down stairs.
4. Overload is strictly prohibited.
5. Don't move too fast when passing pothole areas.

MODEL AND PARAMETERS

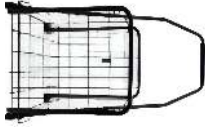
Model	2024DB
Maximum Load(Flat Ground)	88lbs
Maximum Load(Climb Stairs)	60lbs
Color	Silver
Material	Steel+EVA+PP

STRUCTURE DIAGRAM AND COMPONENTS



- 1.Handle 2.Hoop 3.Climbing Wheel 4.Universal Wheel

COMPONENTS



A: Cart Frame x1



B: Spring x2



C: Wrench x1



D: Axle x1



E: Front Wheel x2



F: Nuts x2



G: Washer x2



H: Small Washer x4



I: Rear Wheel x2



Elastic Binding Rope x1



User manual x1

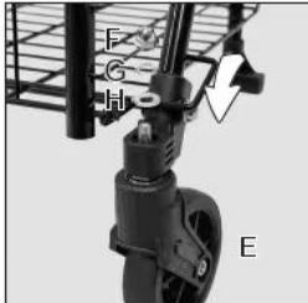
ASSEMBLY

Assemble the front wheels:

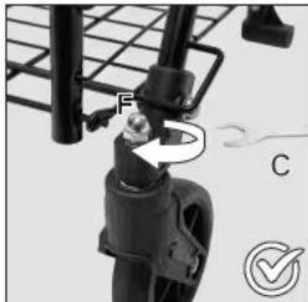
Step 1: Push the front wheel **E** into the front leg. When pushing in, please align the angle of the connecting part so that the hex head screw on the axis of front wheel **E** can be accurately pushed into the front leg.



Step 2: Put the small washer **H** and Washer **G** on the short shaft of the front wheel **E** in turn, and then put the screw **F** in.



Step 3: Finally, tighten the screw **F** with wrench **C**.

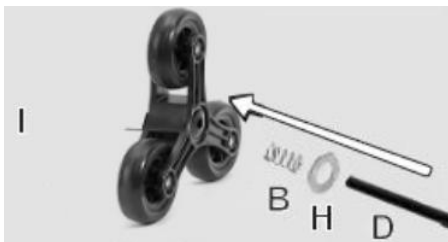


Assemble the rear wheels:

Step 1: Unfold shopping cart frame **A** to expose the back leg of cart. Slide long axle **D** through hole in each back leg.



Step 2: Place both sides of the back wheel into spring **B** and washer **H**. Insert parts **D** directly into the center of the wheel. Make sure it is fixed and cannot be pulled out. Completing the installation.



How to remove the wheel: Locate the black button in the center of the outside of the wheel and press it inward to separate the wheel from the iron pipe.



MAINTENANCE

1. Avoid prolonged exposure to the sun to avoid aging.
2. Please fold the cart when it is not used for a long time.
3. Avoid children taking the stair climbing cart to play.

Manufacturer: Shanghaimuxinmuyeyouxiangongsi

Address: Shuangchenglu 803nong11hao1602A-1609shi, baoshanqu, shanghai 200000 CN.

EC REP: E-CrossStu GmbH.

Mainzer Landstr.69, 60329 Frankfurt am Main.

UK REP: YH CONSULTING LIMITED.

C/O YH Consulting Limited Office 147, Centurion House, London Road, Staines-upon-Thames, Surrey, TW18 4AX

Imported to AUS: SIHAO PTY LTD.

1 ROKEVA STREETEASTWOOD NSW 2122 Australia

Imported to USA: Sanven Technology Ltd.

Suite 250, 9166 Anaheim Place, Rancho Cucamonga, CA 91730

VEVOR[®]
TOUGH TOOLS, HALF PRICE

Technical Support and E-Warranty Certificate
www.vevor.com/support