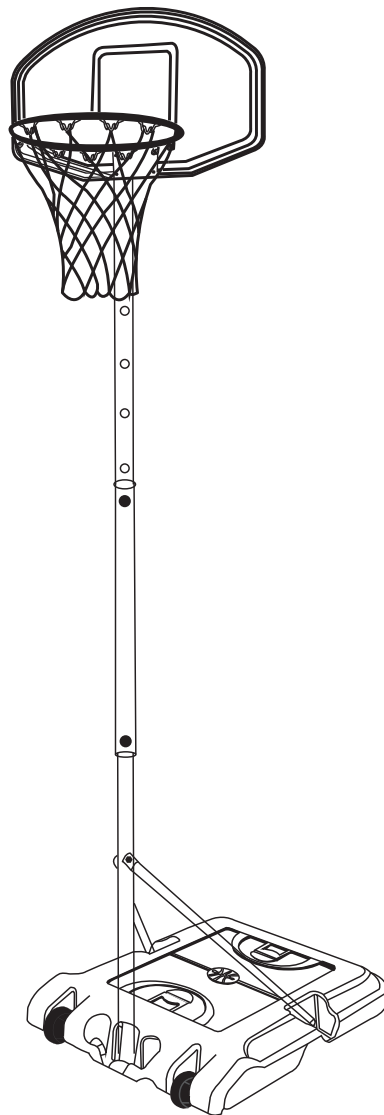




Adjustable Basketball Post 173 - 213 cm

User Manual



WARNING:

IMPROPER INSTALLATION
OR SWINGING ON THE RIM
MAY CAUSE SERIOUS INJURY
OR DEATH

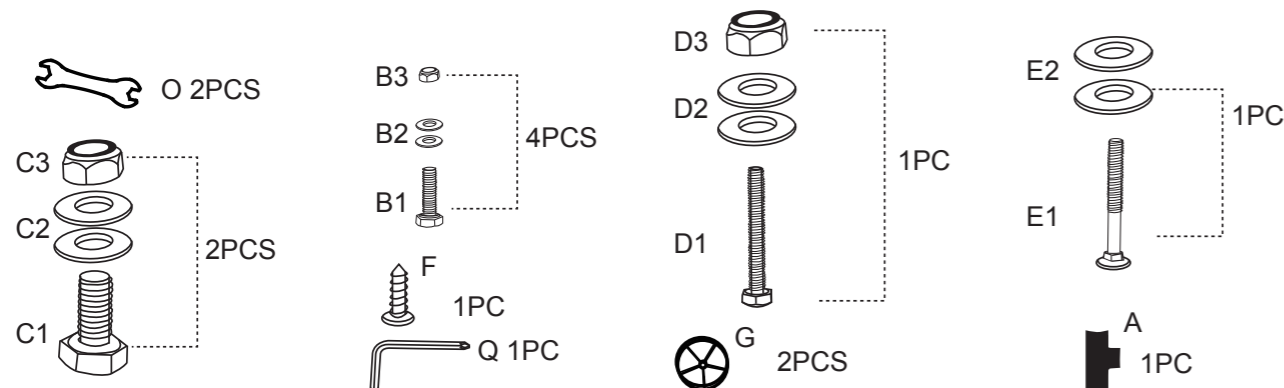
Notice to assemblers:

All the basketball systems, including those used for displays must be assembled and ballasted according to instructions. Failure to follow instructions could result in serious injury. Please read all warning and cautions before assembly. It is recommended to supervise children as they play with this product. This product is to be assembled by 2 adults only!

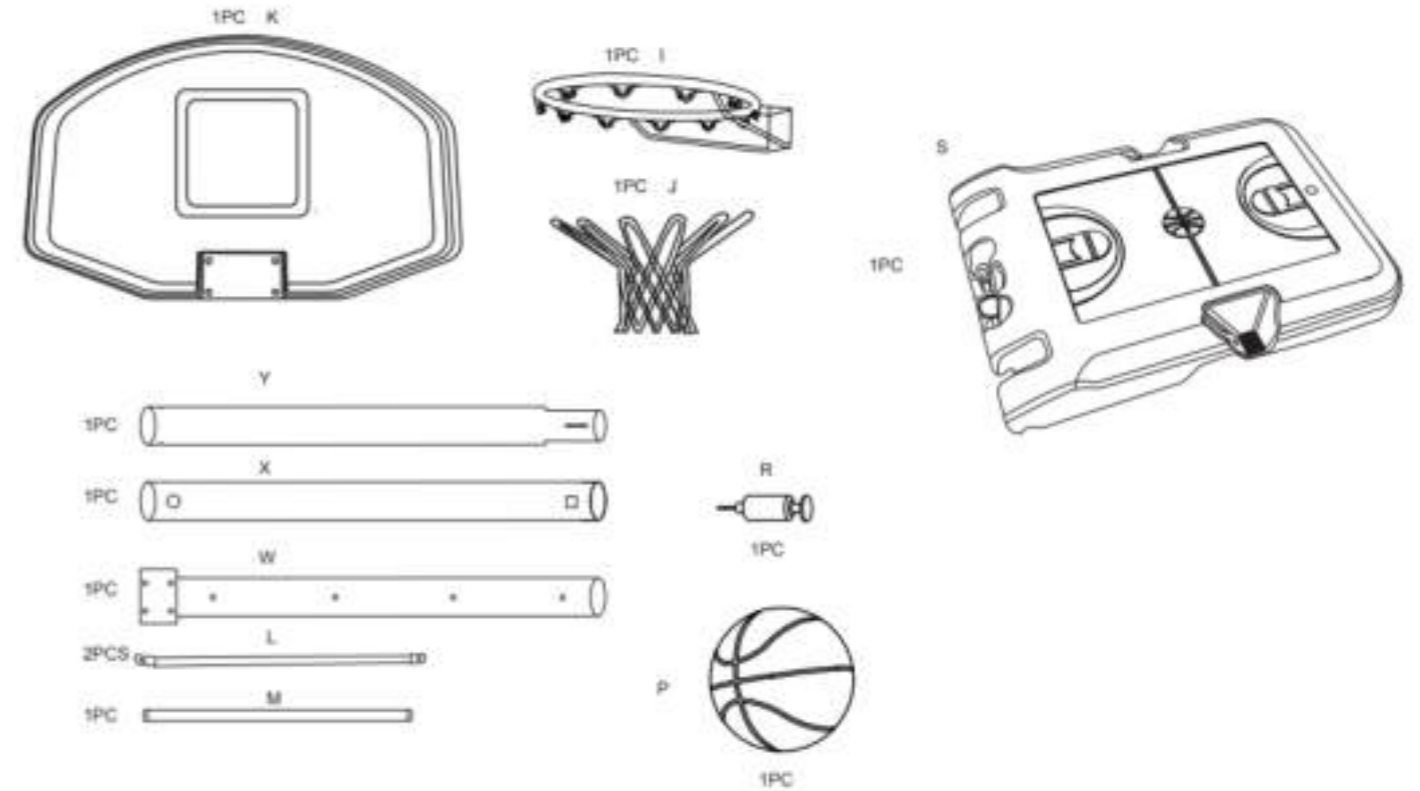
We appreciate your purchasing one of our many fine products. We are assured that you will be very satisfied with your selection.

PART LIST

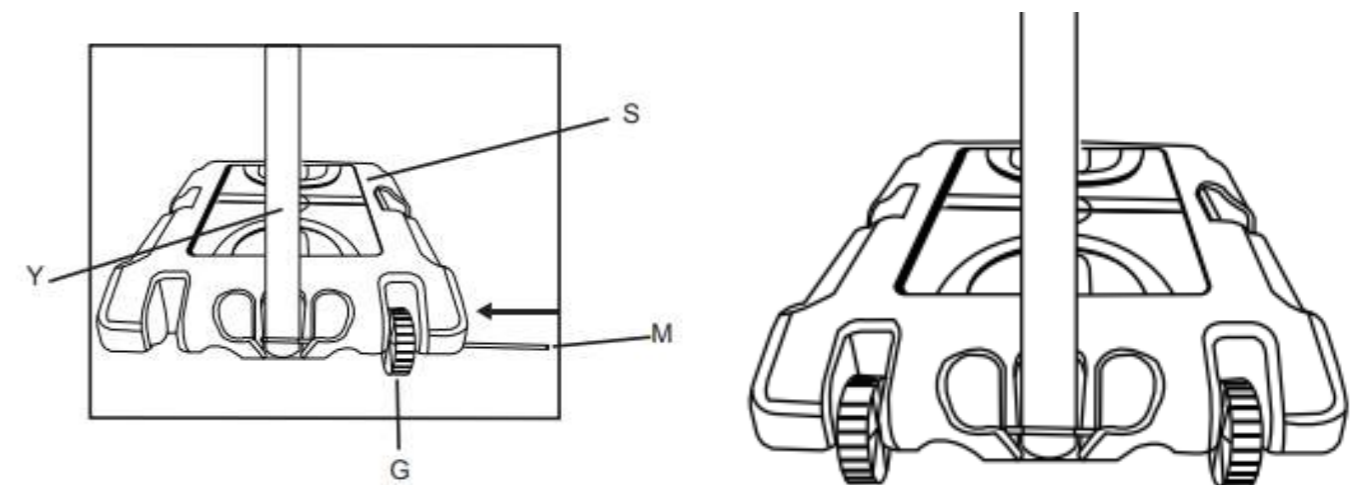
Part No:	Name&Specification	Oty	Remarks
A	Plastic head knob	1	Fix Top Pole(W)On Moddie Pole(X)
B1、 B2、 B3	Bolt,M6x20MM	4	Connect Rim(I),backboard(K)& Top Pole(W)
C1、 C2、 C3	Bolt,M8x17MM	2	Connect Base(S)&Brace Brace (L)
D1、 D2、 D3	Bolt,M8x65MM	1	Connect Bottom Pole(Y)& Base Brace (L)
E1、 E2	Carriage Bolt,M8x55MM	1	Connect Top pole (W) & Middle Pole (X)
F	Bolt	1	
G	Wheel	2	
H	Water Cap	1	
I	Rim	1	
J	Net	1	
K	Backboard	1	
L	Brace Brace	2	
M	Wheel Shaft	1	
N	Pole Cap	1	
O	Wrench	2	
Q	Cross Wrench	1	
S	Base	1	
W	Top Pole	1	
X	Middle Pole	1	
Y	Bottom Pole	1	



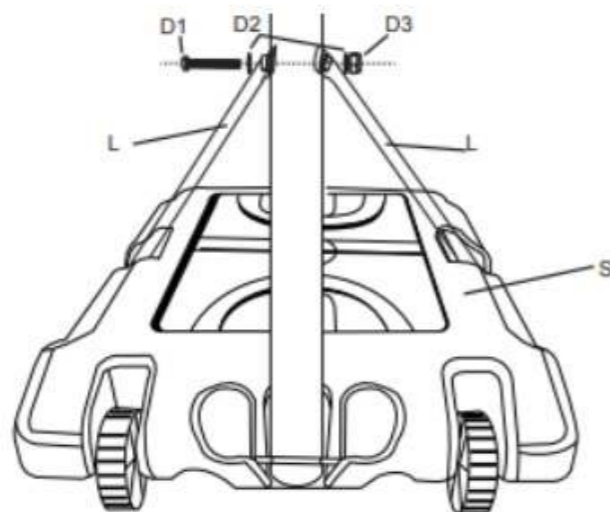
STEP 1



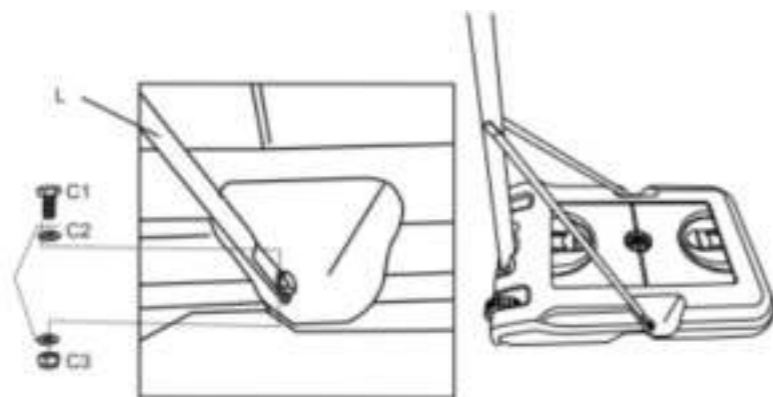
STEP 2



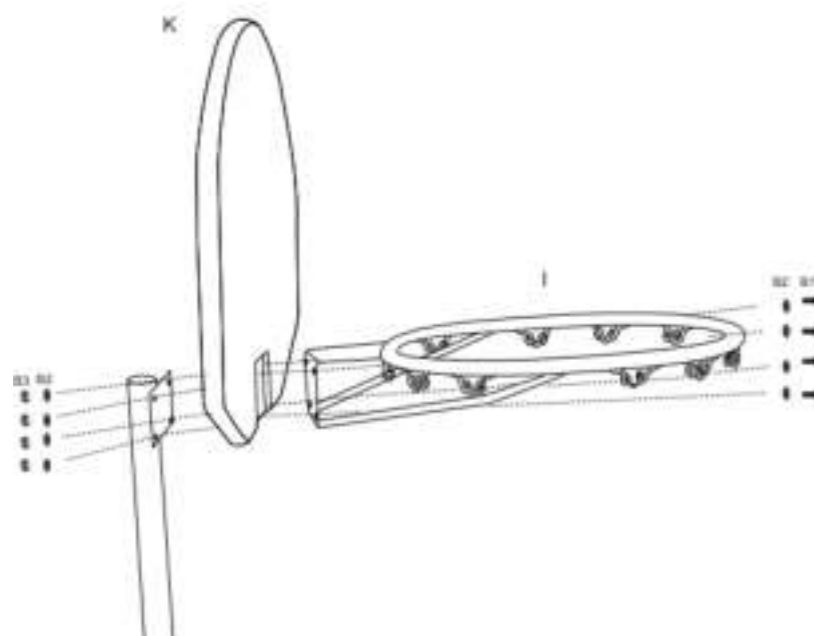
STEP 3



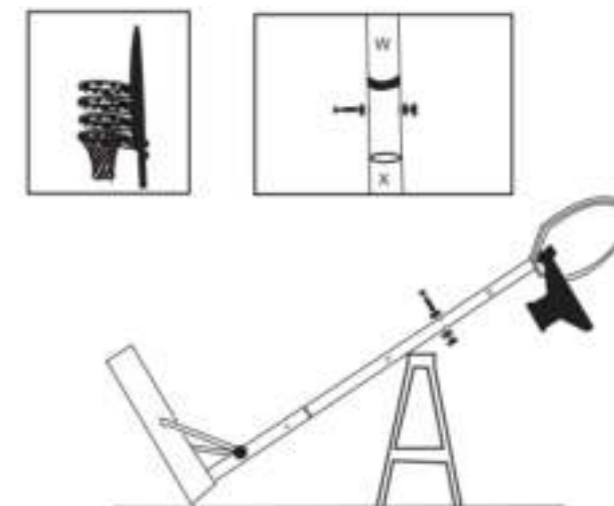
STEP 4



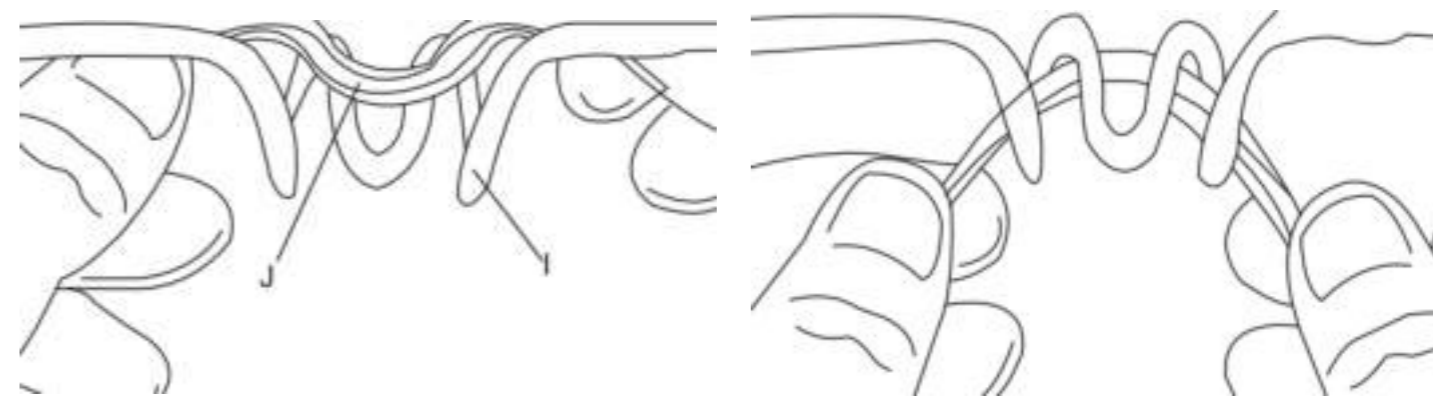
STEP 5



STEP 6



STEP 7



STEP 8

