

**VIVOSUN**

**10 Inch, 20V Max Cordless Chainsaw**

INSTRUCTION MANUAL

Designed by **VIVOSUN** in California.  
Made in China



Please read this handbook carefully before using the tool

 **WARNING** Read all safety warnings and all instructions and save all warnings and instructions for future reference.

## Intended Usage

The intended use of this product includes:


- service for cutting wood and similar material as chain saw, for cutting branch with chain saw

The product must not:

- be used for commercial applications
- be used with other accessories than stated by the manufacturer and in this manual
- be changed, modified or operated in a different way than stated by the manufacturer and in this manual

The adherence of these user instructions is the foundation for the safe assembly and operation. This product is exclusively intended for the domestic use acc. to the stated intended usage. All other applications are forbidden.

## Safety Warnings

 **WARNING** Read all safety warnings and all instructions. Failure to follow the warnings and instructions may result in electric shock, fire and/or serious injury.

Save all warnings and instructions for future reference.

The term "power tool" in the warnings refers to your mains-operated (corded) power tool or Battery-operated power tool.

### 1) Work area safety

- a) **Keep work area clean and well lit.** Cluttered or dark areas invite accidents.
- b) **Do not operate power tools in explosive atmospheres, such as in the presence of flammable liquids, gases or dust.** Power tools create sparks which may ignite the dust or fumes.
- c) **Keep children and bystanders away while operating a power tool.** Distractions can cause you to lose control.

### 2) Electrical safety

- a) **Power tool plugs must match the outlet. Never modify the plug in any way. Do not use any adapter plugs with earthed (grounded) power tools.** Unmodified plugs and matching outlets will reduce risk of electric shock.
- b) **Avoid body contact with earthed or grounded surfaces, such as pipes, radiators, ranges and refrigerators.** There is an increased risk of electric shock if your body is earthed or grounded.
- c) **Do not expose power tools to rain or wet conditions.** Water entering a power tool will increase the risk of electric shock.
- d) **Do not abuse the cord. Never use the cord for carrying, pulling or unplugging the power tool. Keep cord away from heat, oil, sharp edges or moving parts.** Damaged or entangled cords increase the risk of electric shock.

you turn out the lights.

- Move charger and battery pack to a surrounding air temperature of 50°F (10°C) to 104°F (40°C)
  - If the receptacle and temperature are OK, and you do not get proper charging contact (DESA Power Tools) service center.
5. The battery pack need to be charged before first using and should be recharged when it fails to produce sufficient power on jobs which were easily done previously. **DO NOT CONTINUE** using this product with its battery pack in a depleted condition. (NOTE: After several charge and discharge cycles, the battery will attain full capacity.)
  6. To prolong battery life, avoid leaving the battery pack on charger for extended periods of time (over 30 days without use). Although overcharging is not a safety concern, it can significantly reduce overall battery life.
  7. The battery pack will reach optimum performance after being cycled 5 times during normal usage. There is no need to run the batteries down completely before recharging. Normal usage is the best method of discharging and recharging the batteries.

## Operation

**WARNING: Before any work on the machine (e. g. maintenance, changing the tool, etc.) as well as during its transport and storage, lock the On/Off switch in the off position.** There is danger of injury when the On/Off switch is unintentionally actuated.

## Maintenance and Cleaning

### Maintenance, Cleaning and Storage

**1. Before any work on the machine (e. g. maintenance, changing the tool, etc.) as well as during its transport and storage, lock the On/Off switch in the off position.**

There is danger of injury when the On/Off switch is unintentionally actuated.

**2. Always remove the blade before any work on the machine.**

**3. For safe and proper working, always keep the machine and ventilation slots clean.**

Clean the saw blade holder preferably with compressed air or a soft brush. Remove the saw blade from the power tool for this. Ensure proper operation of the saw blade holder by applying a suitable lubricant.

Heavy contamination of the machine can lead to malfunctions. Therefore, do not saw materials that produce a lot of dust from below or overhead.

Store the power tool in a secure, dry place, out of the reach of children.

Do not place other objects on the power tool.

### Storage

- a) use of transport guard during transport and storage
- b) cleaning and maintenance before storage
- c) securing of the unit during transport to prevent loss of fuel, damage or injury.

3. Make sure the delivery contents are complete and free of any damage. If you find that parts are missing or show damage do not use the product but contact your dealer. Using an incomplete or damaged product represents a hazard to people and property.
4. Ensure that you have all the accessories and tools needed for assembly and operation. This also includes suitable personal protective equipment.



**WARNING!** The product and the packaging are not children's toys!  
Children must not play with plastic bags, sheets and small parts! There is a danger of choking and suffocation!

## Before use

### Charging battery

#### Before attempting to charge the battery pack, thoroughly read all Safety Instructions.

The battery needs to be charged before first use and whenever it fails to produce sufficient power on jobs that were easily done before.

The battery may become warm while charging; this is normal and does not indicate a problem.

**NOTE: After several charge and discharge cycles, the battery will attain full capacity.**



**DO NOT CHARGE THE BATTERY AT AMBIENT TEMPERATURES BELOW 10° C OR ABOVE 40° C (BELOW 50° F OR ABOVE 104° F) .**

◆ Plug the mains plug of the adaptor 1 into a socket outlet and the adaptor plug 2 into the socket 4 on the charger station 3. At this time, the battery charge-control indicator 6 lights up. And then insert the battery pack into the charger station. The battery charge-control indicator indicates the charging progress. The indicator lights up red during the charge procedure. The battery is completely charged when the indicator lights up green again.

Disconnect the battery charger from the mains supply when not using it for longer periods.

### Important charging notes

1. After normal usage, your battery pack should be fully charged in about 4 hours. Allow the battery to cool down before charging after using the saw. (NOTE: A hot battery placed in the charger will not charge)
2. DO NOT charge the battery pack in an air temperature below 50°F (10 °C) or above 104°F (40 °C). This is important and will prevent serious damage to the battery pack. Longest life and best performance can be obtained if battery pack is charged when air temperature is about 75°F (24°C).
3. While charging, the charger may hum and become warm to touch. This is a normal condition and does not indicate a problem.
4. If the battery pack does not charge properly
  - Check current at receptacle by plugging in a lamp or other appliance.
  - Check to see if receptacle is connected to a light switch which turns power off when

e) **When operating a power tool outdoors, use an extension cord suitable for outdoor use.**

Use of a cord suitable for outdoor use reduces the risk of electric shock.

f) **If operating a power tool in a damp location is unavoidable, use a residual current device (RCD) protected supply.** Use of an RCD reduces the risk of electric shock.

NOTE The term "residual current device (RCD)" may be replaced by the term "ground fault circuit interrupter (GFCI)" or "earth leakage circuit breaker (ELCB)".

#### 3) Personal safety

a) **Stay alert, watch what you are doing and use common sense when operating a power tool. Do not use a power tool while you are tired or under the influence of drugs, alcohol or medication.** A moment of inattention while operating power tools may result in serious personal injury.

b) **Use personal protective equipment. Always wear eye protection.** Protective equipment such as dust mask, non-skid safety shoes, hard hat, or hearing protection used for appropriate conditions will reduce personal injuries.

c) **Prevent unintentional starting. Ensure the switch is in the off-position before connecting to power source and/or battery pack, picking up or carrying the tool.** Carrying power tools with your finger on the switch or energising power tools that have the switch on invites accidents.

d) **Remove any adjusting key or wrench before turning the power tool on.** A wrench or a key left attached to a rotating part of the power tool may result in personal injury.

e) **Do not overreach. Keep proper footing and balance at all times.** This enables better control of the power tool in unexpected situations.

f) **Dress properly. Do not wear loose clothing or jewellery. Keep your hair, clothing and gloves away from moving parts.** Loose clothes, jewellery or long hair can be caught in moving parts.

g) **If devices are provided for the connection of dust extraction and collection facilities, ensure these are connected and properly used.** Use of dust collection can reduce dust-related hazards.

#### 4) Power tool use and care

a) **Do not force the power tool. Use the correct power tool for your application.** The correct power tool will do the job better and safer at the rate for which it was designed.

b) **Do not use the power tool if the switch does not turn it on and off.** Any power tool that cannot be controlled with the switch is dangerous and must be repaired.

c) **Disconnect the plug from the power source and/or the battery pack from the power tool before making any adjustments, changing accessories, or storing power tools.** Such preventive safety measures reduce the risk of starting the power tool accidentally.

d) **Store idle power tools out of the reach of children and do not allow persons unfamiliar with the power tool or these instructions to operate the power tool.**

Power tools are dangerous in the hands of untrained users.

e) **Maintain power tools. Check for misalignment or binding of moving parts, breakage of parts and any other condition that may affect the power tool's operation. If damaged, have the power tool repaired before use.** Many accidents are caused by poorly maintained power tools.

f) **Keep cutting tools sharp and clean.** Properly maintained cutting tools with sharp cutting edges are less likely to bind and are easier to control.

g) Use the power tool, accessories and tool bits etc. in accordance with these instructions, taking into account the working conditions and the work to be performed. Use of the power tool for operations different from those intended could result in a hazardous situation.

#### 5) Battery tool use and care

- a) **Recharge only with the charger specified by the manufacturer.** A charger that is suitable for one type of battery pack may create a risk of fire when used with another battery pack.
- b) **Use power tools only with specifically designated battery packs.** Use of any other battery packs may create a risk of injury and fire.
- c) **When battery pack is not in use, keep it away from other metal objects, like paper clips, coins, keys, nails, screws or other small metal objects, that can make a connection from one terminal to another.** Shorting the battery terminals together may cause burns or a fire.
- d) **Under abusive conditions, liquid may be ejected from the battery; avoid contact. If contact accidentally occurs, flush with water. If liquid contacts eyes, additionally seek medical help.** Liquid ejected from the battery may cause irritation or burns.

#### 6) Service

- a) **Have your power tool serviced by a qualified repair person using only identical replacement parts.** This will ensure that the safety of the power tool is maintained.

#### Safety Warnings for Sabre Saws

- a) **Hold power tool by insulated gripping surfaces, when performing an operation where the cutting accessory may contact hidden wiring.** Cutting accessory contacting a “live” wire may make exposed metal parts of the power tool “live” and could give the operator an electric shock.
- b) **Do not use the tool with the hook without rubber covers or with damaged rubber covers. If the rubber covers on the hook are damaged, replace the hook by a new one.**
- c) **Keep hands away from the sawing range. Do not reach under the workpiece.** Contact with the saw blade can lead to injuries.
- d) **Apply the machine to the workpiece only when switched on.** Otherwise there is danger of kickback when the cutting tool jams in the workpiece.
- e) **When sawing without the hook, the guideplate must always face against the workpiece.** The saw blade can become wedged and lead to loss of control over the power tool.
- f) **When the cut is completed, switch off the machine and then pull the saw blade out of the cut only after it has come to a standstill.** In this manner you can avoid kickback and can place down the machine securely.
- g) **Use only undamaged saw blades that are in perfect condition.** Bent or dull saw blades can break, negatively influence the cut, or lead to kickback.
- h) **Do not brake the saw blade to a stop by applying side pressure after switching off.** The saw blade can be damaged, break or cause kickback.
- i) **Clamp material well. Do not support the workpiece with your hand or foot. Do not touch objects or the floor with the the saw running.** Danger of kickback.
- j) **Use appropriate detectors to determine if utility lines are hidden in the work area or call the local utility company for assistance.** Contact with electric lines can lead to fire and electric shock. Damaging a gas line can lead to explosion. Penetrating a water line causes property damage.
- k) **Secure the workpiece.** A workpiece clamped with clamping devices or in a vice is held more

## MOUNTING AND OPERATION

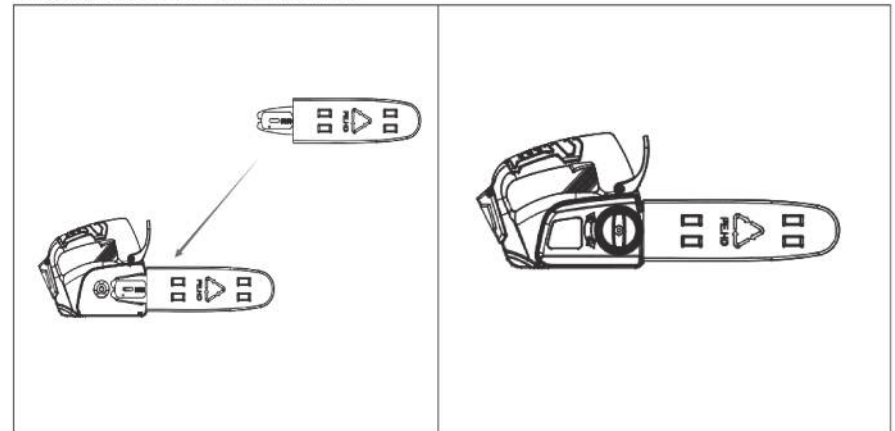


Fig.1

Fig.2

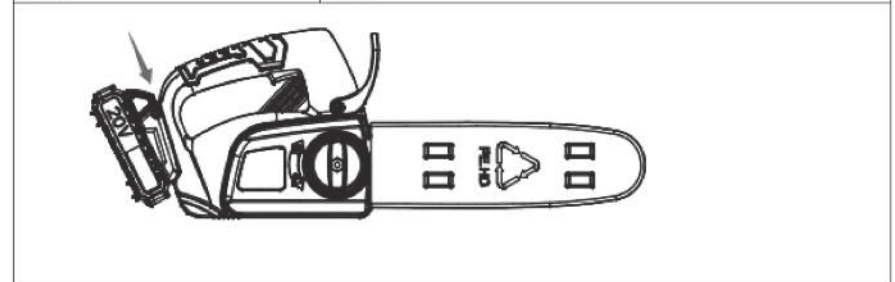


Fig.3

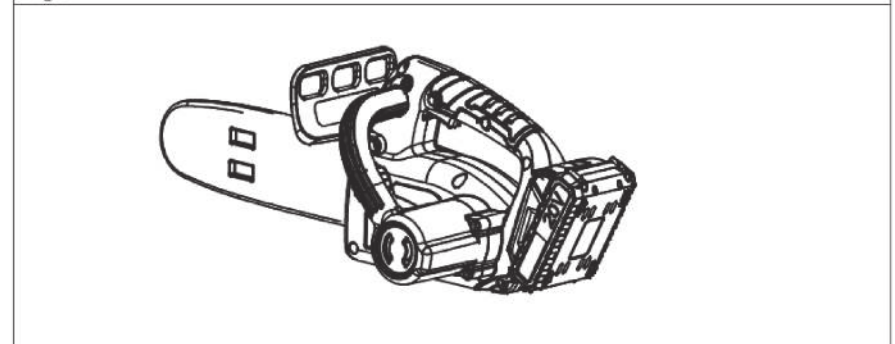
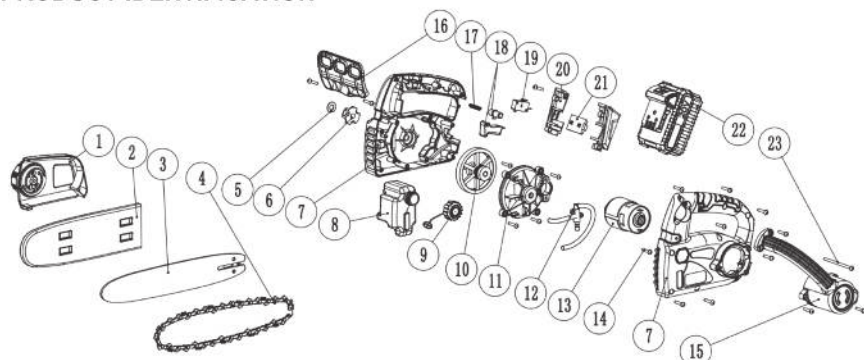


Fig.4

## Unpacking

1. Unpack all parts and lay them on a flat, stable surface.
2. Remove all packing materials and shipping devices, if applicable.

## PRODUCT IDENTIFICATION



1. guide plate cover assembly
2. sheath
3. board
4. link
5. washer
6. 6 teeth sprocket
7. housing
8. oil tank
9. oil cap
10. gear assembly
11. gear box
12. oil pump assembly
13. motor assembly
14. ST4\*16 screw
15. handle
16. safe cover
17. spring
18. button
19. switch
20. connection
21. insert
22. battery
23. ST4\*65 screw

secure than by hand.

l) **Always wait until the machine has come to a complete stop before placing it down.** The tool insert can jam and lead to loss of control over the power tool.

m) **Before any work on the machine (e. g. maintenance, changing the tool, etc.) as well as during its transport and storage, lock the On/Off switch in the off position.** There is danger of injury when the On/Off switch is unintentionally actuated. **Protect the power tool against heat, e. g., against continuous intense sunlight, fire, water, and moisture.** Danger of explosion.

### chain saw safety warnings:

- 1) Observe your surroundings, always remove the fallen branches before cutting, always keep the working area clean before operation.
- 2) Always keep the bystanders at least 15 m away from the working area, especially for children.
- 3) Always wear a helmet, ear protection and safety gloves when working with the chain saw. Also wear eye protection to keep oil spray and sawdust out of your eyes. Wear dust mask to protect against dust.
- 4) Do not wear loose clothing, jewelry, or short pants while operating.
- 5) Never use the chain saw while standing on a ladder.
- 6) Do not overreach. Always keep a firm footing and balance during operation; always use the provided harness to distribute the load evenly on your body.
- 7) Wear sturdy boots to protect yourself from slipping.
- 8) Avoid using the chain saw close to power lines. Keep a safe distance of at least 10 m to over ground power lines.
- 9) Do not stand under the branch you are cutting. Branches may fall without warning. Also beware of the risk of being struck by those that rebound after hitting the ground. Work at an angle of no more than 60°.
- 10) Keep in mind that, when using the upper point of the saw, the chain saw may kick back quite violently.
- 11) Keep your eyes not only on the branches you are cutting, also keep an eye on the ground to prevent tripping over from branches that already have fallen.
- 12) Keep a period of rest for at least 30 minutes after one hour's operation, otherwise you are get too tired to control the chain saw.
- 13) Do not use the machine if the switch does not turn it on and off. Any machine that cannot be controlled with the switch is dangerous and must be repaired.
- 14) Store idle machine out of the reach of children and do not allow persons unfamiliar with the machine or these instructions to operate the machine. Machines are dangerous in the hands of untrained users.
- 15) Maintain machine. Check for misalignment or binding of moving parts, breakage of parts and any other condition that may affect the machine's operation. If damaged, have the machine repaired before use. Many accidents are caused by poorly maintained machine.
- 16) Have your machine serviced by a qualified repair person using only original replacement parts. This will ensure that the safety of the machine is maintained.
- 17) Children should be supervised to ensure that they do not play with the appliance.

### Battery/Battery charger safety warnings

- **Protect the battery charger from rain and moisture.** The penetration of water in a battery charger increases the risk of electric shock.
- **Recharge only with the charger specified by the manufacturer.** A charger that is suitable for one type of battery pack may create a risk of fire when used with another battery pack.
- **Do not charge other batteries.** The battery charger is suitable only for charging lithium ion batteries within the listed voltage range. Otherwise there is danger, fire and explosion.
- **Keep the battery charger clean.** Contamination may cause the danger of electric shock.
- **Check the battery charger, cable and plug each time before using. Do not use the battery charger when defects are detected. Do not open the battery charger yourself and have it repaired only by qualified personnel using original spare parts.** Damaged battery chargers, cables and plugs increase the risk of electric shock.
- **Do not operate the battery charger on easily inflammable surfaces (e. g. paper, textiles, etc.) or in combustible environments.** There is danger of fire due to the heating of the battery charger during charging.
- **Under abusive conditions, liquid may be ejected from the battery; avoid contact. If contact accidentally occurs, flush with water. If liquid contacts eyes, additionally seek medical help.** Liquid ejected from the battery may cause irritation or burns.
- **Do not open the battery yourself.** There is danger of a short circuit.
- **Protect the battery against heat, e.g., including against continuous sun irradiation and fire.** There is a danger of explosion.
- **Do not short-circuit the battery.** There is a danger of explosion.
- **In case of damage and improper use of the battery, vapours may be emitted.** In case of complaints, provide for fresh air and consult a physician. The vapours can irritate the respiratory system.

### TECNICAL SPECIFICATIONS

Voltage	20V DC
No load speed	4m/s
Cutting length	230mm
Wood	80mm
Charger input	100-240V~50/60Hz
Charger output	20V 0.5A
Battery capacity	2.0Ah Li-ion
Machine weight	3.5kg



#### **Wear hearing protection while operating the power tool.**

The declared vibration total value has been measured in accordance with a standard test method and may be used for comparing one tool with another.

The declared vibration total value may also be used in a preliminary assessment of exposure.

#### **Warning**

The vibration emission during actual use of the power tool can differ from the declared total value depending on the ways in which the tool is used.

There is the need to identify safety measures to protect the operator that are based on an estimation of exposure in the actual conditions of use (taking account of all parts of the operating cycle such as the times when the tool is switched off and when it is running idle in addition to the trigger time).

### Symbol explanations

	Wear hearing protection. Wear eye protection.		Caution / Warning!
	Carry a dust shield mask. When working on wood and other materials can dust injurious to health.		Sharp blade can cut limbs.
	Do not use the power tool in the rain or leave it outdoors when it is raining.		Wear gloves for cutting protection.
	Only use the battery charger indoors.		Caution: Very danger because of electronic shock! Keep it away at least 10m from Transmission lines.
	"WARNING – To reduce the risk of injury, user must read instruction manual"		Wear safety shoes for preventing slipping.
	WEEE symbol. Electrical products should not be disposed with household waste.		
	This product meets the applicable European directives.		