



Thank you for choosing VIVOSUN

# Grow Tent

108" x 48" x 80"



Chat Support



Product Inquiry



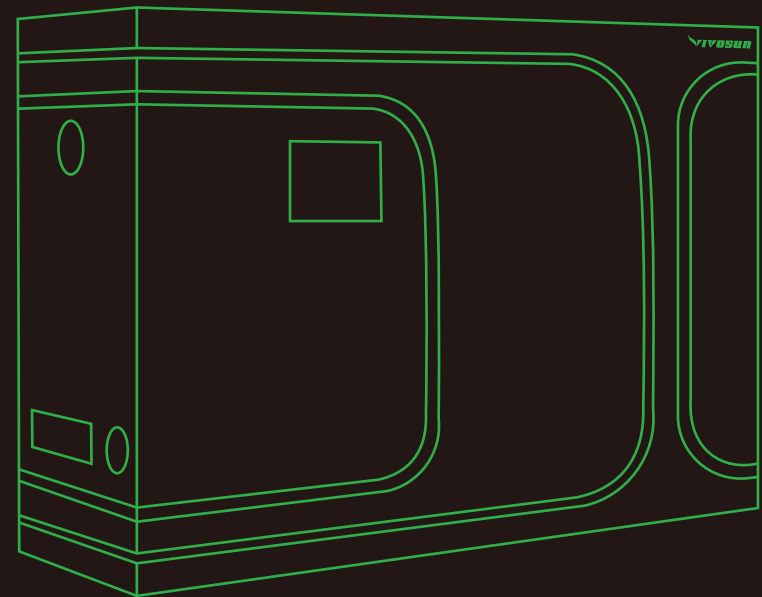
Order FAQ



Product Assembly



Returns & Refunds



Assembly Instructions

DESIGNED BY



IN CALIFORNIA

MADE IN PRC

© VIVOSUN 2021

© VIVOSUN 2021

Love  
what  
you  
grow™

Welcome to  **VIVOSUN**

Thank you for choosing VIVOSUN. We are committed to product quality and friendly customer service. If you have any question or suggestion, please don't hesitate to contact us.

## CONTENTS

Key Features .....	1
Product Contents .....	2
Instructions .....	3
Ventilation Guide .....	10
Complete Your Setup / Other VIVOSUN Products .....	11
Warranty .....	13
Specifications .....	14
Grow Tent Collection .....	15

# KEY FEATURES

## 1. High-Density Canvas

The exterior is Mylar Canvas with 100% light-proof 600D density rating while the interior is lined with light amplifying diamond-patterned reflective material.

## 2. Viewing Window

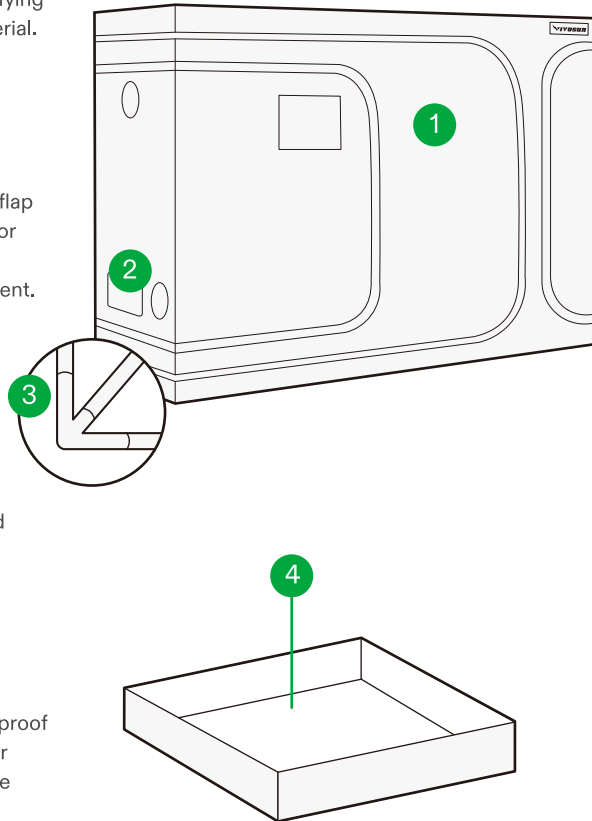
A transparent window covered by flap offers you a clear view of the interior without needing to open and compromise your plants' environment.

## 3. Heavy-duty Frame

Thick 19mm steel tubes and connectors provide the tent with a sturdy structure. Can hold fans and lights up to 165 pounds.


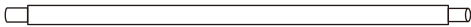





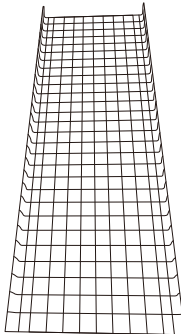
## 4. Floor Tray

The floor tray with reflective waterproof lining catches water, soil, and other debris to prevent leakage inside the grow tent.



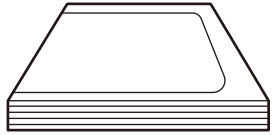
# PRODUCT CONTENTS

## Frame Supports

- A**  25 pcs.
- B**  4 pcs.
- C**  4 pcs.
- D**  6 pcs.
- E**  4 pcs.
- F**  2 pcs.
- G**  2 pcs.
- H**  1 pc.

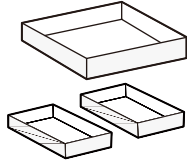
# PRODUCT CONTENTS

1



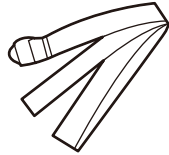
Tent, 1 pc.

2



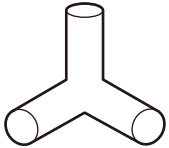
Floor Trays, 3 pcs.

3



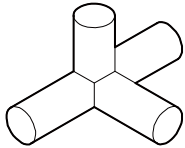
Filter Straps, 6 pcs.

4



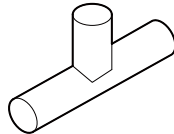
Corner Supports, 8 pcs.

5



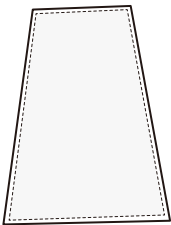
Corner Supports, 10 pcs.

6



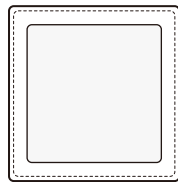
Corner Supports, 2 pcs.

7



Tent Divider Cloths, 2 pcs.

8



Shading Sticker, 1 pc.

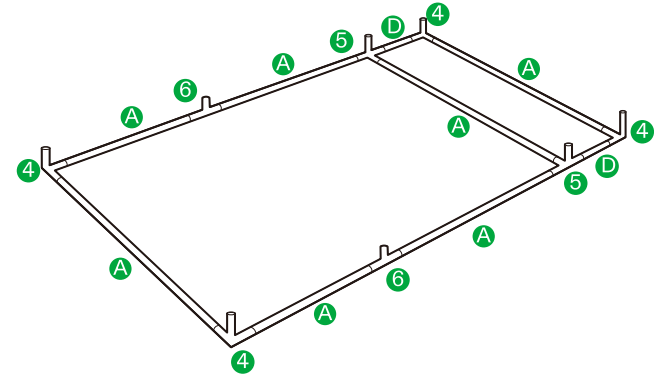
9



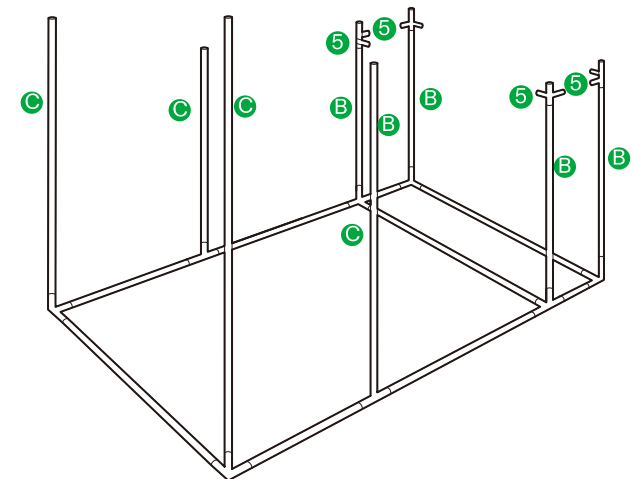
Shading Stickers, 5 pcs.

# TENT SETUP

**STEP 1** Connect the A-Poles (7 pcs.) and the D-Poles (2 pcs.) to the 4-Corner Supports (4 pcs.), the 5-Corner Supports (2 pcs.), and the 6-Corner Supports (2 pcs.), as shown in the picture.

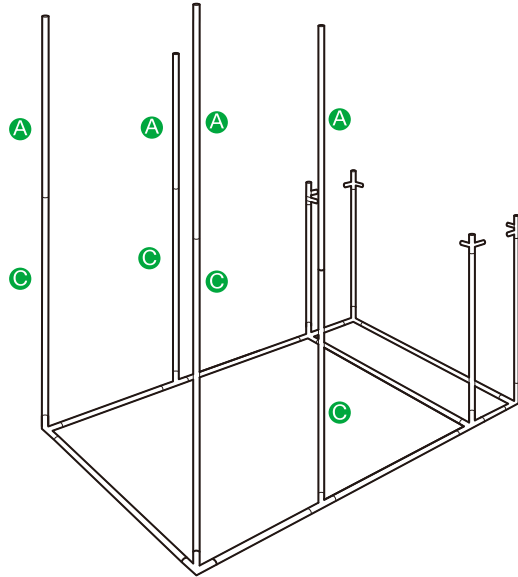


**STEP 2** Install the B-Poles (4 pcs.) and the C-Poles (4 pcs.), and affix the 5-Corner Supports (4 pcs.) to the tops of the B-Poles as shown in the picture.

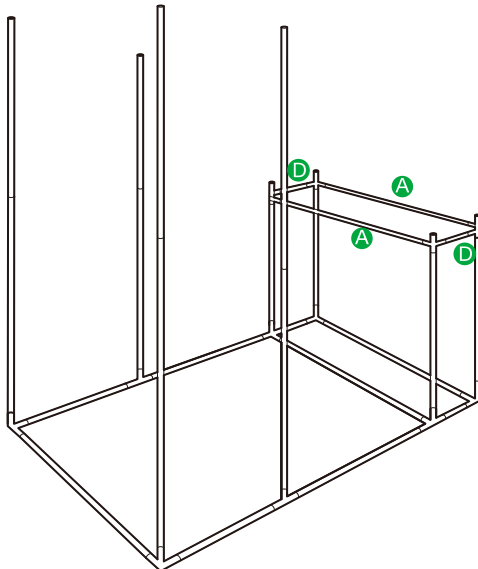


# TENT SETUP

STEP 3 Connect the A-Poles (4 pcs.) to the C-Poles (4 pcs.), as shown in the picture.

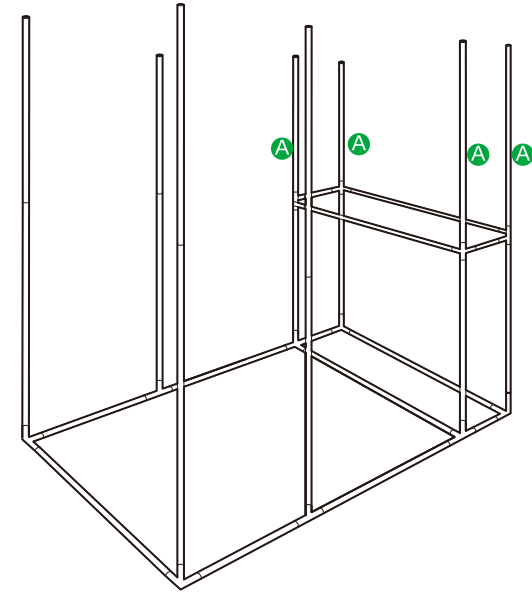


STEP 4 Install the A-Poles (2 pcs.) and the D-Poles (2 pcs.) in the positions indicated in the picture.

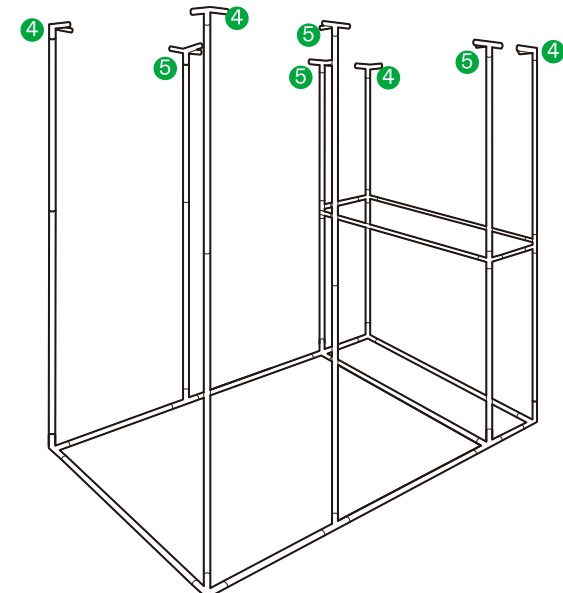


# TENT SETUP

STEP 5 Install the A-Poles (4 pcs.) in the positions shown in the picture.

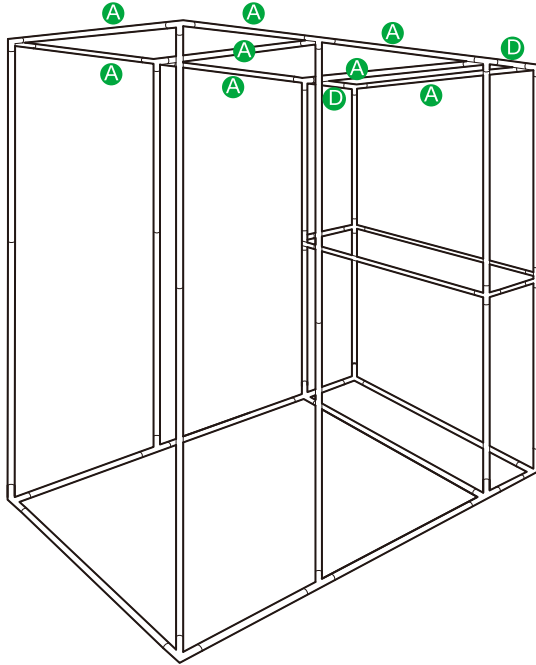


STEP 6 Install the 4-Corner Supports (4 pcs.) and the 5-Corner Supports (4 pcs.) in the positions shown in the picture.

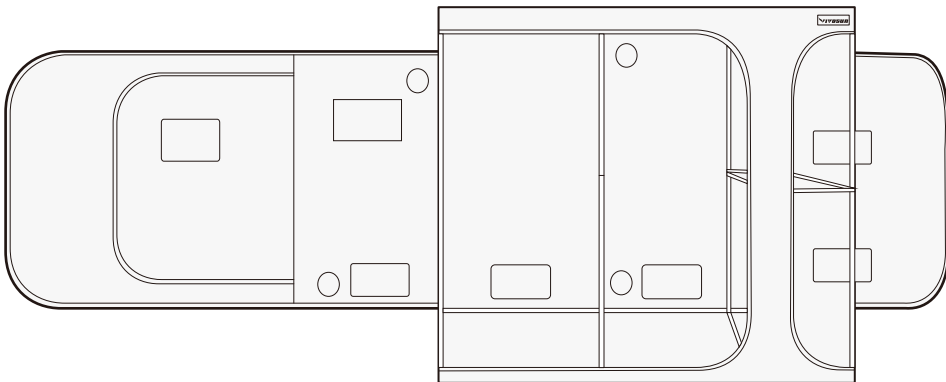


## TENT SETUP

**STEP 7** It is important that you complete the following instructions in order. First, install the A-Poles (8 pcs.) as shown. Second, install the D-Poles (2 pcs.) as shown.

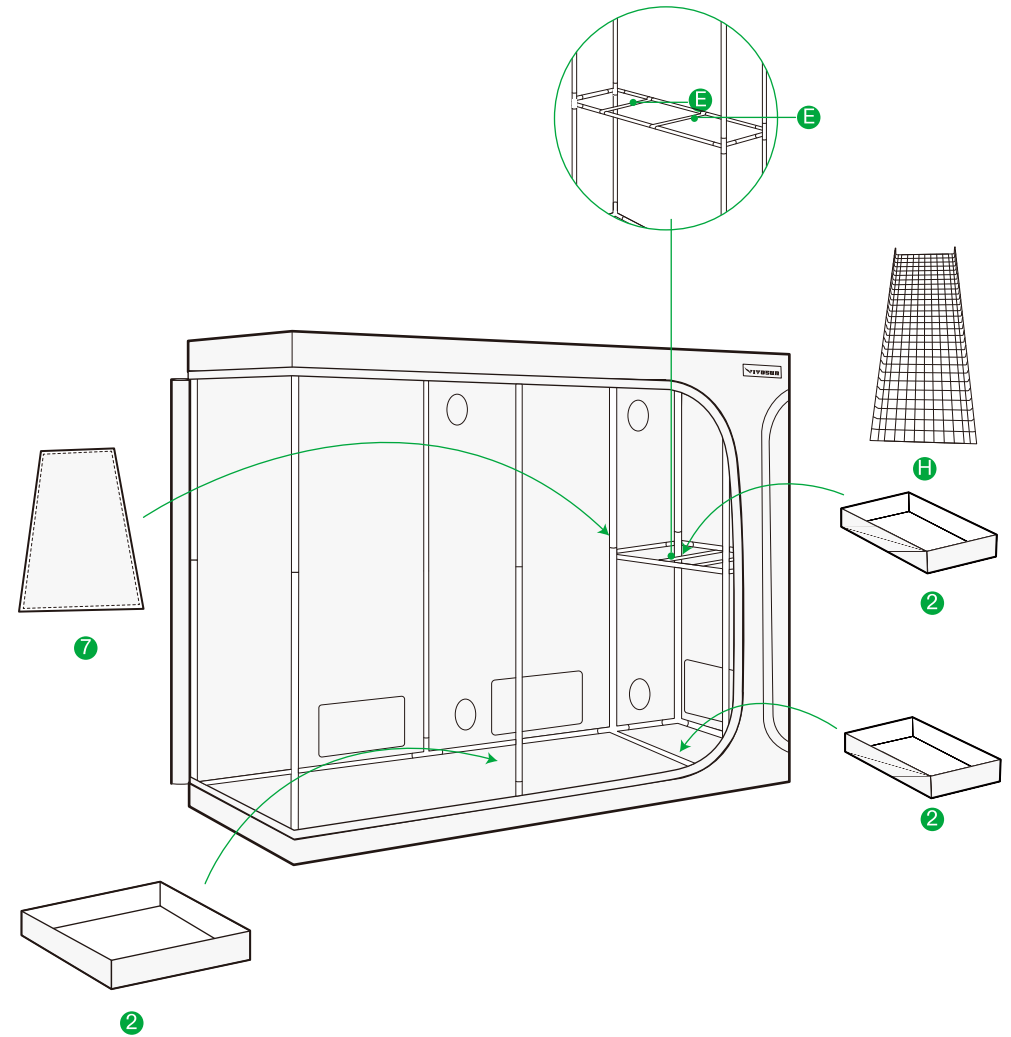


**STEP 8** Fix the installed frame to the bottom of the tent, and then fix the top to the frame.



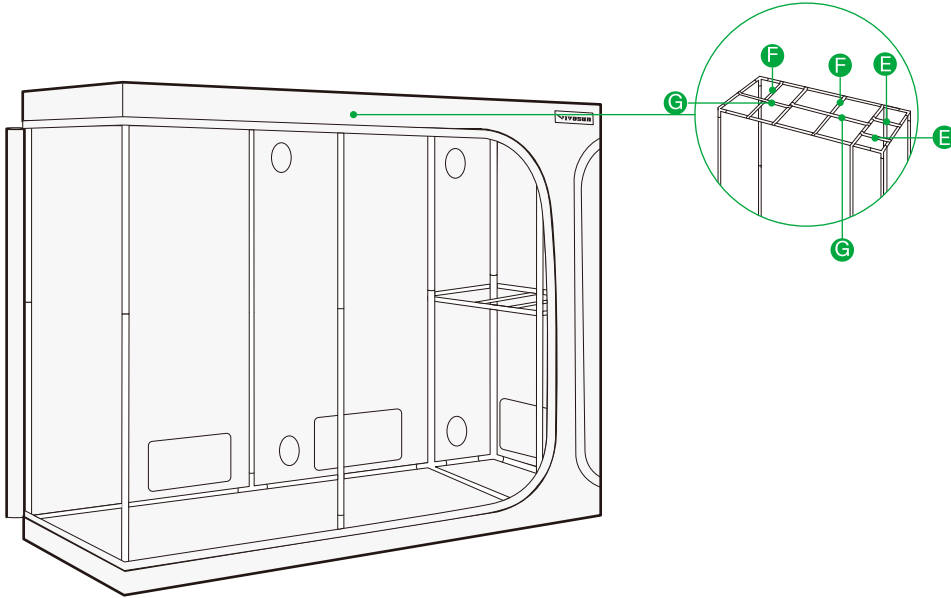
## TENT SETUP

**STEP 9** Install the E-Poles (2 pcs.), the H-Shelf (1 pc.), the 2-Trays (3 pcs.) and the 7-Tent Divider Cloth (1 pc.) in their appropriate positions as shown.

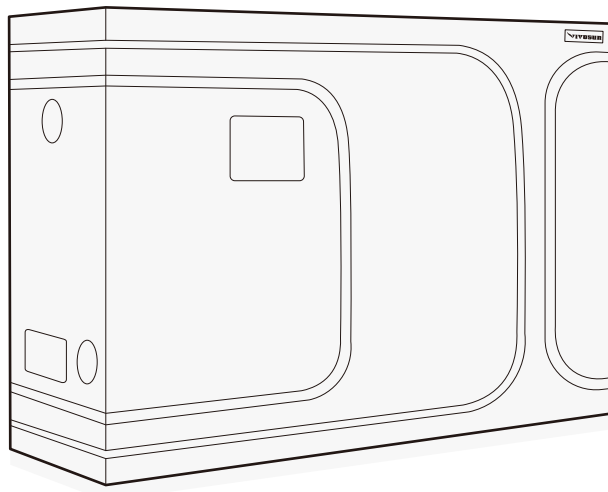


## TENT SETUP

**STEP 10** Place the E-Poles (2 pcs.), F-Poles (2 pcs.) and G-Poles (2 pcs.) at the top of the frame.



**STEP 11** Close the door and zip up the tent.



## VENTILATION GUIDE

### Inline Fan & Grow Light

First hang your inline duct fan by the roof support beams. Position the fan on the opposite end of your intake hole to optimize airflow. If you are installing a carbon filter inside, use the included straps to hang the carbon filter.

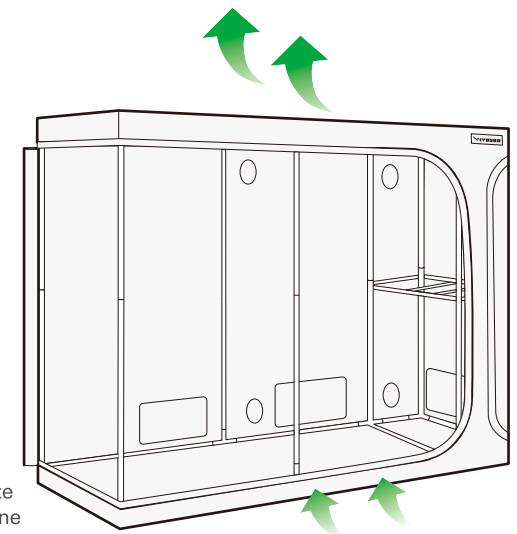
Then install your grow light. You may use rope clip hangers to install these products.

### Double-sided Cinches

Install any necessary duct tubes onto the ducting ports. Use the cinches on either end to secure the duct tubes onto the grow tent.

### Intake Holes

Introduce fresh air by using one of the two ventilation holes at the bottom of the grow tent. Open a passive intake screen or create active intake by attaching an additional inline fan to a duct port.



## COMPLETE YOUR SETUP



### Inline Fan with Control Panel & Plate

The VIVOSUN Inline Duct Fan helps with ventilation for horticultural, industrial, or household use. Its durable plastic fan housing and blades deliver powerful airflow while operating at extremely low noise levels.

The control panel with humidity/temperature setting is a perk as a result of upgradation.



### Carbon Filter

The VIVOSUN Carbon Filter is an essential part of any ventilation system. It uses Australian virgin activated charcoal, with each carbon molecule magnetically charged to attract passing particles. It helps eliminate undesirable odors, pungent smells and particulate matter from indoor grow tents, hydroponics grow rooms and other enclosed spaces.



### Ducting Tubes

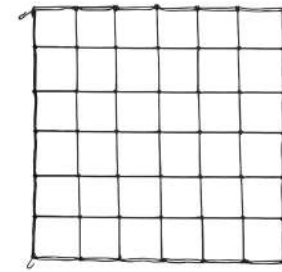
With flame-retardant coating, the VIVOSUN Three-Layered Aluminum Air Ducting Tube can endure extreme temperatures. It is sturdy and flexible, making it the perfect choice for ducting attached to exhaust fan blowers or inline fans. It can easily be used in multiple settings including HVAC, green houses, grow rooms, grow tents, and anywhere else you might need high-quality ducting.

## COMPLETE YOUR SETUP



### LED Light

The LED light is a very powerful tool for plant growers who manipulate photoperiodic responses to help the plant to grow better. The VS series has plenty to like, such as the advanced lamp beads from Samsung, dimmable ballast, full-spectrum lighting, etc. The well-selected Samsung LM301H Diodes and Sosen ballast offer outstanding performance for long-term illumination. In addition, multiple dimmable lights are supported to meet the different needs in different growth stages.



### Elastic Trellis Netting

Why it's good for growers to choose the trellis netting? It's made of a braided polyester string that is very pliable, soft and strong. It works well to support plants in their natural form or train them to maximize yields. Trellis your garden and crops for big gains: higher yields, faster harvest, and improved quality.



### Grow Bags

There are many advantages for you to use fabric grow bags to enjoy the fun of gardening! Sturdy nylon handles make it easy to move to the sunniest spot, or to a protected location on chilly nights. It's made from patented fabric that air-prunes roots for stronger, healthier plants. The fabric also aerates the soil, prevents heat build-up, and allows excess water to drain away. Grow bags fold for storage and are reusable year after year.

# WARRANTY

## Warranty

The VIVOSUN warranty program is our commitment to you. That the product sold by VIVOSUN will be free from defects in manufacturing for a period of two years from the date of purchase. If a product is found to have a defect in material or workmanship within one years of the date of purchase, we will take the appropriate actions as defined in this warranty to resolve any issues.

This warranty program applies to any order, purchase, receipt, or use of any products sold by VIVOSUN or our authorized dealerships. The program covers products that have become defective, malfunctioned, or has otherwise become unusable. The warranty program goes into effect on the date of purchase and expires two years from the date of purchase. If your product becomes defective during that period VIVOSUN will replace your product with a new one or issue a full refund. This warranty program does not cover defects arising from abuse or misuse.

This includes physical damage, submersion of the product in water, incorrect installation such as use with the wrong voltage, or misuse for any reason other than the product's intended purpose. VIVOSUN is not responsible for consequential loss or incidental damage of any nature caused by the product.

We will not warrant damage from normal wear such as scratches and dings.



If you run into any issues with this product, contact us and we'll happily issue a replacement or a full refund!

# SPECIFICATIONS

Dimensions	108" x 48" x 80"	Weight	57.3 lbs
Warranty	1 Year	Package Size	49.2" x 13.0" x 7.9"
Suggested Plant Count	12-16 plants in 3 gallon pots	Suggested Lighting	2x4bar/2xVS4000/1x6bar
Recommended Ventilation	8" Inline Fan	Doors	(2) Large Front Doors
Vents	(5) 11.8" x 6.3" Pre-Filter Air Vents	Windows	(2) Large Front Windows
Ducting Ports	(4) 4" Ducting Ports / (6) 8" Ducting Ports	Interior Material	Mylar 100% Reflective
Exterior Material	Oxford Fabric	Includes	(3) Floor Trays (6) Filter Straps (2) Tent Divider Cloths (1) Shading Sticker (5) Shading Stickers

# GROW TENT COLLECTION

VIVOSUN is an expert in professional indoor gardening and hydroponic equipment. We are committed to being your best, most trusted partner and provider of the professional-grade grow tents and equipment.



**Waterproof**  
Removable floor tray



**High Quality**  
600D Canvas



**Highly Reflective**  
100% Reflective Mylar



**Quick Assembly**  
Easy to set up

# GROW TENT COLLECTION



## Space Gray Grow Tent

- 36" x 36" x 72"
- 48" x 24" x 60"
- 48" x 48" x 72"
- 60" x 60" x 80"
- 96" x 48" x 80"

## The Classic Grow Tent

- |                 |                   |
|-----------------|-------------------|
| 30" x 18" x 36" | 48" x 48" x 80"   |
| 24" x 24" x 36" | 60" x 32" x 80"   |
| 24" x 24" x 48" | 60" x 60" x 80"   |
| 32" x 32" x 63" | 96" x 48" x 80"   |
| 36" x 20" x 63" | 96" x 96" x 80"   |
| 36" x 36" x 72" | 120" x 60" x 80"  |
| 48" x 24" x 60" | 120" x 120" x 80" |



# GROW TENT COLLECTION

## 2-in-1 Grow Tent

- 36" x 24" x 53"
- 48" x 36" x 72"
- 60" x 48" x 80"
- 108" x 48" x 80"



## Roof Grow Tent

- 48" x 48" x 72"
- 60" x 60" x 72"
- 96" x 48" x 72"

# GROW TENT COLLECTION

## Complete Kit Grow Tent

- 24" x 24" x 48" VS1000    48" x 24" x 60" VS2000
- 32" x 32" x 64" VS1000    48" x 48" x 80" VS1000
- 36" x 36" x 72" VS2000    48" x 48" x 80" VS4000
- 48" x 24" x 60" VS1000    2-in-1 48" x 36" x 72" VS1000

