

VIVOSUN

10L/23 PINT DEHUMIDIFIER EQUIPPED WITH SMART WIFI APP

INSTRUCTION MANUAL



Chat Support



Product Inquiry



Orders FAQ



Product Assembly



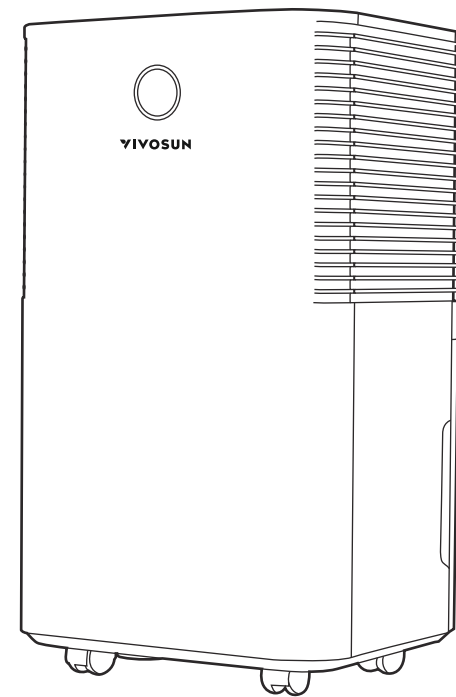
Notes

DESIGNED BY **VIVOSUN** IN CALIFORNIA
Made in P.R.C

VIVOSUN

10L/23 PINT DEHUMIDIFIER EQUIPPED WITH SMART WIFI APP

ASSEMBLY INSTRUCTIONS



1. BEFORE YOU BEGIN

Please read the operating instructions carefully before using your dehumidifier for the first time.

1. Install the unit on a flat, hard floor to diminish vibration or noise.
2. Never immerse the unit in water or other liquids.
3. Never operate the unit if the cable or other connector is damaged; please call customer service for help if you encounter such damage.
4. Disconnect the unit from the power supply when it is not in use, or before relocating or cleaning it.
5. Operate the unit only at the voltage specified.
6. The unit is for indoor use only. Do not use it for purposes other than its intended use.
7. Do not place heavy objects on top of this appliance.
8. Do not tip the unit to any side as spilled water could damage the appliance.
9. To avoid any hazard or unit failure, never insert any other object into the unit body.
10. Do not put the unit close to heat-generating devices or near flammable and dangerous materials.
11. This appliance is not intended for use by persons (including children) with reduced physical sensation or lack of experience and knowledge, unless they have been given supervision or instruction concerning use of the appliance by a person responsible for their safety. Children should be supervised to ensure that they do not play with the appliance in any irresponsible manner.
12. To avoid any potential hazard, if the power cord is damaged, it must be replaced by the manufacturer or one of its service agents, or a similarly qualified person.
13. The appliance must be positioned so that the plug is accessible.
14. The appliance shall be installed in accordance with national wiring regulations.
15. The acceptable ambient temperature range for proper use of the appliance is 5-35°C.



Do not try to repair, dismantle or modify this appliance in any way, or unintended damage may result. Changing this appliance's power cord should only be done by a specially qualified person.

9.2 WIFI Connected

● Method 1

Connecting via Bluetooth

Open the Bluetooth settings on your mobile phone or other device.

When the WIFI indicator flashes, open the “Smart Life” APP and the unit will automatically connect via Bluetooth.

● Method 2

When the WIFI indicator flashes, select “Add Device” - “Small Home Appliances” - “Dehumidifier,” and follow the instructions on the display.

Check the status of the WIFI indicator and choose the correct status.

If the WIFI indicator flashes rapidly, it can connected directly.

If the WIFI indicator flashes slowly, press “Go to Connect” to connect the WIFI named “SmartLife-XXXX”.

Remarks:

Once the appliance has been successfully connected, the WIFI lamp lights up. Now you can operate the appliance using the app.

Press and hold the timer button for about 5 seconds; the appliance will disconnect and the WIFI lamp light will turn off.

8.2 Disposal

WARNING!!!

Releasing refrigerant into the atmosphere is strictly forbidden!
Do not dispose of electrical appliances as unsorted municipal waste; use separate, appropriately specified collection facilities. Contact your local government for information regarding the collection systems available. If electrical appliances are disposed of in landfills or dumps, hazardous substances can leak into the groundwater and get into the food chain, damaging your health and the well-being of your world.



9. INFORMATION ON THE APP “SMART LIFE”

The “Smart Life” app is available for Android and iOS.
Scan the corresponding QR code for direct download.



Download Smart Life App

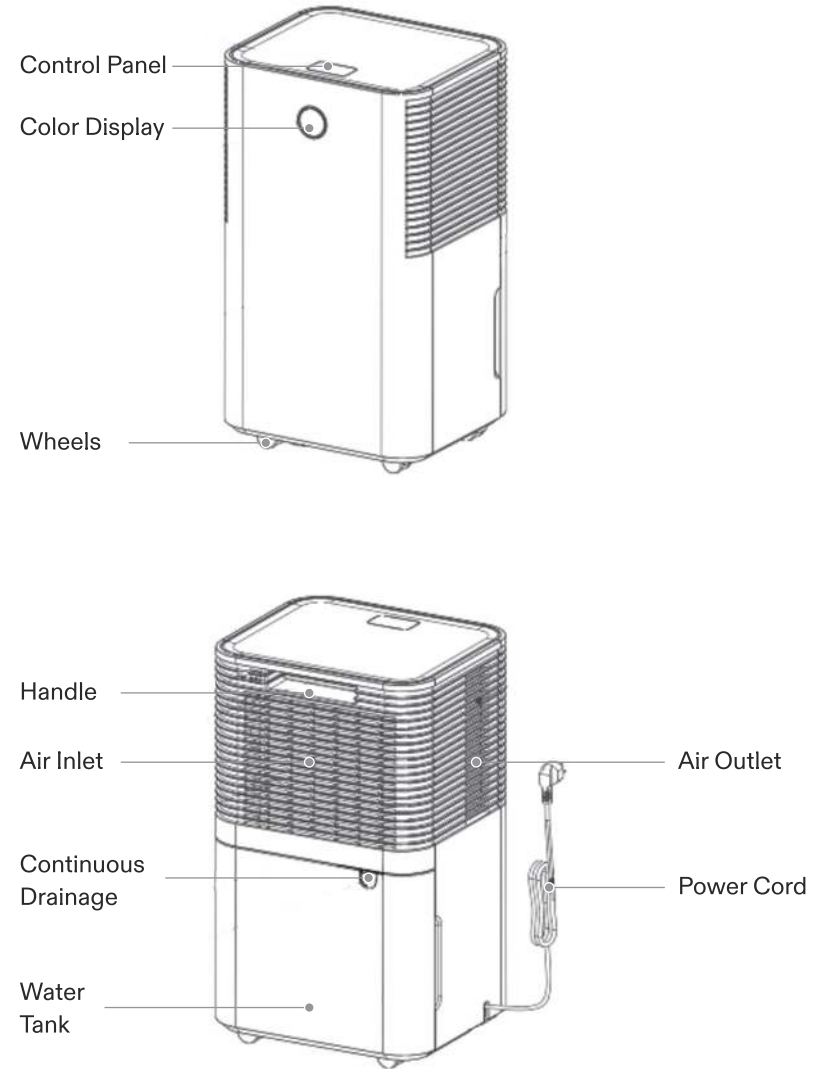


9.1 Information on How to Use the App

This appliance allows you to operate it via your home network. A prerequisite is a permanent WIFI connection to your router and the free app “Smart Life”.

1. Install the “Smart Life” app. Create a user account.
2. Activate the WIFI function in the settings of your appliance.
3. Place the appliance at a distance of about 5 meters from your router.
4. As long as the power is turned on, the WIFI indicator will flash. After 3 minutes, the status will be canceled if there is no network configuration, and the indicator light will turn off. If you need to reconnect to the WIFI, long press the “timer” button for 3-5 seconds to restart network configuration and the WIFI indicator will flash again.

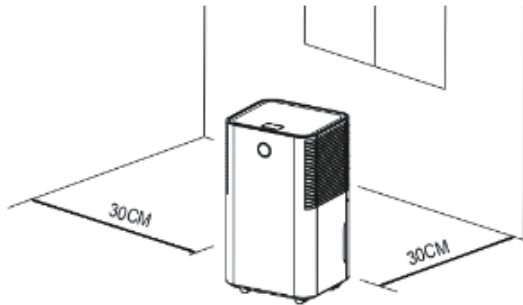
2. PRODUCT OVERVIEW



3. INSTALLATION

3.1 LOCATION

- Place the unit on a firm, level surface in an area with at least 30cm of free space around it to allow for proper air circulation.
- Never install the unit in a location where it may be exposed to:
 - Heat sources such as radiators, heat registers, stoves or other products that generate heat.
 - Splashes of oil or water.
 - Direct sunlight.
 - Mechanical vibration or shock.
 - Excessive dust.
 - Poor ventilation, such as in a cabinet or bookcase.
 - Uneven, unstable surfaces.



WARNING

Install the unit in rooms which exceed 4 m².
Do not install the unit in a place where inflammable gas may leak.

Problem	Possible Cause	Solution
E2	Humidity sensor problem	Change a sensor
LO	Environmental humidity is below 20%	The dehumidifier shuts down to protect itself
HI	Environmental humidity is above 90%	
CL	Low temperature protection, the environmental temperature < 5°C	
CH	High temperature protection, the environmental temperature > 38°C	

8. DECOMMISSIONING

8.1 Storage

Long-term storage - If you will not be using the unit for an extended period of time (more than a few weeks) it is best to clean the unit and dry it out completely before storing. Please store the unit according to the following steps:

- Press power button to switch off the unit and unplug it.
- Drain the remaining water from the unit.
- Clean the filter and let the filter dry completely in a shaded area.
- Collect the power cord at the water tank.
- Re-install the filter into its correct position.
- The unit must be kept upright when in storage.
- Store the machine in a well-ventilated, dry, corrosive gas free, safe place indoors.

ATTENTION:

The evaporator inside the machine has to be dried out before the unit is packed to avoid component damage and mold. Unplug the unit and place it in a dry, open area for a few days to dry out. Another way to dry the unit is to set the humidity point more than 5% higher than ambient humidity to force the fan to dry the evaporator for a couple of hours.

7. TROUBLESHOOTING

7.1 Functioning Temp.

5°C ≤ Ambient Temp. ≤ 35°C

When ambient temp. is lower or higher than functioning temp., the dehumidifier stops.

When 5°C ≤ Ambient temp. ≤ 16°C, the compressor automatically defrosts at intervals; during defrosting, the compressor stops and the fan keeps running.

7.2 Before Calling for Service

Before contacting professional services, please review this troubleshooting list that covers common occurrences:

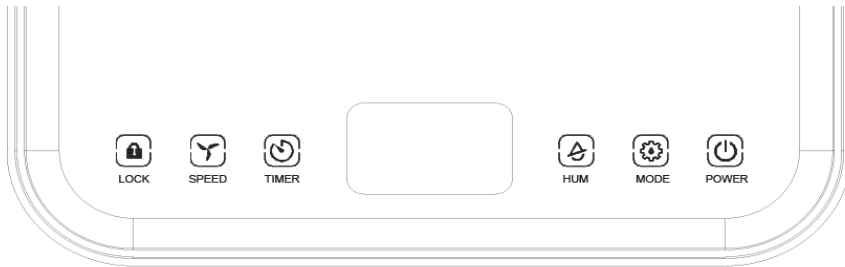
Problem	Possible Cause	Solution
Not working	No power supply	Connect to a functioning outlet and switch on
	Water Full Indication Flashes	Drain the water tank and reset it, or reposition the water tank to its correct place
	Room temperature < 5°C, or > 35 °C	The unit protects itself by ceasing to operate at such temperatures
Bad functioning	Is the air filter clogged?	Clean the air filter as instructed
	Are the intake or discharge ducts obstructed?	Remove the obstruction from the discharge or intake ducts
No air intake	Is the filter clogged?	Wash the filter
Loud noise when running	Is the machine placed on a flat surface?	Place the machine on a flat surface
	Is the filter clogged?	Clean the filter

3.2 OPERATING THE DEVICE SAFELY

- After unpacking, please check the device for any damage or scratches.
- Operate this unit within ambient temperatures from 5°C to 35°C.
- Do not use outdoors. This dehumidifier is intended for indoor residential use only.
- Do not operate in close proximity to walls, curtains, or other objects that may block the air inlet and/or outlet.
- Keep the air inlet and outlet free of obstructions.
- Place the wind deflector in the upward position prior to initial use.
- If tipped more than 45°, allow the unit to set upright for at least 24 hours before use.
- Keep doors and windows closed for better energy savings.
- Do not operate or store the unit in direct sunlight or rain.
- It is normal for the air outlet to feel warm to the touch after continuous operation on hot days.
- Empty the water tank before moving the device.
- Make sure the water tank is correctly fitted or the unit will not operate properly.
- The dehumidifier starts up in the last mode in which it was used.
- The dehumidifier starts operating if a room's humidity reaches a point 3% higher than the humidity selected.
- There is a protective 3-minute time delay on the compressor. Wait 3 minutes for the dehumidifier to resume dehumidification.

4. OPERATION

4.1 CONTROL PANEL



POWER

After switching the power on, the screen and all indicators will turn on for 1 second, and will then turn off. After a buzzer, the power indicator will turn on and the machine will enter standby mode.

Press the power button and the machine will start to run. The machine's initial settings are 60%RH, automatic mode, and high fan speed.

Press again and the machine will stop running, and the fan will turn off.



MODE

Press once to switch between auto mode, continuous drying mode, and sleeping mode cycle. The corresponding indicator will light up.

-Auto mode: When environmental humidity \geq set humidity +3%, the fan starts and the compressor begins working 3 seconds later.

When environmental humidity \leq set humidity -3%, the compressor stops working and the fan shuts down after a delay.

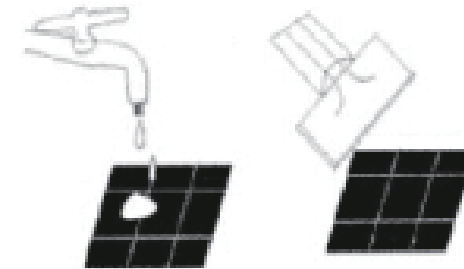
Both fan speed and humidity can be adjusted in auto mode.

-Continuously drying mode: The machine continues to run, but the humidity level cannot be adjusted.

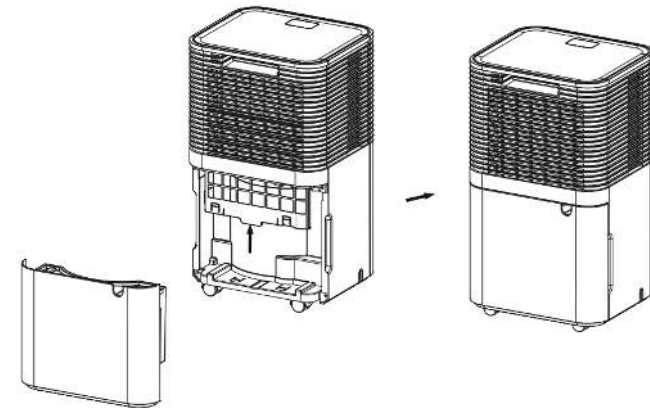
-Sleeping mode: Touch the sleep button, and the button lights up and the sleep function begins. After no operation for 10 seconds, all indicators gradually turn dark and the wind speed automatically switches from high to low. Touch any button to wake up the indicator. Touch the sleep button again to exit sleep mode.

In sleep mode, the fault code is not displayed, and wind speed and humidity are not adjustable.

2. Use a vacuum cleaner to gently remove the dust from the filter's surface. If the filter is very dirty, wash it with water and a soft detergent and dry it thoroughly afterwards.



3. Put the filter back in.



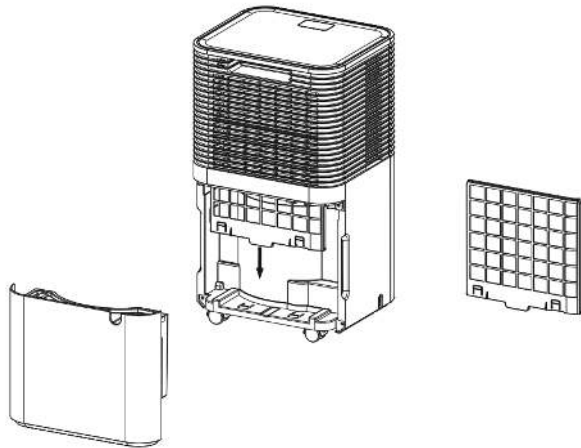
6. MAINTENANCE

Note: before cleaning and maintaining the machine, be sure to turn off the machine and pull the power plug to prevent electric shock.

Cleaning The Air Filter (every two weeks)

Over time, dust collects on the filter and can restrict airflow. Restricted airflow reduces the system's efficiency, and if it becomes seriously blocked it can cause damage to the unit. As such, the air filter is easily removable and requires regular cleaning. Do not attempt to operate the unit without an air filter, or the evaporator may become contaminated.

1. Remove the water tank from the body, and then pull out the filter from the bottom of the rear shell;



HUM

In automatic mode or sleep mode, you can press this key to adjust the set humidity.
Each press increases set humidity 5%, following a cycle of 30%-80%.
Long press this key and a set of double-eight lights will display current room temperature, automatically followed by current humidity 5 seconds later.



TIMER

Press this key to set the timer function from 0-24 hours. The function can be set at 1-hour intervals. Each time you press this button, the time increases 1 hour and will display on the screen. Cancel the timer function by setting the value at "00," and the indicator will turn off.
After the timer is set and completed, the timer LED turns on. After the timer is finished, the timer LED automatically turns off.
When running, set a time to turn the machine off;
when in standby, set a time to turn the machine on.



SPEED

The wind speed can only be adjusted in the automatic mode. Press this key to switch the high and low wind speed. The corresponding wind speed indicator will light up.



LOCK

Long press this key to activate the child lock function. With this function, the child lock indicator light turns on and all the keys become locked and inoperable. Press the button again and the indicator light will turn off, and functionality will return to normal.
Shutting down or powering off automatically cancels the child lock function.

4.2 Color Digital Display:

Ambient Humidity < 45%, The light show Blue

45 ≤ Ambient Humidity ≤ 65%, The light show Green

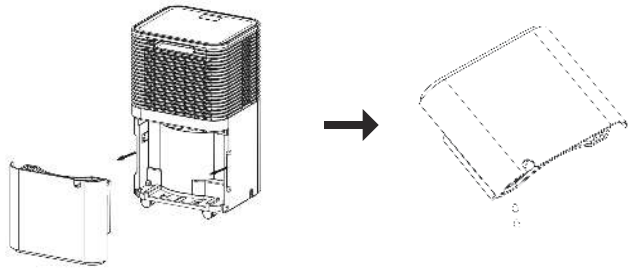
Ambient Humidity > 65%, The light show Red

If the LED display E0、E2、CL、CH、LO、HI, the light will show red.

5. DRAINAGE

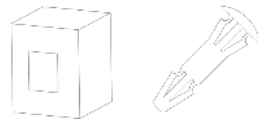
5.1 Emptying The Water Tank

- When the tank is full, the unit will make a buzzing sound, and the "Water Full" light will turn on.
- Press the POWER button to turn off the unit.
- Pull on the water tank and simply slide it out of the dehumidifier's body.
- Empty the water outside or down a drain.
- Clean the inside of the tank as well as the outside.
- Place the empty tank back into the unit.
- Press the POWER button to resume operation.
- If the "Water Full" light does not turn off, check that the float is correctly in place.



⚠ WARNING

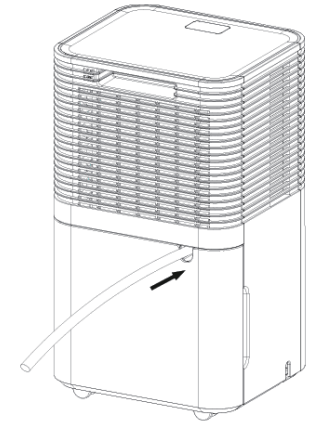
1. Do not discard water tank magnets and plastic rivets. Otherwise, the machine will not automatically stop working when the water tank is full, and the condensed water will overflow and damage the floor.
2. Please be sure to clean condensed water from the water tank before resetting the working mode of the machine.
3. If the water tank is dirty, rinse it with clean water. Avoid using detergents, steel balls, chemical dust removers, diesel oil, benzene, diluents or other solvents. Otherwise, the water tank will be damaged and will leak.
4. Place the empty tank back into the unit. Otherwise, the "Water Full" indicator may remain red and the machine will not restart.



5.2 Continues Draining

For continuous operation or unattended dehumidification, please connect the attached drain hose to the unit. Condensate water can be automatically drained into a bucket or drain via the action of gravity.

1. Straighten the drainage pipe.
2. Insert one end of the drainage pipe into the cistern hole and connect the other end to a bathroom drain, outdoors or into a bucket-like container, or any other prescribed drainage area.



⚠ WARNING

1. Please do not block the drain or drainage pipe. If it is blocked, condensed water will flow into the water tank, resulting in a potential leak.
2. Please do not bend the drainage pipe. The height of the drainage pipe should be lower than the outlet.
3. The drainage pipe must be securely connected to the outlet.