

RETRACTABLE GARDEN HOSE REEL (20M)

Product Instructions

Product No2502130

vonhaus

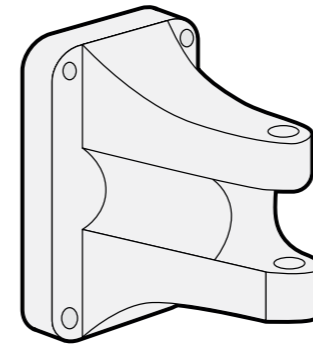
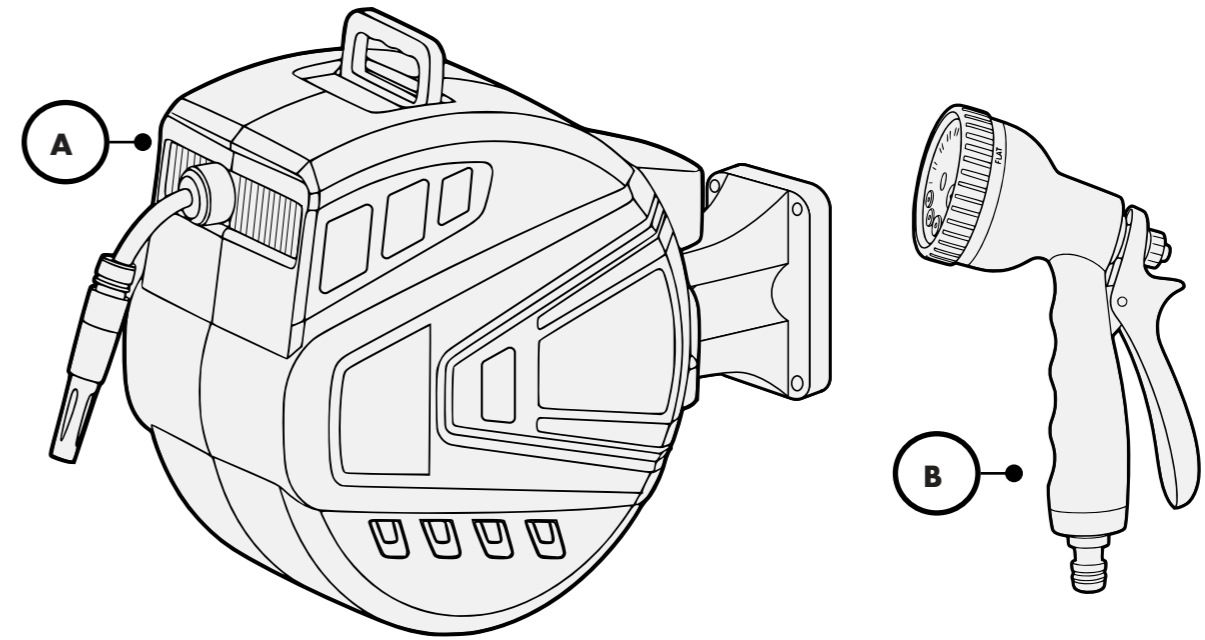
Let's get started!

Visit our product hub for useful tips and tricks on getting the most out of your new product.

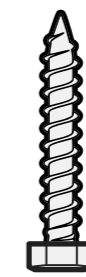
SCAN ME



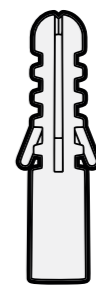
Product Diagram



C



D



E

Need further help?
support@vonhaus.com

See our full range at
www.vonhaus.com

- A. Hose Reel Machine
- B. 9 Function Sprayer
- C. Wall Mounting Bracket

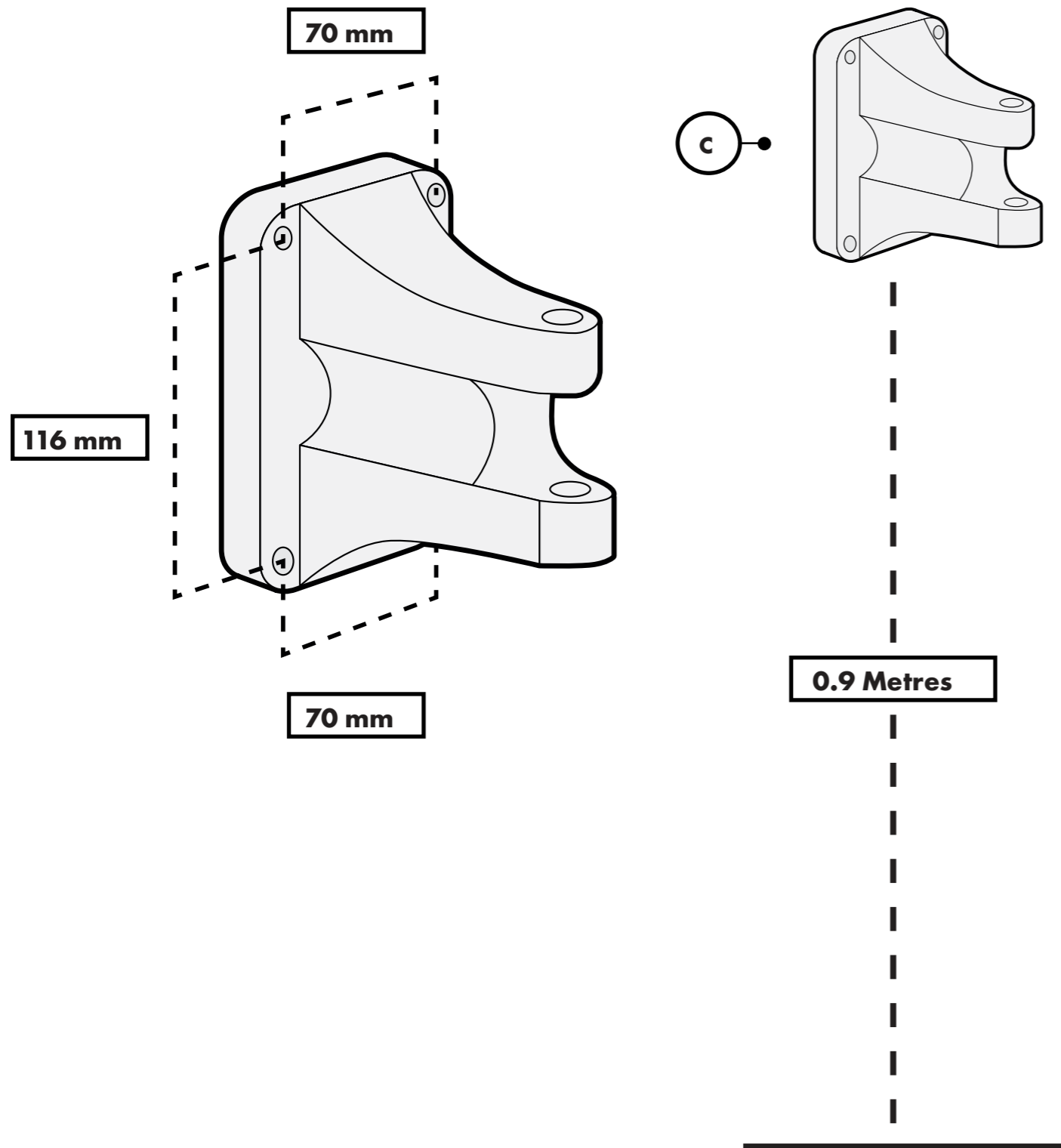
- D. M8*60 Screws x4
- E. Wall Plugs x4

Assembly

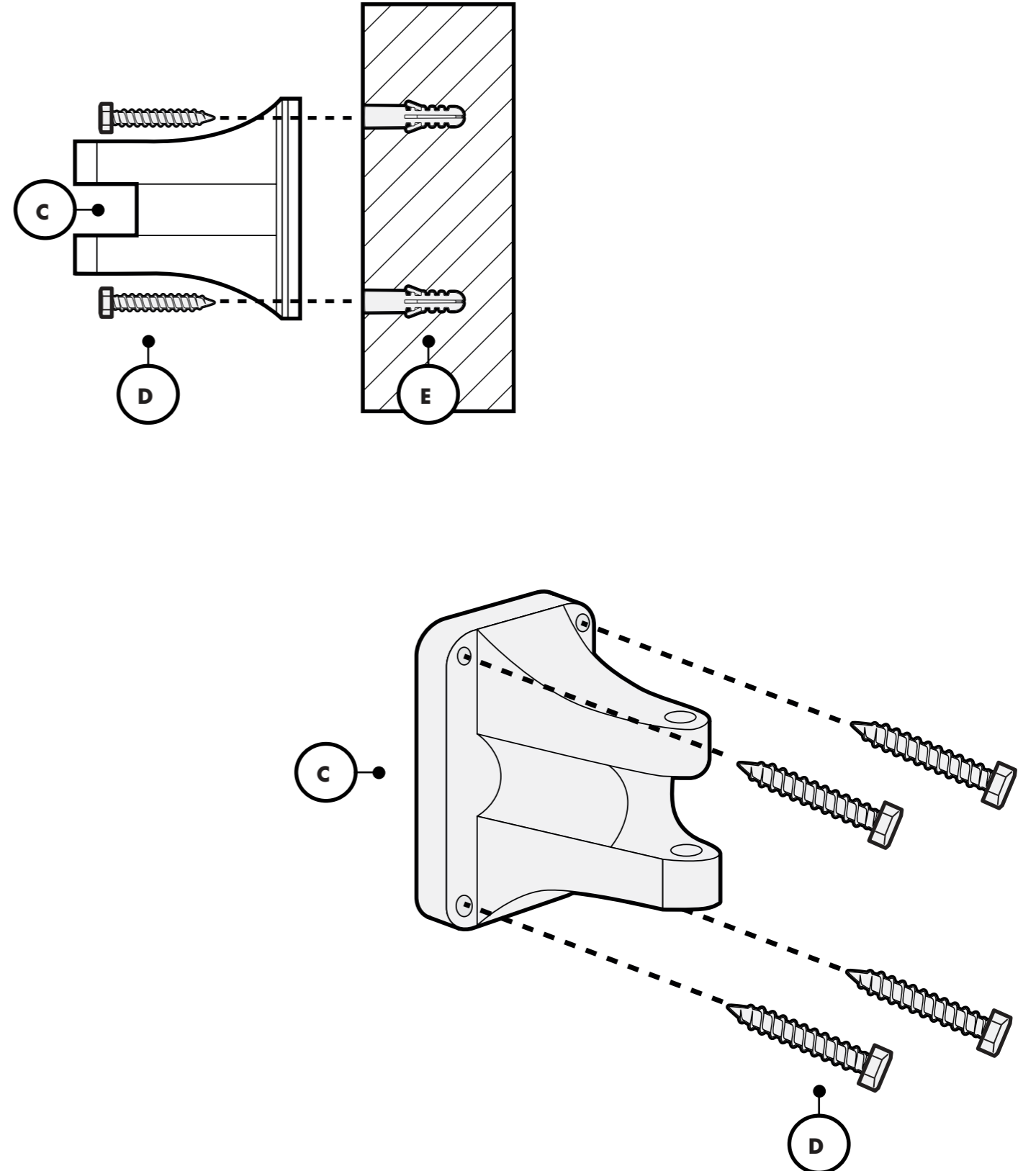
1

Drill four M8 holes to align with those in the mounting bracket.

It is recommended to install the mounting bracket at a height of 0.9 metres from the floor.

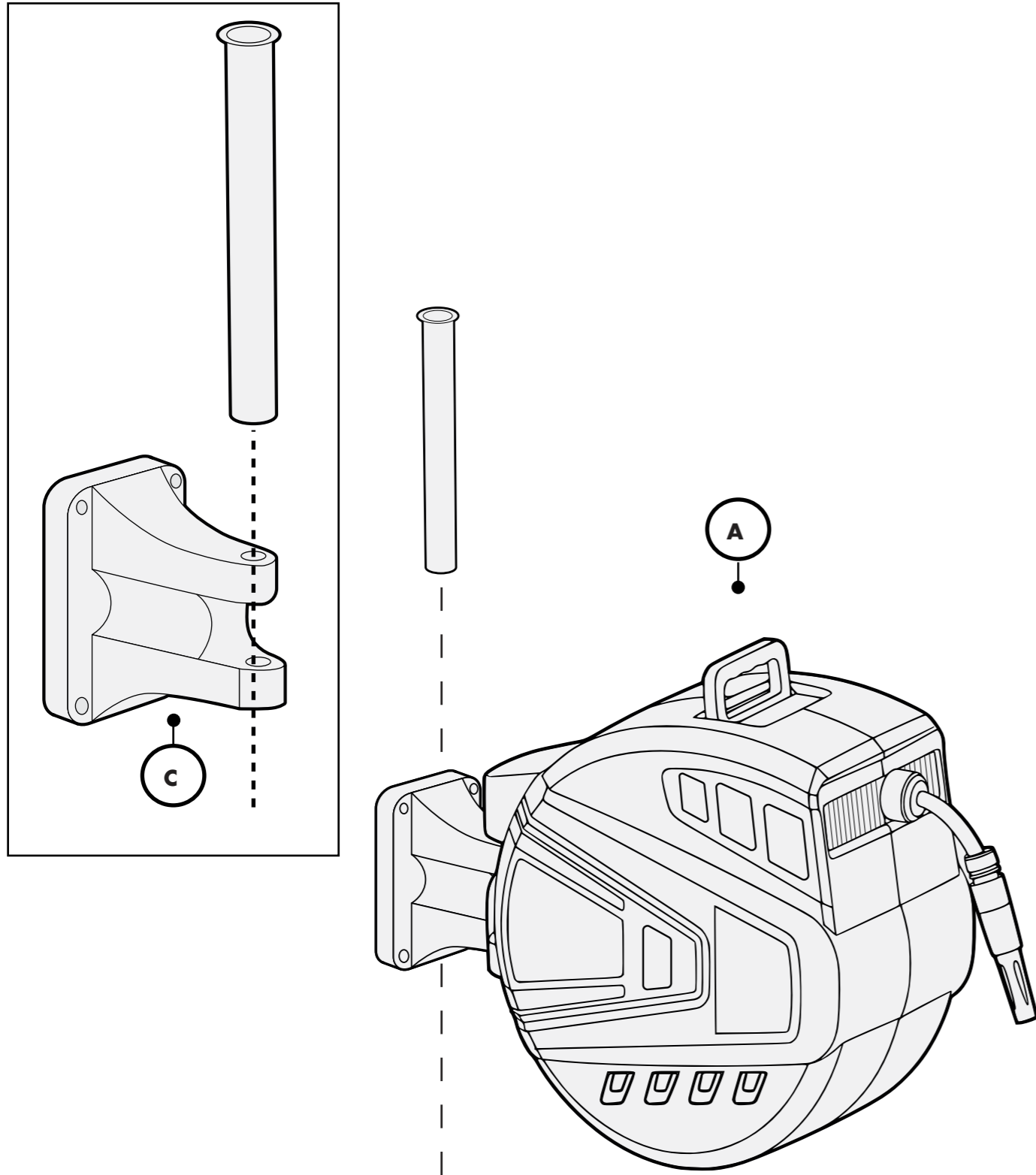


Assembly



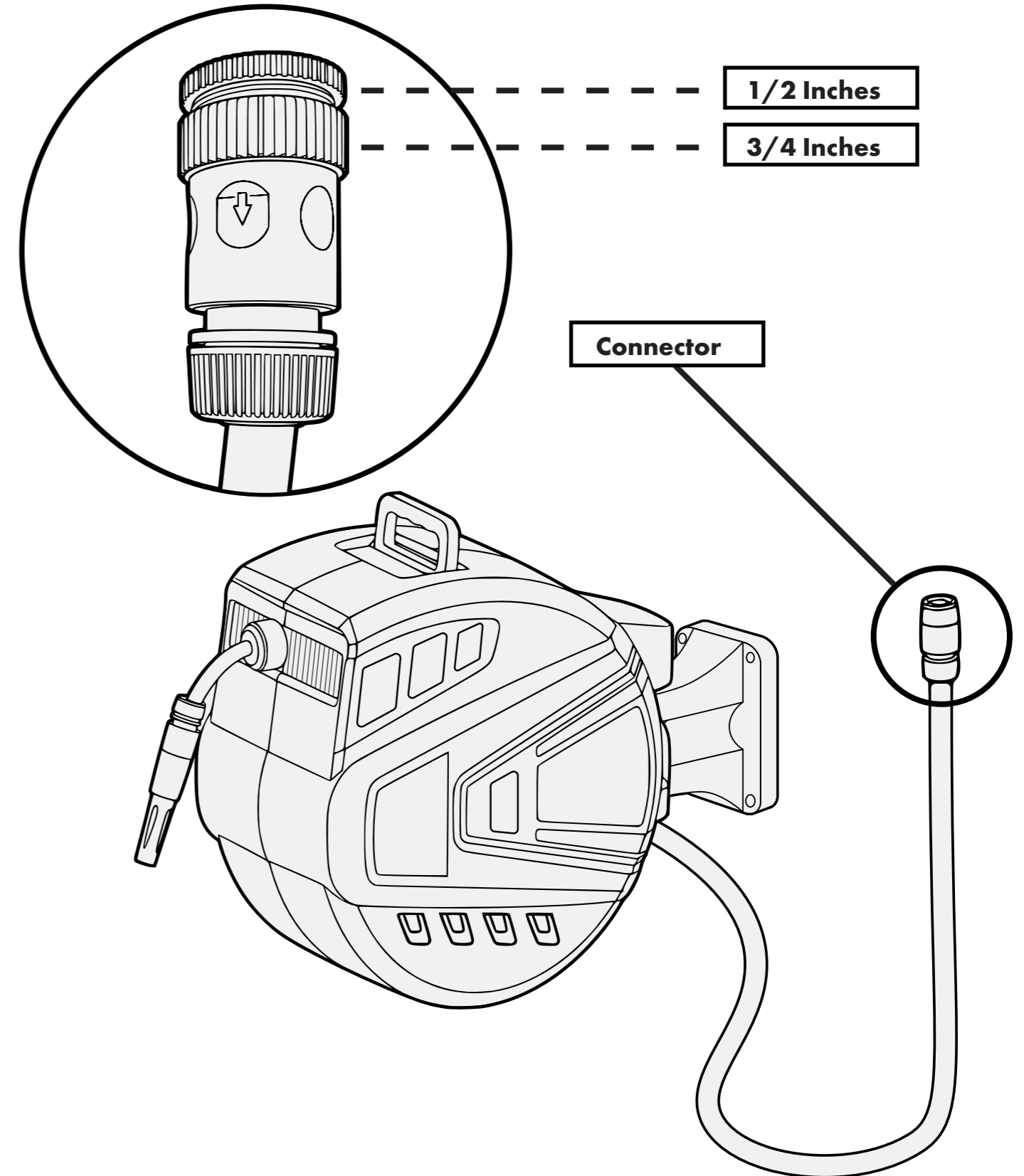
Assembly

- 2** Attach the hose reel to the mounting bracket using the pivot pin.



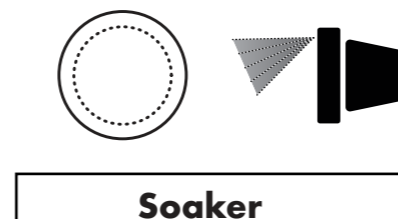
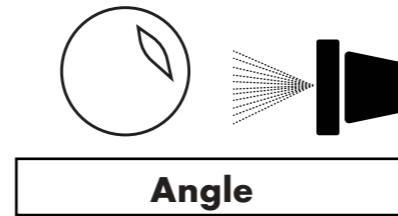
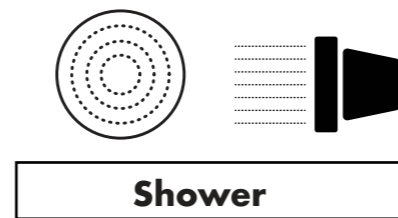
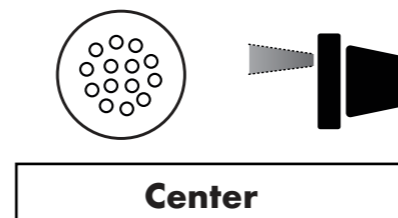
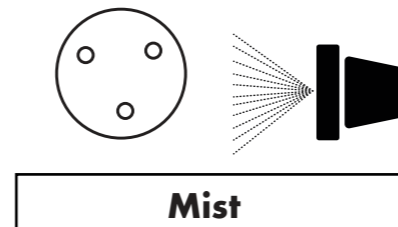
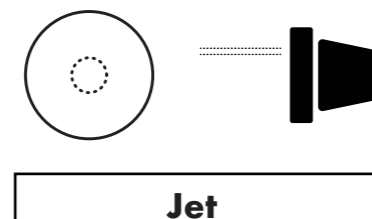
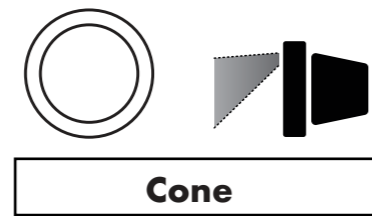
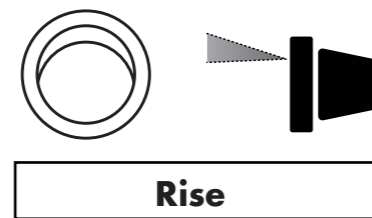
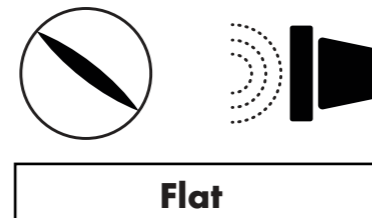
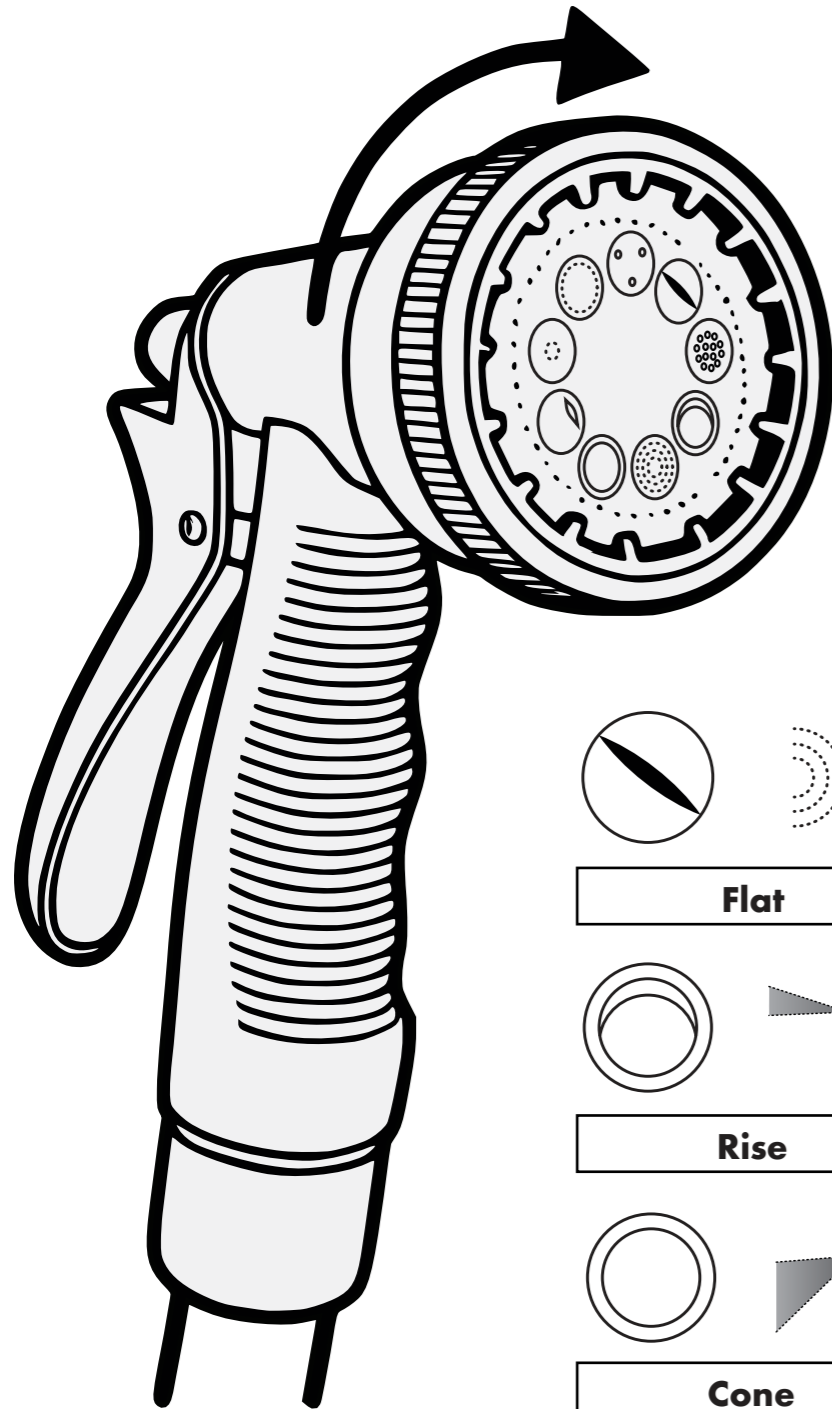
Assembly

- 3** Attach the connector to your tap. This 2-in-1 adaptor fits both 1/2-inch and 3/4-inch sizes.



Spray Settings

Rotate the nozzle head to switch between spray functions.



Information

Important Safety Notice

This product is **not suitable for use by children** or by individuals with **physical, sensory, or mental impairments** that may limit their ability to operate the equipment safely, **unless** they have been given supervision or instruction concerning the safe use of the product by a person responsible for their safety.

Intended Use

This product is intended for outdoor use. This product is not intended as a climbing structure, and it is not a toy. Children should be supervised to ensure that they do not play with the product.

Before First Use

Locate the product in a suitable area where it will not create an obstruction. Locate away from sources of combustion.

General Safety

The assembly pack may contain small parts which can pose a choking hazard to children and pets. Do not overload the product as this may result in damage to the product or personal injury.

Cleaning & Maintenance

Do not clean the product with any abrasive cloths or chemicals. Solvents or detergents can cause damage to the surface.

Periodically check and re-tighten fittings where applicable. Re-tighten all fittings after the first week following assembly. To clean,

sponge down with warm water, soft cloth, and mild detergent. Ensure you have all the pieces listed. If you are missing any components, contact our customer services department at support@vonhaus.com

Operation

1. Pull out the hose. It can be locked and stopped at any length.
2. Do not pull on the hose once it has reached its maximum length—the yellow mark on the hose indicates the end.
3. When the hose retracts, hold the nozzle until retraction is complete.

Troubleshooting

The most common issue is that the hose does not automatically retract after being fully extended.

This is usually because the hose end is locked by the stop-anywhere mechanism, and there is no extra hose left to release the catch.

There are two ways to resolve this:

1. Hold the hose at the yellow warning mark and give it a quick tug until it retracts.
2. Place the unit on its right side, then pull on the hose until it retracts.

Information

Customer Service

If you are having difficulty using this product and require support, please contact support@vonhaus.com

Warranty

To register your product and find out if you qualify for a free extended warranty please go to www.vonhaus.com/warranty

Please retain a proof of purchase receipt or statement as proof of the purchase date.

The warranty only applies if the product is used solely in the manner indicated in the warnings page of this manual, and all other instructions have been followed accurately.

Any abuse of the product or the manner in which it is used will invalidate the warranty.

Returns

Returned goods will not be accepted unless re-packaged in its original packaging and accompanied by a relevant and completed returns form. This does not affect your statutory rights.

No rights are given under this warranty to a person acquiring the appliance second-hand or for commercial or communal use.

Copyright

All material in this instruction manual are copyrighted by DOMU Brands.

Any unauthorised use may violate worldwide copyright, trademark, and other laws.

Thank You

Thank you for purchasing your product/appliance.

Should you require assistance with your purchase, please contact us at support@vonhaus.com

Vonhaus is a registered trademark of DOMU Brands Ltd.

Made in China for DOMU Brands Ltd.
Unit 30, Stakehill Industrial Estate
Middleton, Manchester, M24 2RW

EU Authorised Representative

Authorised Representative Service
77 Camden Street Lower
Dublin, D02 XE80
Ireland

Let's get started!

Visit our product hub for useful tips and tricks on getting the most out of your new product.

SCAN ME

