

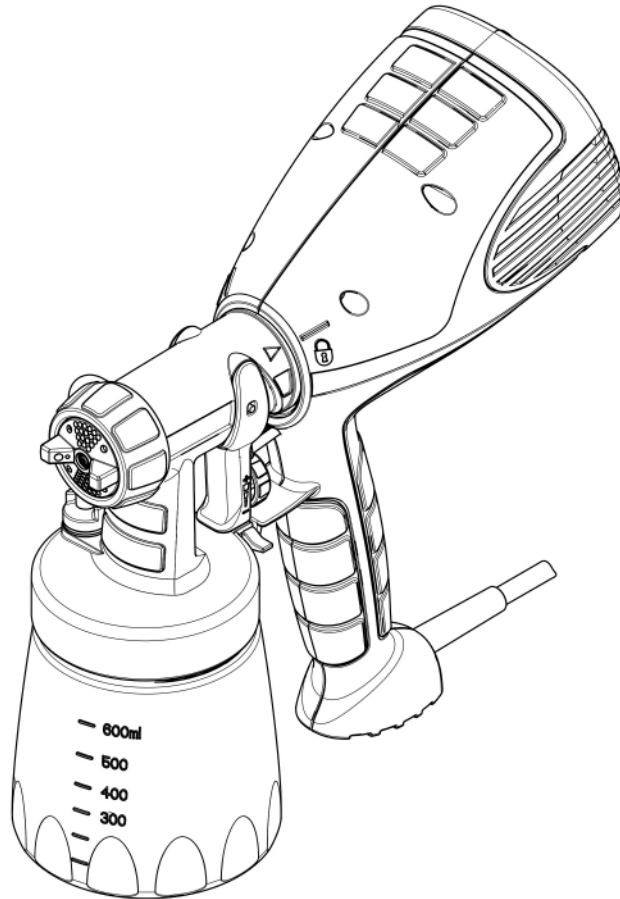


Owner's Manual

Read this manual for complete instructions

Español (página 2)

Opti-Stain Sprayer



Contents

- 2 Important Safety Information
- 4 Components
- 5 Material Preparation
- 6 Assembly
- 7 Spraying
- 8 Cleanup
- 10 Maintenance
- 11 Troubleshooting
- 24 Parts List
- 26 Warranty

Questions?

Call Wagner Technical Service at:

1-800-328-8251

Register your product online at:

www.wagnerspraytech.com

Important Safety Information



Read all safety information before operating the equipment. Save these instructions.



Indicates a hazardous situation which, if not avoided, could result in death or serious injury.

To reduce the risks of fire or explosion, electrical shock and the injury to persons, read and understand all instructions included in this manual. Be familiar with the controls and proper usage of the equipment.



WARNING - To reduce the risk of fire or explosion:

1. Do not spray flammable or combustible materials near an open flame, pilot lights or sources of ignition such as hot objects, cigarettes, motors, electrical equipment and electrical appliances. Avoid creating sparks from connecting and disconnecting power cords.
2. For use with only water-based or mineral spirit-type materials with a minimum flash point of 38°C (100° F) — Do not spray or clean with liquids having a flash point of less than 38°C (100° F). Flash point is the temperature at which a fluid can produce enough vapor to ignite.
3. Verify that all containers and collection systems are grounded to prevent static discharge.
4. Connect to a grounded outlet and use grounded extension cords (electric models only). Do not use a 3 to 2 adapter.
5. Keep spray area well ventilated. Keep a good supply of fresh air moving through the area to keep the air within the spray area free from accumulation of flammable vapors.
6. Do not smoke in the spray area.
7. Do not operate light switches, engines, or similar spark producing products in the spray area.
8. Keep area clean and free of paint or solvent containers, rags, and other flammable materials.
9. Know the contents of the paint and solvents being sprayed. Read all Material Safety Data Sheets (MSDS) and container labels provided with the paints and solvents. Follow the paint and solvent manufacture's safety instructions.
10. Fire extinguisher equipment shall be present and working.

Grounding Instructions

This product must be grounded. In the event of an electrical short circuit, grounding reduces the risk of electric shock by providing an escape wire for the electric current. This product is equipped with a cord having a grounding wire with an appropriate grounding plug. The plug must be plugged into an outlet that is properly installed and grounded in accordance with all local codes and ordinances.

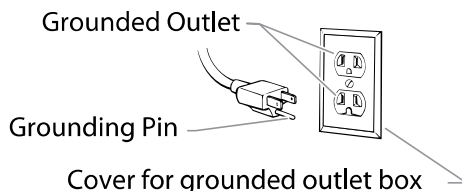


WARNING - Improper installation of the grounding plug can result in a risk of electric shock.

If repair or replacement of the cord or plug is necessary, do not connect the green grounding wire to either flat blade terminal. The wire with insulation having a green outer surface with or without yellow stripes is the grounding wire and must be connected to the grounding pin.

Check with a qualified electrician or serviceman if the grounding instructions are not completely understood, or if you are in doubt as to whether the product is properly grounded. Do not modify the plug provided. If the plug will not fit the outlet, have the proper outlet installed by a qualified electrician.

This product is for use on a nominal 120 volt circuit and has a grounding plug that looks like the plug illustrated below. Make sure that the product is connected to an outlet having the same configuration as the plug. No adapter should be used with this product.



Important Safety Information



WARNING - To reduce the risk of injury:

1. Always wear appropriate gloves, eye protection, clothing and a respirator or mask when painting. Hazardous vapors – Paints, solvents, insecticides, and other materials can be harmful if inhaled or come in contact with body. Vapors can cause severe nausea, fainting or poisoning.
2. Do not operate or spray near children. Keep children away from equipment at all times.
3. Do not overreach or stand on an unstable support. Keep effective footing and balance at all times.
4. Stay alert and watch what you are doing.
5. Do not operate the unit when fatigued or under the influence of drugs or alcohol.
6. Never aim spray gun at any part of the body.
7. Follow all appropriate local, state, and national codes governing ventilation, fire prevention, and operation.
8. The United States Government Safety Standards have been adopted under the Occupational Safety and Health Act (OSHA). These standards, particularly part 1910 of the General Standards and part 1926 of the Construction Standards should be consulted.
9. Use only manufacturer authorized parts. User assumes all risks and liabilities when using parts that do not meet the minimum specifications and safety devices of the turbine manufacturer.
10. Power cord must be connected to a grounded circuit.
11. Do not spray outdoors on windy days.



WARNING - To reduce the risk of electric shock:

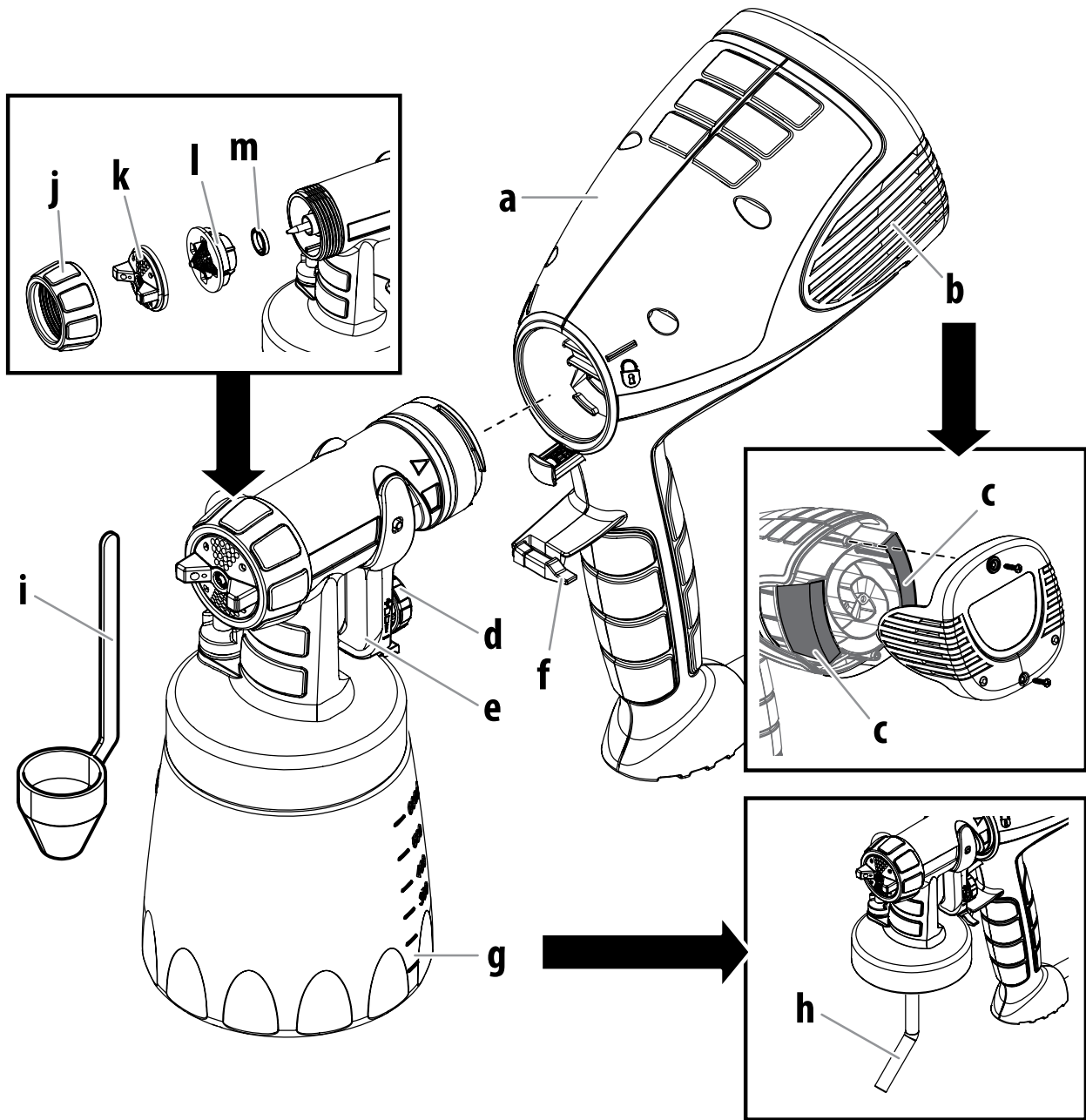
1. Always remove turbine before cleaning.
2. Power cord must be connected to a grounded circuit.
3. Never submerge electrical parts.
4. Never expose the equipment to rain. Store indoors.
5. Keep electrical cord plug and spray gun trigger free from paint and other liquids. Never hold the cord at plug connections to support the cord. Failure to observe may result in an electrical shock.

Important Electrical Information

Use only a 3-wire extension cord that has a 3-blade grounding plug and a 3-slot receptacle that will accept the plug on the product. Make sure your extension cord is in good condition. When using an extension cord, be sure to use one heavy enough to carry the current your product will draw. An undersized cord will cause a drop in line voltage resulting in loss of power and overheating. A 14 gauge or 12 gauge cord is recommended. If an extension cord is to be used outdoors, it must be marked with the suffix W-A after the cord type designation. For example, a designation of SJTW-A would indicate that the cord would be appropriate for outdoor use.

IMPORTANT: Household use only. Intended for outdoor use ONLY with materials having flashpoint above 100°F (38°C).

Components



Item	Description
a	Turbine
b	Filter housing
c	Filter (2)
d	Material flow control
e	2-stage trigger
f	Release tab
g	600 ml cup

Item	Description
h	Suction tube
i	Viscosity cup
j	Nut
k	Air cap
l	Nozzle
m	Nozzle seal

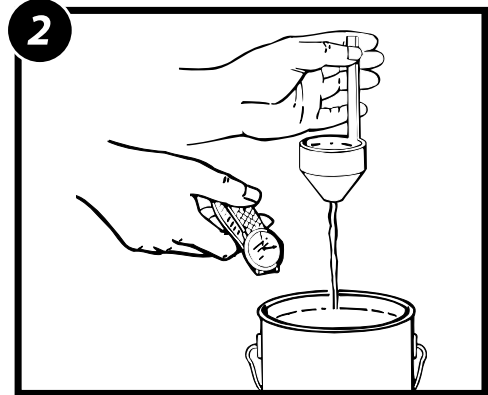
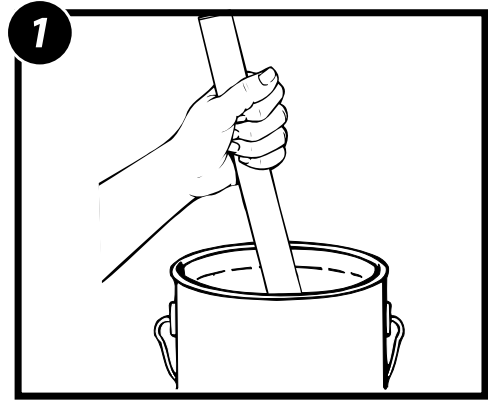
Material Preparation

Note: Before spraying, the material being used may need to be thinned with the proper solvent as specified by the material manufacturer. Never exceed the thinning advice given by the coating manufacturer.

Do not use materials with a flashpoint below 100°F (38°C). Follow the instructions below.


To Prepare the Material:

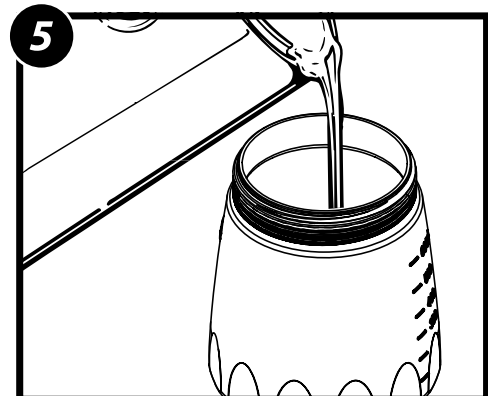
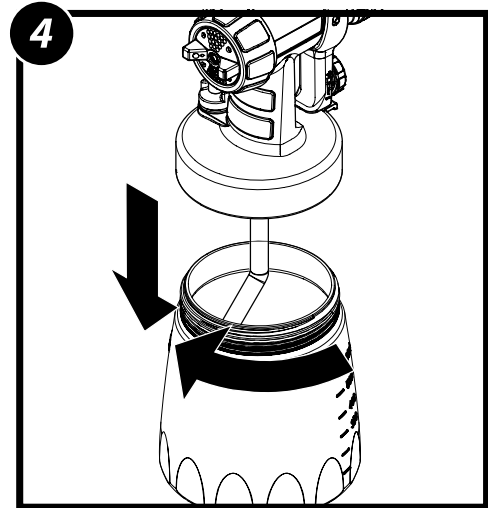
1. Stir the spraying material thoroughly.
2. Dip the viscosity test cup completely into the spraying material.
3. Hold the test cup up and measure the time in seconds until the liquid empties out. This time is referred to below as Runout Time.
4. Unscrew the cup from the nozzle.
5. After the material has been properly thinned and strained, fill the container to desired level.



3 **Thinning Chart**

Material	Runout Time (seconds)
Oil enamel	25-40
Oil based primer	30-45
Oil stain	No thinning required
Clear sealer	No thinning required
Polyurethane	No thinning required
Varnish	20-50

 **Do not thin with materials that have a flashpoint below 100°F (38°C). The material flashpoint should be shown on the material container.**



Assembly

Before you begin:



NEVER point the spray gun at any part of the body.

To Assemble:

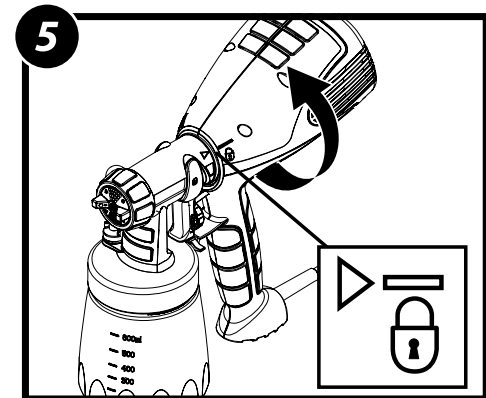
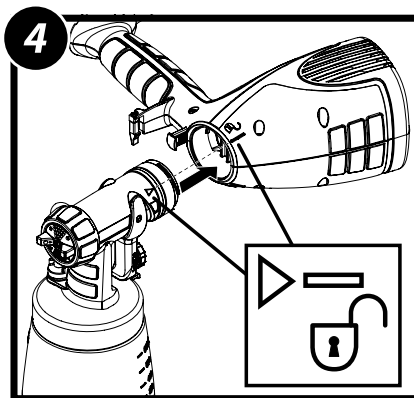
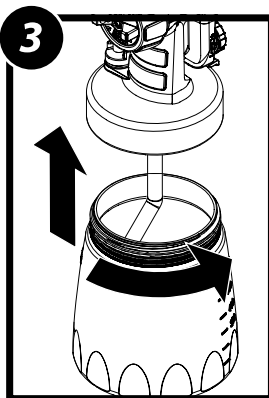
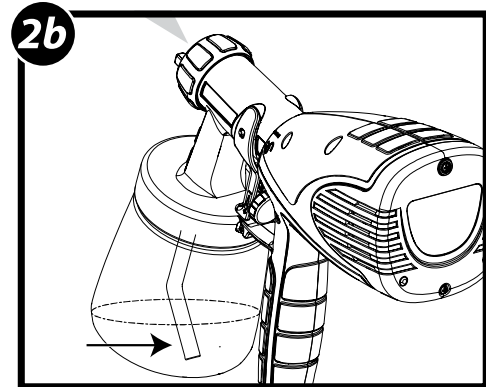
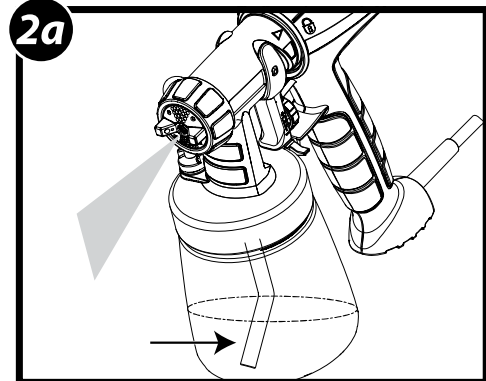
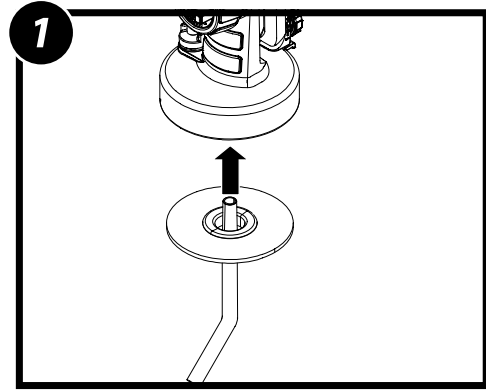
IMPORTANT: Make sure the power cord is unplugged.

1. Insert the suction tube into the intake opening.
2. **Align the suction tube -**
 - a. If you are going to be spraying in a downward direction, the angled end of the suction tube should be pointing toward the front of the gun.
 - b. If you are going to be spraying in an upward direction, the angled end of the suction tube should be pointing toward the rear of the gun.

Note: Make sure the suction tube is inserted as far as it will go to ensure a tight fit.

IMPORTANT: Never tip the sprayer at more than a 45° angle. Material could get into the turbine and damage the sprayer.

3. Carefully screw the cup back onto the nozzle assembly. Tighten firmly.
4. Align the arrow on the nozzle with the “unlock” symbol on the turbine.
5. Insert and twist the nozzle into the turbine toward the “lock” symbol on the turbine.
The tab below the trigger will lock the two pieces into place.



Spraying

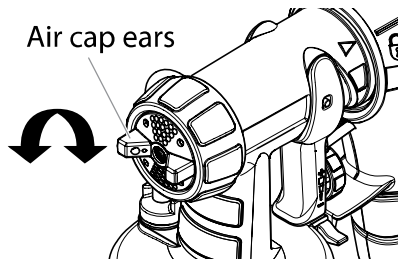
Adjust Spray Pattern

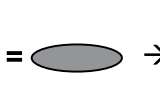
The spray pattern shape is adjusted by turning the ears of the air cap to either the vertical, horizontal, or diagonal positions. The positions of the air cap and the corresponding spray pattern shapes are illustrated below.

Test each pattern and use whichever pattern is suitable for your application.



NEVER trigger the gun while adjusting the ears on the air cap. NEVER point the spray gun at any part of the body.

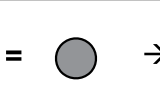


Horizontal pattern
=  → Use 'up and down' spraying motion



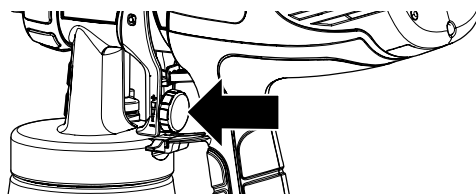
Vertical pattern
=  → Use 'side to side' spraying motion



Diagonal pattern
=  → Use 'up and down' or 'side to side' spraying motion
→ For coating smaller areas, corners and edges

Material Flow Adjustment

Set the material volume by turning the regulator on the trigger of the spray gun.



Proper Spraying Technique

If spraying with an HVLP spray system is new or unfamiliar to you, it is advisable to practice on a piece of scrap wood or cardboard before beginning on your intended workpiece.

Surface Preparation

All objects to be sprayed should be thoroughly cleaned before spraying material on them. Areas not to be sprayed may, in certain cases, need to be masked or covered.

Spray Area Preparation - outdoor use only

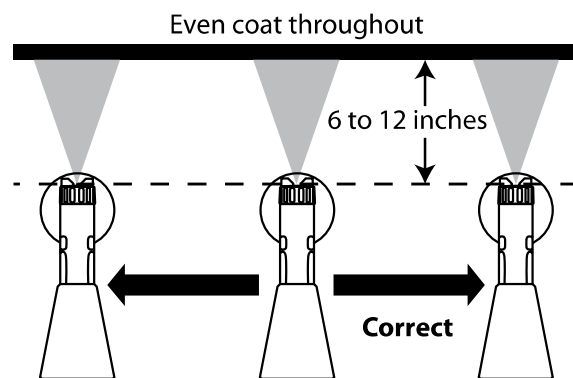
The spray area must be clean and free of dust in order to avoid blowing dust onto your freshly sprayed surface.

How to Spray Properly



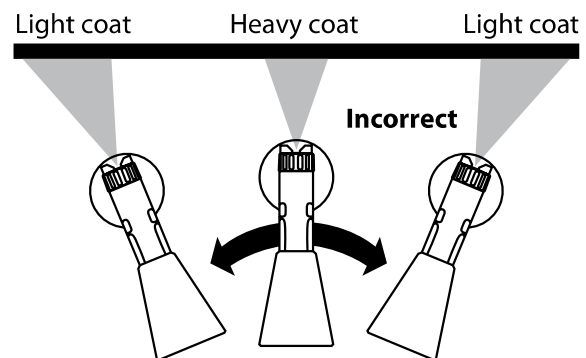
Partially pulling the trigger will start the turbine, but no material will spray until the trigger is pulled fully. It is recommended that the trigger first be pulled partially in order to start the turbine before a spray pass is made.

- Position the spray gun perpendicular to and one (1) or more inches from the spray surface, depending upon the spray pattern size desired.
- Spray parallel to the surface with smooth passes at a consistent speed as illustrated below. Doing this will help avoid irregularities in the finish (i. e. runs and sags).
- Always apply a thin coat of material on the first pass and allow to dry before applying a second, slightly heavier coat.
- The closer your sprayer is to the object being sprayed the lower the overspray.



Keep stroke smooth and at an even speed

- When spraying, always trigger the spray gun after spray pass has begun and release trigger before stopping the pass. Always keep the gun pointed squarely at the spray surface and overlap passes slightly to obtain the most consistent and professional finish possible.



Do not flex wrist while spraying.

Cleanup

Flushing the unit

Before you begin:

When cleaning, use the appropriate cleaning solution (warm, soapy water for latex materials; mineral spirits for oil-based materials)

IMPORTANT: Never clean air cap or air holes in the nozzle with sharp metal objects. Do not use solvents or lubricants containing silicone.



Special cleanup instructions for use with flammable solvents (must have a flashpoint above 100°F (38°C):

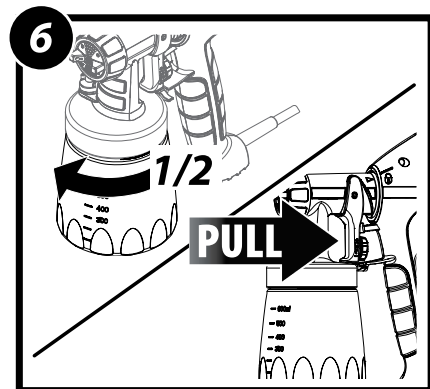
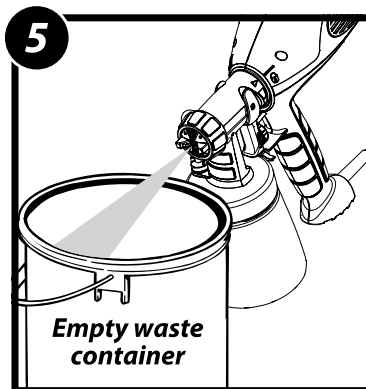
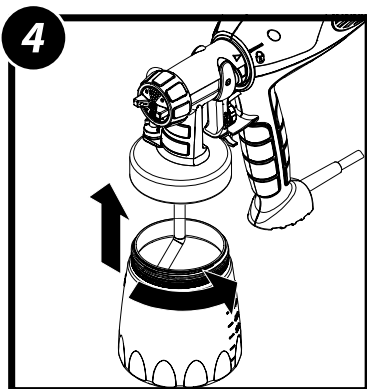
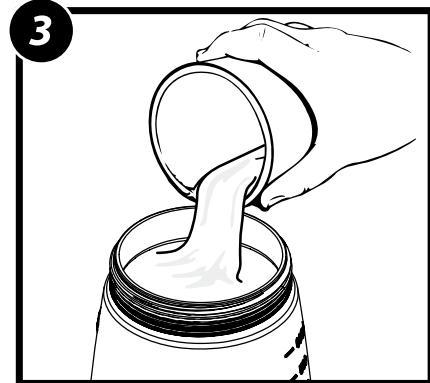
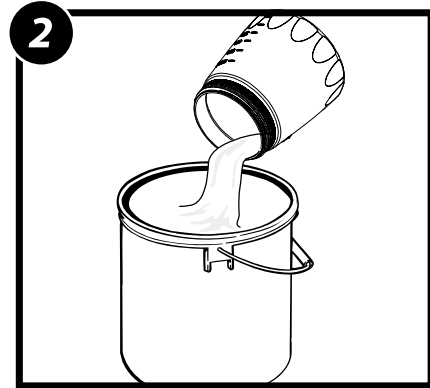
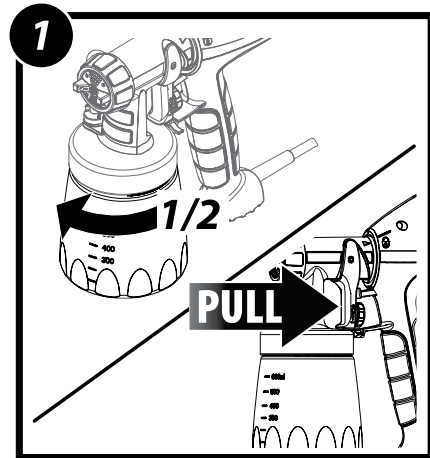
- Always flush spray gun outside.
- Area must be free of flammable vapors.
- Cleaning area must be well-ventilated.
- Do not submerge turbine!

To Flush the Unit:

1. Unplug the power cord. Loosen the material container by 1/2 turn, but do not remove it. This will relieve any pressure left over in the system.
Pull the trigger so that the material inside the spray nozzle drains back into the container.
2. Unscrew the container and remove. Empty any remaining material back into the material container.
3. Pour a small amount of the appropriate cleaning solution into the cup (Water=1/2 full. Mineral spirits=1/4 full).
4. Attach the cup to the nozzle and plug in the sprayer.
Spray the cleaning solution into a safe area.
While spraying, gently shake the spray gun. This slight agitation will help break up smaller particles of spray material.
6. Unplug the power cord. Loosen the material container by 1/2 turn, but do not remove it. This will relieve any pressure left over in the system.
Pull the trigger so that the material inside the spray nozzle drains back into the container.

IMPORTANT: If you cleaned the sprayer using mineral spirits, repeat steps 1-6 using warm, soapy water.

Move on to "Cleanup - Cleaning the Nozzle", next page.

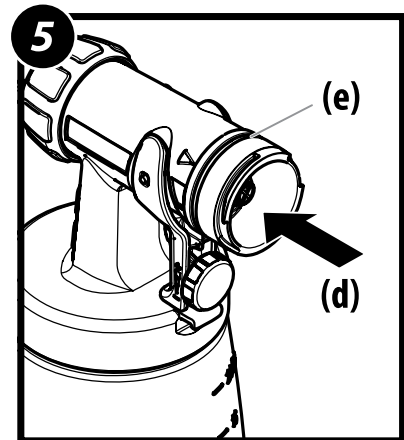
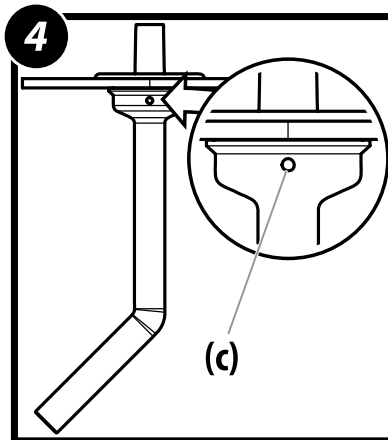
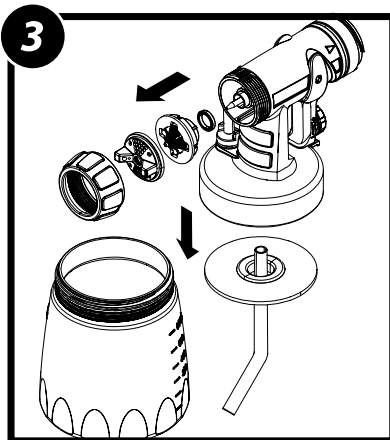
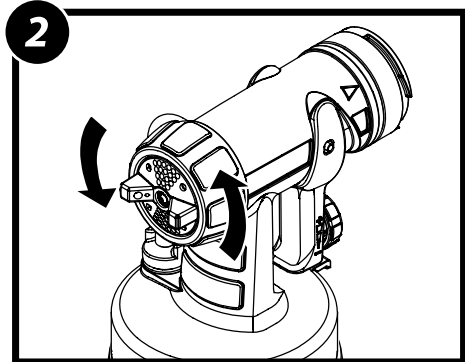
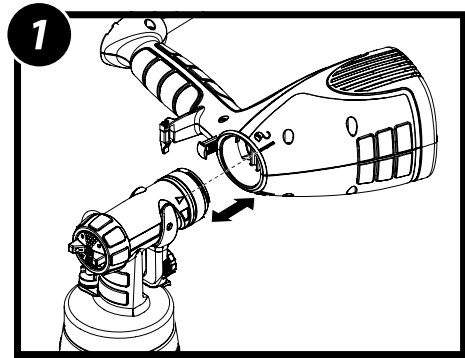


Cleanup

Cleaning the Nozzle

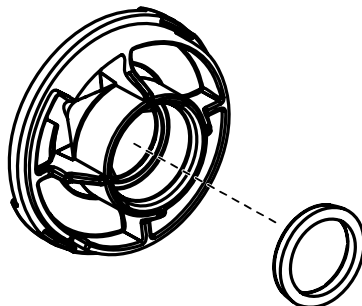
To Clean the Nozzle:

1. Make sure power cord is unplugged.
Push the tab below the trigger, twist and separate the nozzle from the turbine. Wipe the exterior of the cup and nozzle until clean.
2. Unscrew the nut and remove the air cap and nozzle.
3. Remove the parts as shown*. Clean all parts with a cleaning brush and the appropriate cleaning solution. Reassemble when clean**.
4. Clean the air vent (c) on the suction tube with a soft bristled cleaning brush.
5. Clean the rear of the nozzle (d) with the appropriate cleaning solution. Use a thin layer of petroleum jelly to lubricate the O-ring (e).

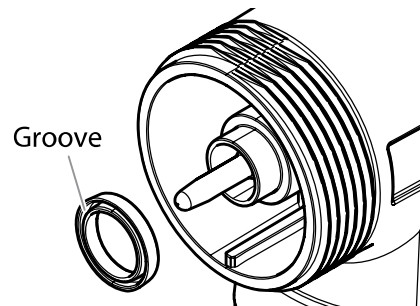


* Nozzle seal

The red nozzle seal may become stuck inside the spray nozzle when the nozzle is removed. If this occurs, make sure to pull it out.



** It is important that the nozzle seal inside the nozzle be re-installed properly. Make sure the cup side of the seal (the side with the groove) is facing out towards the front of the nozzle.



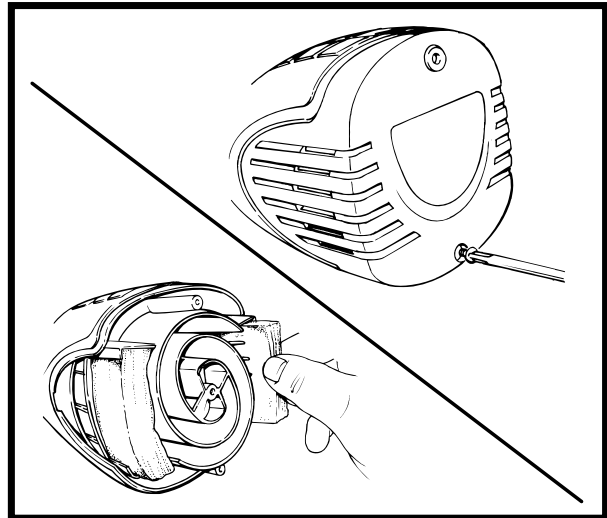
Maintenance

Cleaning the Filters:

IMPORTANT: You should inspect the air filters in the turbine to see if it is excessively dirty. If it is dirty, follow these steps to replace it.

IMPORTANT: Never operate your unit without the air filters. Dirt could be sucked in and interfere with the function of the unit.

1. Unplug the spray gun. Remove the filter cover from the turbine by removing the two screws holding it in place.
2. Remove the dirty filters and replace with new ones. The smooth side of the air filter must be placed toward the turbine.
3. Secure the cover back onto the turbine.



Cleaning the Air Tube:

Note: If material has entered the air tube, proceed as follows.

1. Pull the air tube (a) at the top from the nozzle. Screw off the valve cover (b). Remove the valve seal (c). Clean all the parts carefully. Make sure to remove any material from valve seal housing area (d).

IMPORTANT: The air tube and valve seal (c) are only solvent-resistant to a limited extent. Do not immerse in solvent, only wipe.

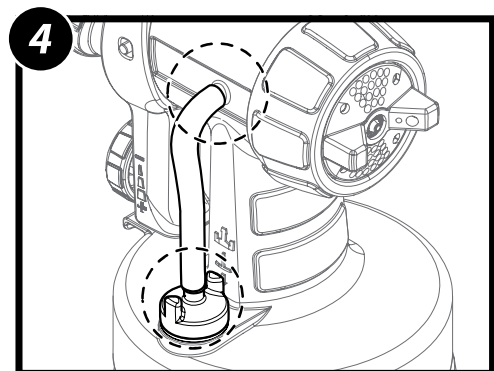
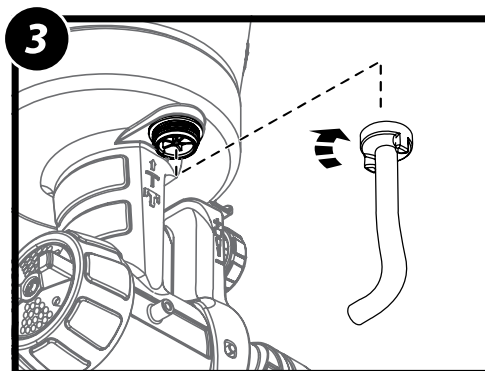
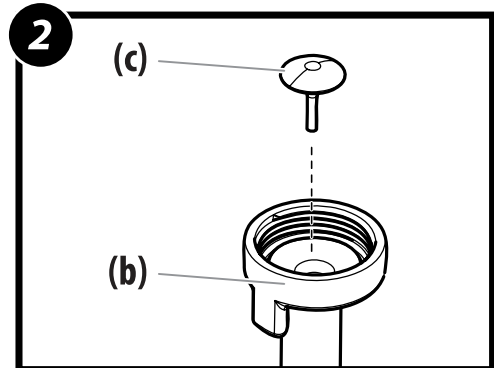
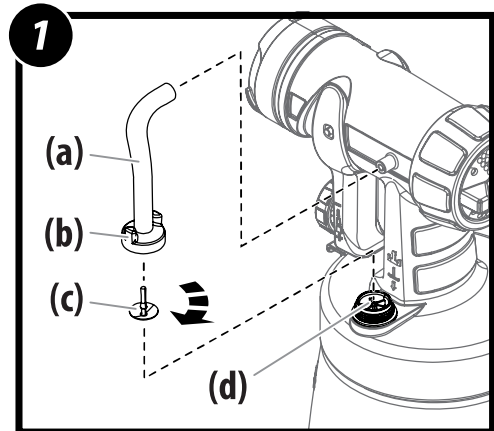
2. Place the valve seal (c) in the valve cover (b) with the pin facing into the tube.

Note: Installing the valve seal into the valve cover will be much easier if the valve cover is inverted.

3. Turn the nozzle upside down and screw on the valve cover (with valve seal inside) from underneath.

Note: Turning the nozzle upside down will prevent the valve seal from falling out of the valve cover during reinstallation.

4. Place the air tube on the valve cover and on the nipple at the nozzle.



Troubleshooting

PROBLEM	CAUSE	SOLUTION
Problem A: Little or no material flow	<ol style="list-style-type: none"> 1. Nozzle clogged. 2. Suction tube clogged. 3. Material flow setting too low. 4. Suction tube loose. 5. Air vent on suction tube blocked. 6. No pressure build up in container. 7. Air valve tube disconnected, valve seal missing. 8. Air valve tube or valve seal plugged. 9. Air filter clogged. 10. Spray material too thick. 11. Nozzle seal missing or worn. 	<ol style="list-style-type: none"> 1. Clean. 2. Clean. 3. Increase material flow setting. 4. Remove and replace as tightly as possible. 5. Clean (see page 13, item 4) 6. Tighten container. 7. Reconnect both ends of the air tube, replace valve seal. 8. Clean (see "Cleaning the Air Valve Tube, page 15) 9. Change 10. Thin*. 11. Clean or replace.
Problem B: Material leaking	<ol style="list-style-type: none"> 1. Nozzle loose. 2. Nozzle worn. 3. Nozzle seal missing or worn. 4. Material build-up on air cap and nozzle 	<ol style="list-style-type: none"> 1. Tighten. 2. Replace. 3. Clean or replace. 4. Clean.
Problem C: Spray pattern too thick, runs and sags	<ol style="list-style-type: none"> 1. Material flow setting too high. 2. Applying too much material. 3. Nozzle clogged. 4. Air filter clogged. 5. Too little pressure build-up in container. 6. Spray material too thick. 	<ol style="list-style-type: none"> 1. Decrease material flow setting. 2. Adjust material flow or increase movement of spray gun. 3. Clean. 4. Change. 5. Tighten container. 6. Thin.
Problem D: Spray jet pulsates	<ol style="list-style-type: none"> 1. Material in container running out. 2. Air filter clogged. 3. Air valve tube disconnected. 4. Nozzle seal missing or worn. 	<ol style="list-style-type: none"> 1. Refill. 2. Change. 3. Reconnect both ends of the air tube. 4. Clean or replace.
Problem E: Too much overspray	<ol style="list-style-type: none"> 1. Gun too far from spray object. 	<ol style="list-style-type: none"> 1. Reduce distance.
Problem F: Pattern is very light and splotchy	<ol style="list-style-type: none"> 1. Moving the spray gun too fast. 2. Material flow setting too low. 	<ol style="list-style-type: none"> 1. Adjust material flow or decrease movement of spray gun. 2. Increase material flow setting.



This unit contains no servicable electrical parts. Do not attempt to service yourself. Store indoors with the cord wrapped around the turbine handle.



Have you tried the recommendations above and are still having problems? In the United States, to speak to a customer service representative, call our Technical Service at 1-800-328-8251. See www.wagnerspraytech.com in the "Contact Us" section for Technical Service hours.

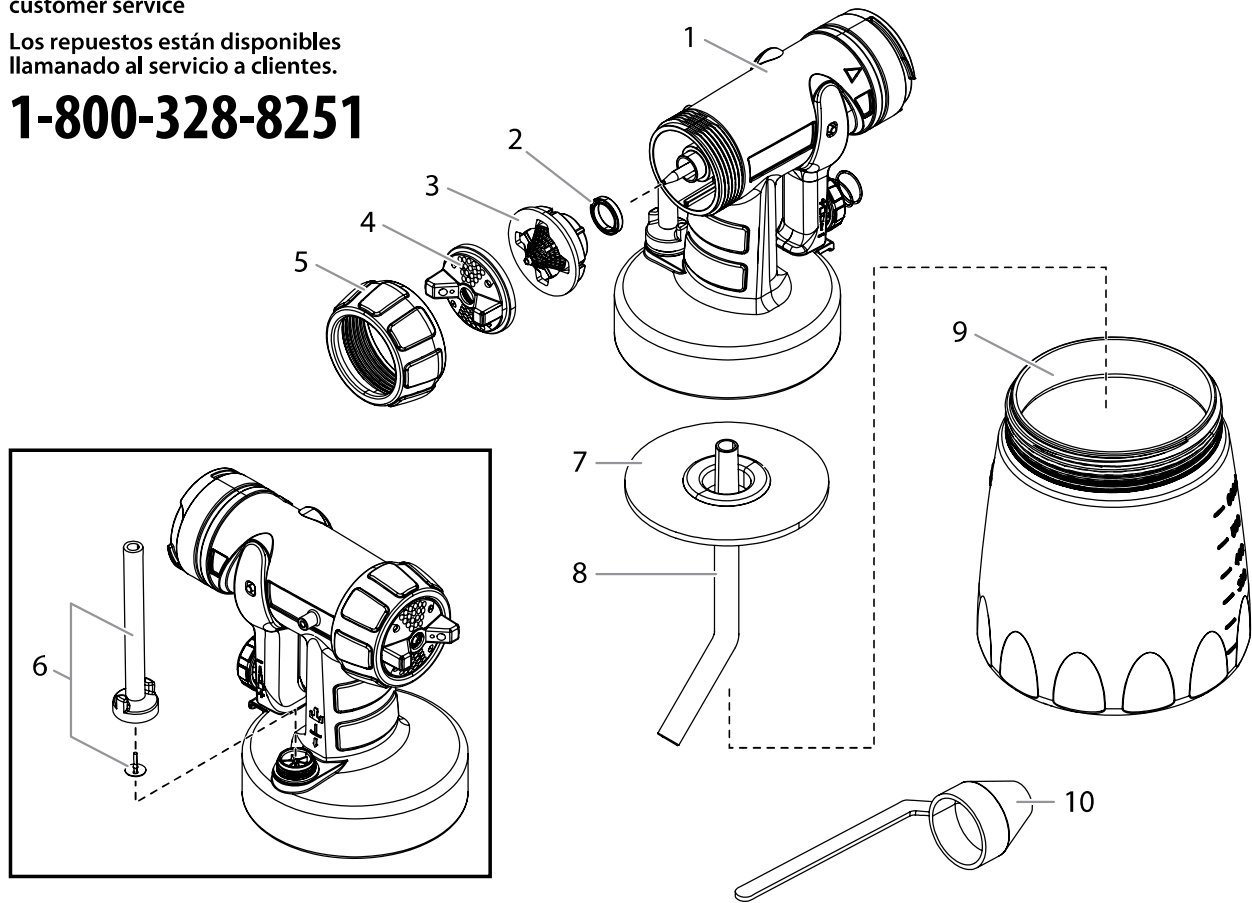
Parts List • Lista de piezas

Nozzle assembly • Conjunto del boquilla

Replacement parts available by calling customer service

Los repuestos están disponibles llamando al servicio a clientes.

1-800-328-8251



#	Part No. Pieza No.	English Description	Español Descripción	Qty. Cant.
1	0529013	Nozzle assembly (includes items 1-9)	Ensamblaje del boquilla (incluye los artículos 1-9)	1
2	0414353	Nozzle seal	Sello de boquilla	1
3	0414381	Nozzle	Boquilla	1
4	0414384	Air cap	Tapa de aire	1
5	0417319	Connecting nut	Tuerca de conexión	1
6	0529005	Tube / Valve seal	Tube / Junta de la válvula	1
7	0417358	Container seal	Sello de recipiente	1
8	0417357	Suction tube	Tubo de succión	1
9	0414313	Material container (600 ml)	Recipiente (600 ml)	1
10	0202303	Viscosity cup	Cubeta de viscosidad	1

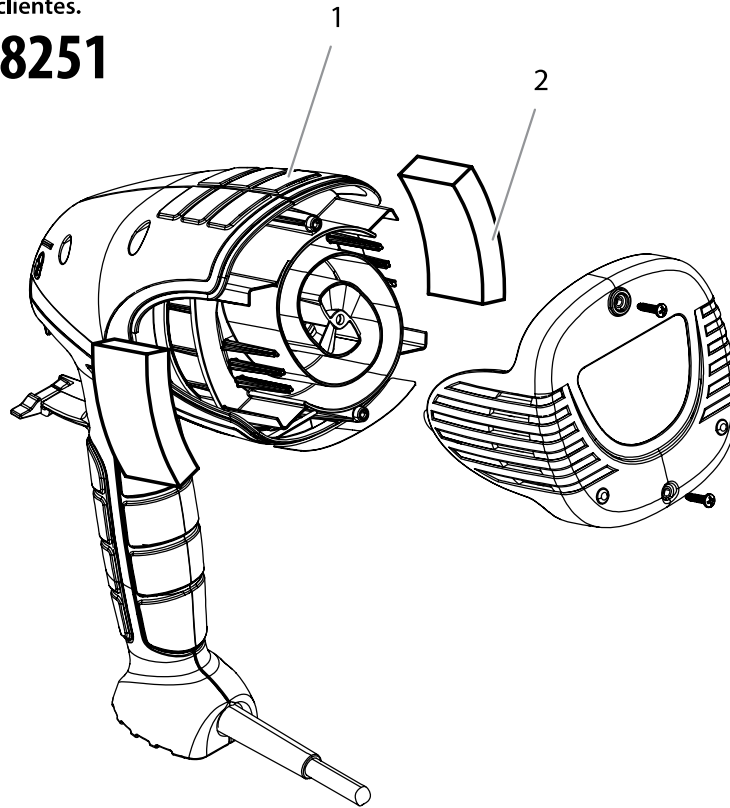
Parts List • Lista de piezas

Turbine • Turbina

Replacement parts available by calling customer service

Los repuestos están disponibles llamando al servicio a clientes.

1-800-328-8251



#	Part No. Pieza No.	English Description	Español Descripción	Qty. Cant.
1	-----	Turbine (includes item 2)	Turbina (incluye le articulo 2)	1
2	0417323	Filter	Filtro	2

Garantía limitada

Equipo de atomización de pintura HVLP

Este producto, fabricado por la Wagner Spray Tech Corporation (Wagner), está garantizado contra defectos de materiales y de mano de obra por un año a partir de la fecha de compra siempre y cuando se utilice de acuerdo con las recomendaciones e instrucciones impresas de Wagner. Esta garantía no cubre daños ocasionados por el uso incorrecto, accidentes, negligencia por parte del usuario o el desgaste normal. Esta garantía no cubre cualquier defecto o daño ocasionado por el servicio o las reparaciones llevadas a cabo fuera de un Centro de Servicio Wagner Autorizado.

CUALQUIER GARANTÍA IMPLÍCITA REFERENTE AL POTENCIAL COMERCIAL O ADAPTABILIDAD PARA UN USO PARTICULAR SE LIMITA A UN AÑO A PARTIR DE LA FECHA DE COMPRA. WAGNER EN NINGÚN CASO SERÁ RESPONSABLE DE CUALQUIER DAÑO DIRECTO O INDIRECTO DE CUALQUIER TIPO, YA SEA POR VIOLACIÓN DE ESTA GARANTÍA O CUALQUIER OTRA RAZÓN. ESTA GARANTÍA NO SE APLICA A LOS ACCESORIOS.

ESTE PRODUCTO ESTÁ DISEÑADO PARA SER UTILIZADO EN EL HOGAR ÚNICAMENTE. SI SE UTILIZA PARA PROPÓSITOS COMERCIALES O DE ALQUILER, ESTÁ GARANTÍA ES VÁLIDA ÚNICAMENTE DURANTE 30 DÍAS A PARTIR DE LA FECHA DE COMPRA.

Si cualquier producto está defectuoso con respecto a los materiales o mano de obra, regrese el producto con el recibo de compra a cualquier Centro de Servicio Wagner Autorizado (la lista de Centros de Servicio se adjunta con este producto). El Centro de Servicio Wagner Autorizado reparará o reemplazará el producto (a la discreción de Wagner) y se lo regresará porte pagado.

ALGUNOS ESTADOS, DEPARTAMENTOS O PROVINCIAS NO PERMITEN LIMITACIONES EN CUANTO AL PERÍODO DE VALIDEZ DE UNA GARANTÍA IMPLÍCITA NI LA EXCLUSIÓN DE DAÑOS DIRECTOS O INDIRECTOS. POR LA TANTO, LA LIMITACIÓN Y LA EXCLUSIÓN ANTERIOR PUEDEN NO APLICARSE A USTED.

ESTA GARANTÍA LE OTORGA DERECHOS LEGALES ESPECÍFICOS Y USTED TAMBIÉN PUEDE TENER OTROS DERECHOS QUE VARIAN DE UNA LOCALIDAD A OTRA.

¿Preguntas?

Llame al servicio técnico de Wagner al:

1-800-328-8251

Consulte la sección "Contact Us"
(Comuníquese con nosotros) en www.wagnerspraytech.com para conocer los horarios del Servicio Técnico.

Registro del producto

Registre su producto hoy en:

www.wagnerspraytech.com/registration

Valoramos su opinión. Para completar la evaluación, visite:

www.wagnerspraytech.com/reviews

Limited Warranty

HVLP paint spray equipment

This product, manufactured by Wagner Spray Tech Corporation (Wagner), is warranted against defects in material and workmanship for one year following date of purchase if operated in accordance with Wagner's printed recommendations and instructions. This warranty does not cover damage resulting from improper use, accidents, user's negligence or normal wear. This warranty does not cover any defects or damages caused by service or repair performed by anyone other than a Wagner Authorized Service Center.

ANY IMPLIED WARRANTY OF MERCHANTABILITY OR FITNESS FOR A PARTICULAR PURPOSE IS LIMITED TO one year FOLLOWING DATE OF PURCHASE. WAGNER SHALL NOT IN ANY EVENT BE LIABLE FOR ANY INCIDENTAL OR CONSEQUENTIAL DAMAGES OF ANY KIND, WHETHER FOR BREACH OF THIS WARRANTY OR ANY OTHER REASON. THIS WARRANTY DOES NOT APPLY TO ACCESSORIES.

THIS PRODUCT IS DESIGNED FOR HOME USAGE ONLY. IF USED FOR COMMERCIAL OR RENTAL PURPOSES, THIS WARRANTY APPLIES ONLY FOR 30 DAYS FROM DATE OF PURCHASE.

If any product is defective in material and/or workmanship during the applicable warranty period, return it with proof of purchase, transportation prepaid to any Wagner Authorized Service Center. (Service Center listing is enclosed with this product.) Wagner's Authorized Service Center will either repair or replace the product (at Wagner's option) and return it to you, postage prepaid.

SOME STATES DO NOT ALLOW LIMITATIONS ON HOW LONG AN IMPLIED WARRANTY LASTS OR THE EXCLUSION OF INCIDENTAL OR CONSEQUENTIAL DAMAGES, SO THE ABOVE LIMITATION AND EXCLUSION MAY NOT APPLY TO YOU. THIS WARRANTY GIVES YOU SPECIFIC LEGAL RIGHTS, AND YOU MAY ALSO HAVE OTHER RIGHTS WHICH VARY FROM STATE TO STATE.

Questions?

Call Wagner Technical Service at:

1-800-328-8251

See www.wagnerspraytech.com in the "Contact Us" section for Technical Service hours.

Product Registration

In order to register your product today, visit:

www.wagnerspraytech.com/registration

We value your opinion. To complete your review, please visit:

www.wagnerspraytech.com/reviews