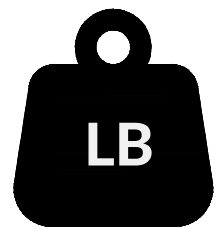
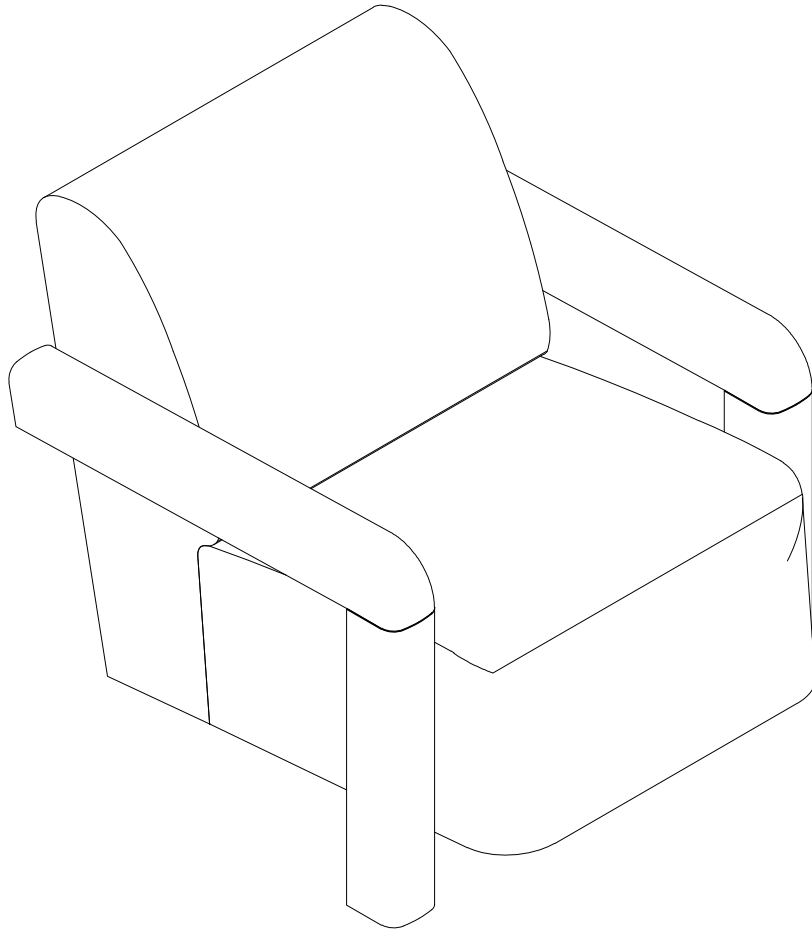


# Owner Manual



Per Seat Weight Limitation

**300 LBS**

**NOTE:**

This brochure contains  
**IMPORTANT** safety info.  
Please read and keep it  
for future reference.

# MAINTENANCE AND WARNINGS



## Before You Start

***Please follow the steps below:***




- ⚠ Un box the package and check if all parts and accessories are complete.**
- ⚠ Place the parts of the sofa on a flat surface.**
- ⚠ Ensure the sofa is placed on a stable, flat surface to prevent it from tilting.**
- ⚠ Avoid placing sharp or heavy objects directly on the sofa to prevent tears or deformation.**
- ⚠ Follow the assembly instructions provided to attach the cushions, backrest, and armrests securely.**
- ⚠ Clean the installation area in advance and ensure the ground is level and there is enough space to avoid damaging the furniture or making installation difficult.**
- ⚠ Lay a protective mat on the ground to prevent scratching the floor during installation.**

### ***After-Sales Service***

- If you encounter any issues or need technical support during use, please contact our after-sales team. We offer long-term maintenance and warranty services.**





## Precautions

-  This sofa is for indoor use only. Do not expose it to outdoor elements or high-humidity environments.
-  Keep the sofa away from high heat or open flames to prevent fire hazards.
-  Do not allow children or pets to play on the sofa unsupervised to avoid accidents.



## Safety Warnings

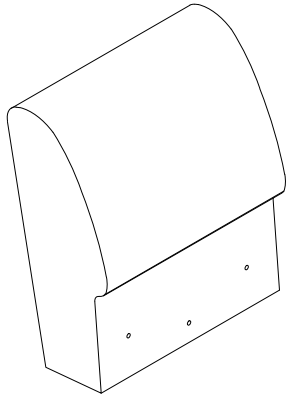
-  If you notice any loose or damaged parts, stop using the sofa immediately and contact customer service.
-  Do not attempt to disassemble or replace any components yourself, as this may affect the stability and safety of the product.

### ***Daily Maintenance***

- Regularly clean the surface of the sofa with a soft cloth to prevent dust accumulation.
- For fabric sofas, it is recommended to vacuum weekly and clean the fabrics as needed.
- For leather sofas, use a leather cleaner regularly to clean and maintain the material. Avoid direct sunlight to prevent leather aging.
- In case of spills, immediately blot the area with a clean, dry cloth

# Parts List

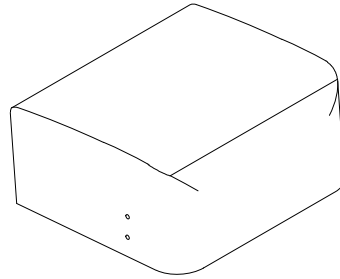
A



x1

Back frame

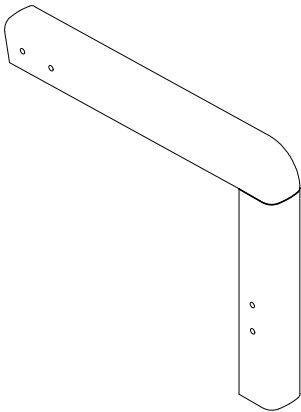
B



x1

Seat frame

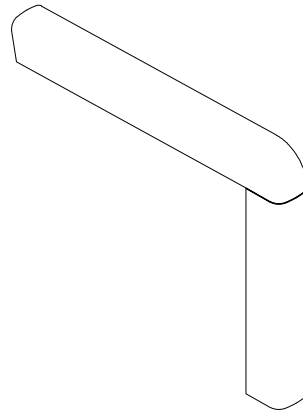
C



x1

Right Legs

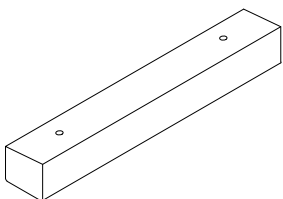
D



x1

Left Legs

E



x1

Back Legs



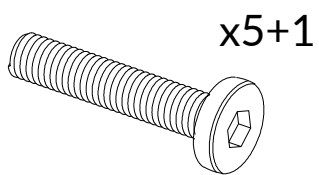
Installation:  
20minutes.



One Person

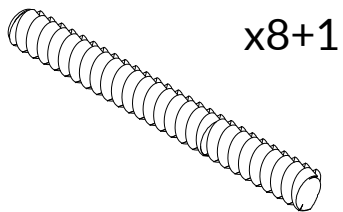
# Hardware List

1



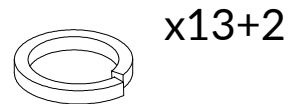
D5\16"xL2-3\8"

2



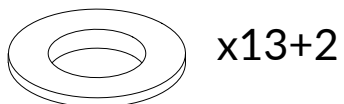
D5\16"xL2-3\4"

3



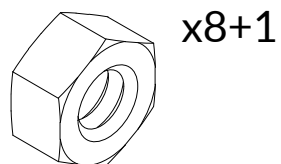
D5\16"

4



D5\16"

5



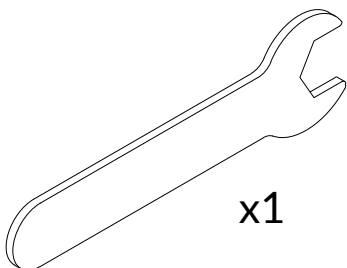
D5\16"

6



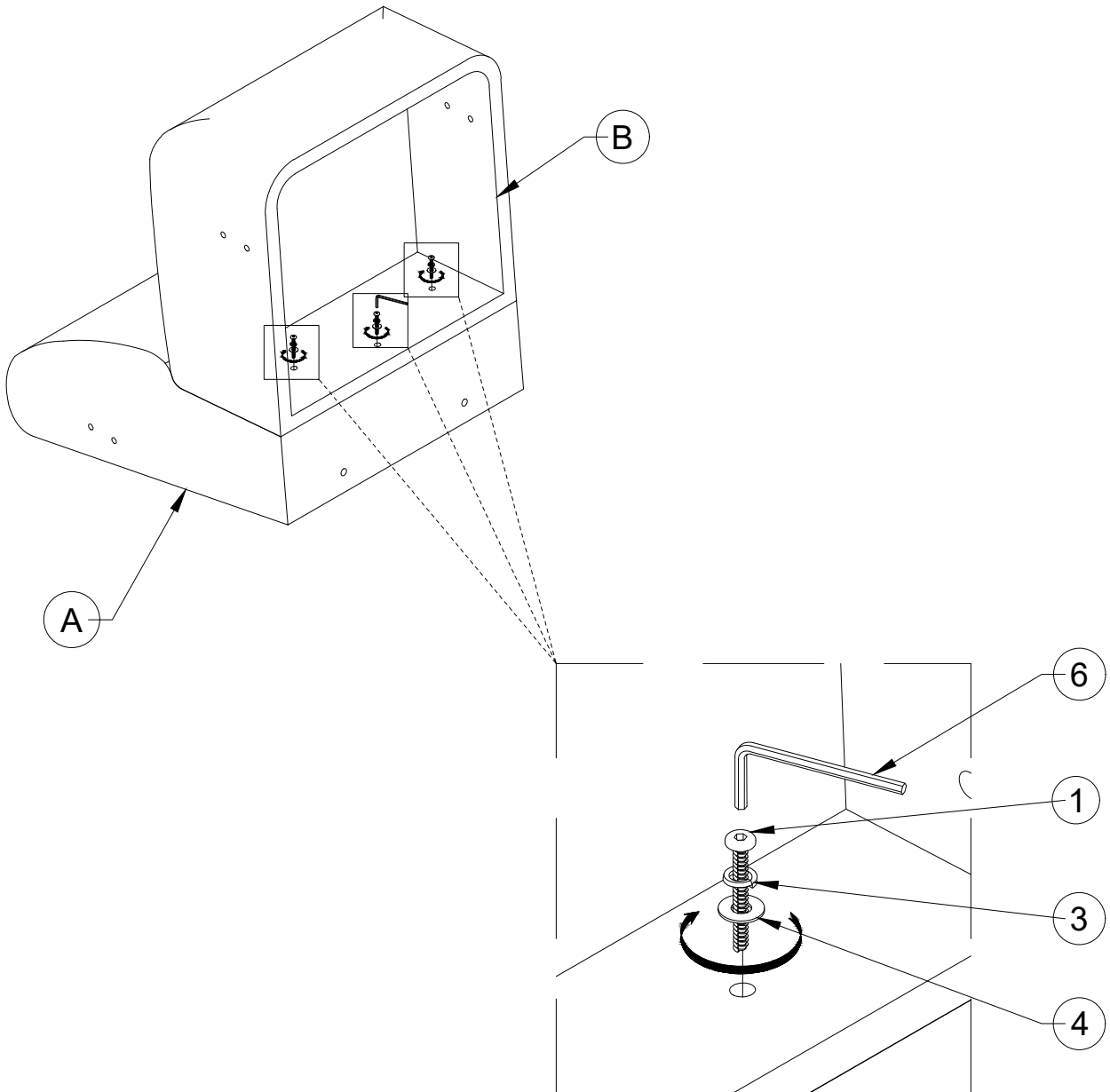
Allen Key M4

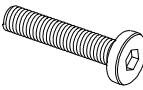



7



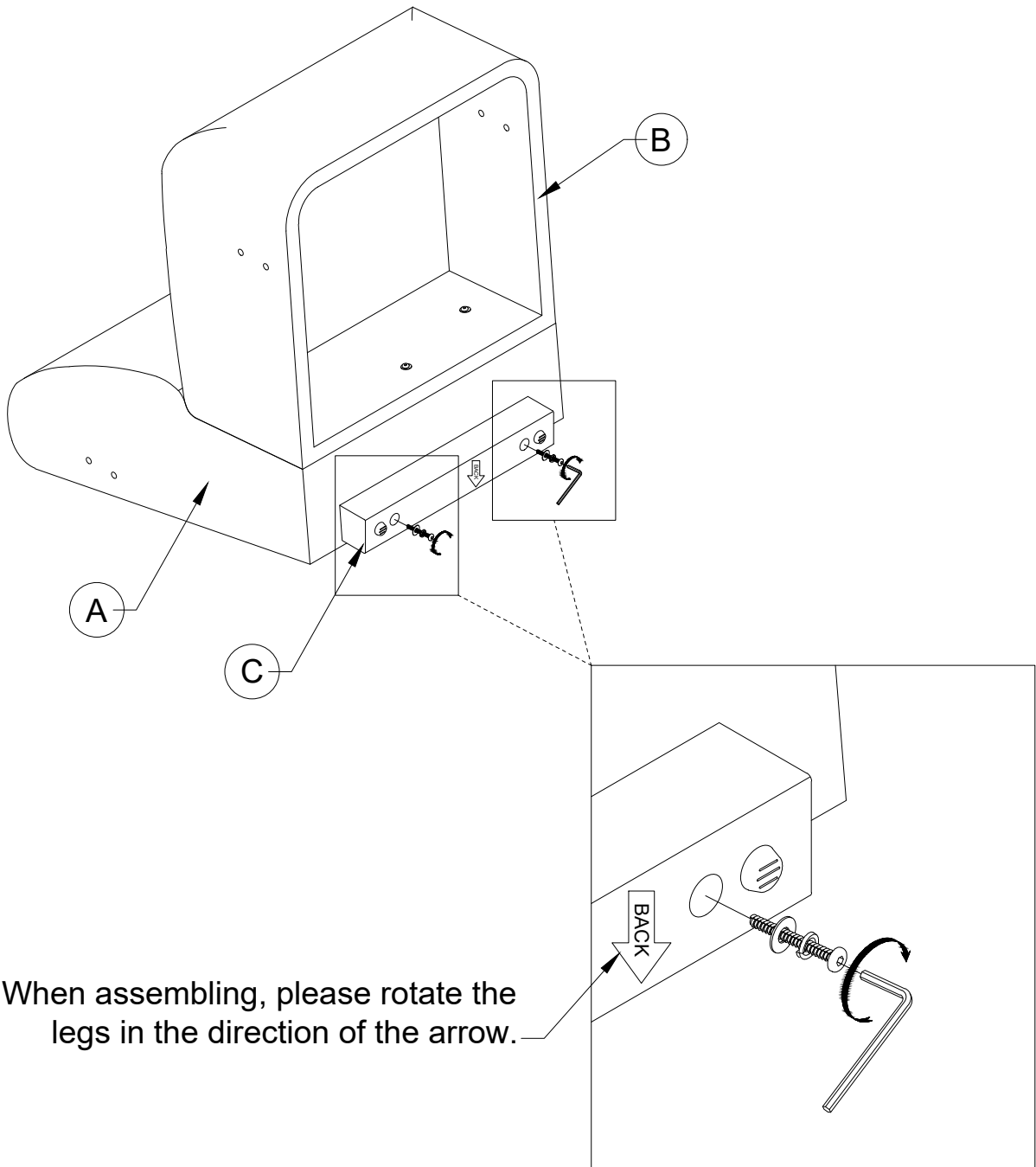
Wrench 12mm

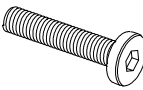



# Step 1



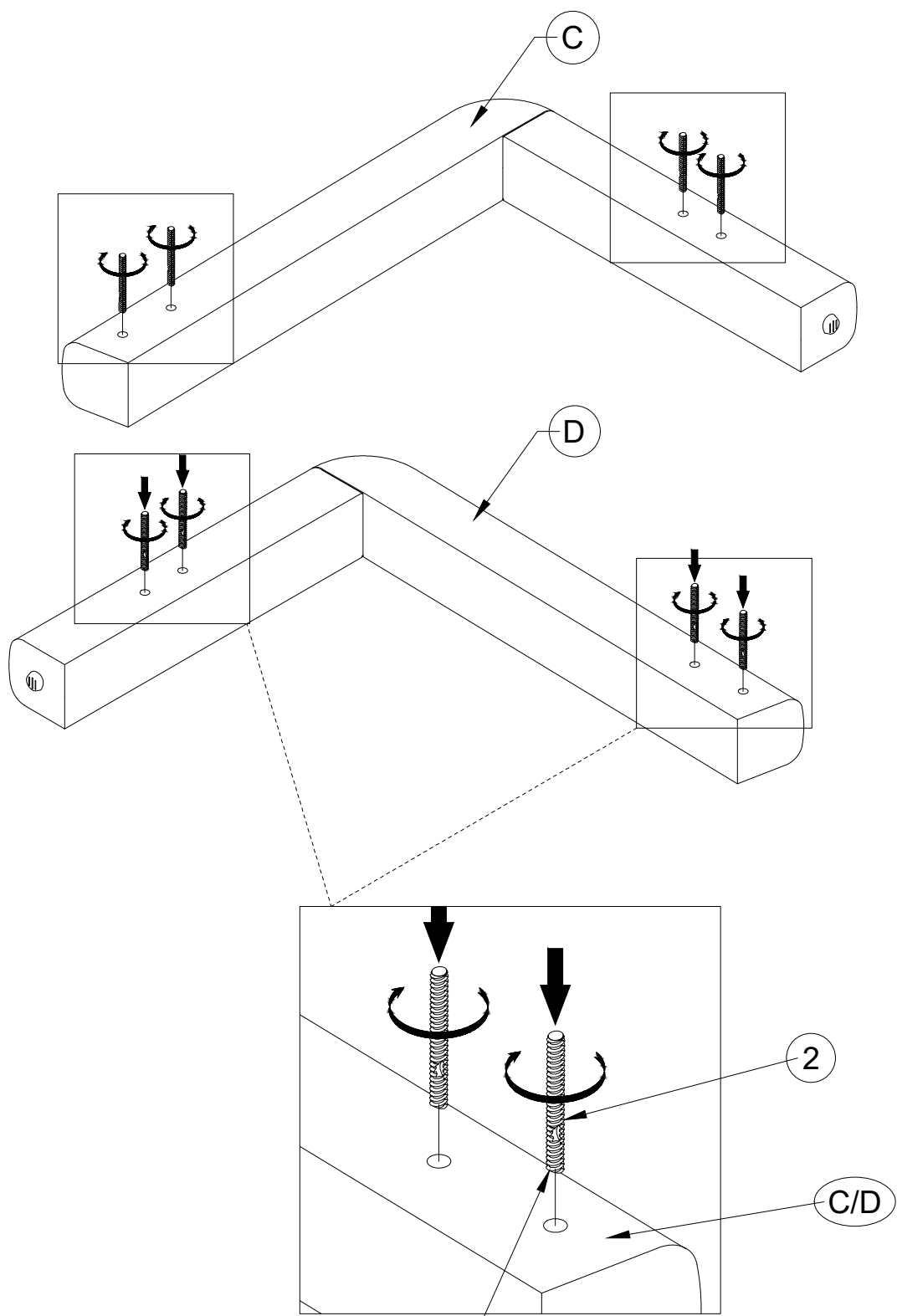
| 1   | x3 | 3   | x3 | 4   | x3 | 6   | x1 |
|---|----|---|----|---|----|---|----|
|  |    |  |    |  |    |  |    |
| D5\16"xL2-3\8"  |    | D5\16"  |    | D5\16"  |    | Allen Key M4  |    |

## Step 2



|   |    |   |    |   |    |   |    |
|---|----|---|----|---|----|---|----|
| <b>1</b>  | x2 | <b>3</b>  | x2 | <b>4</b>  | x2 | <b>6</b>  | x1 |
|  |    |  |    |  |    |  |    |
| D5\16"xL2-3\8"  |    | D5\16"  |    | D5\16"  |    | Allen Key M4  |    |

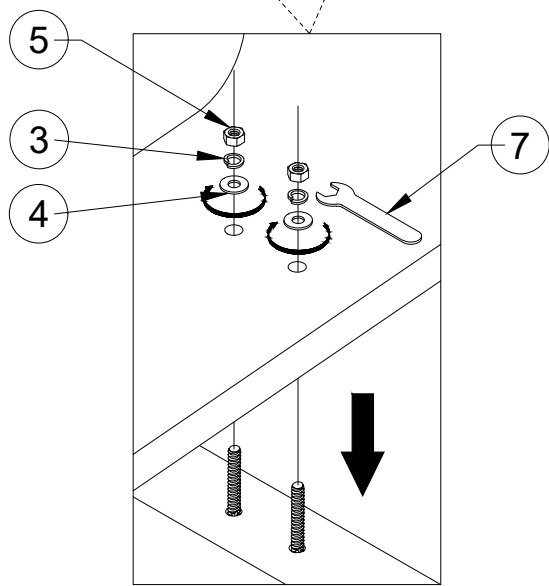
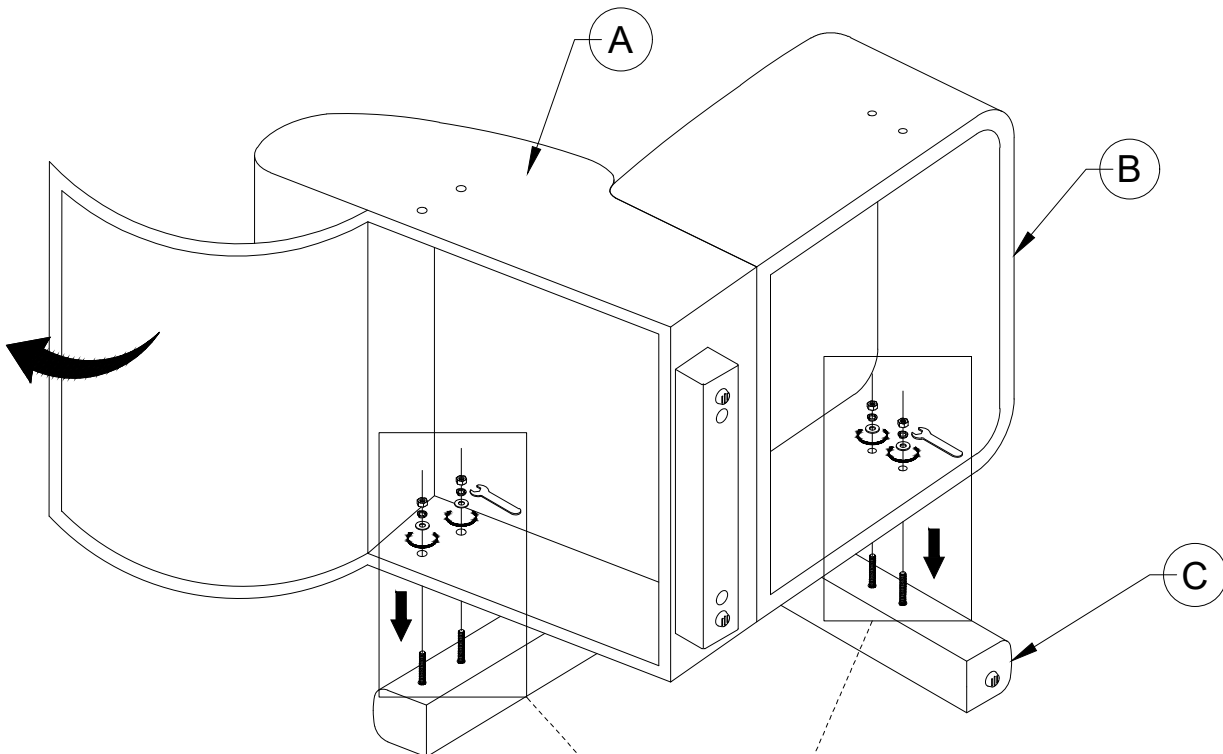
# Step 3


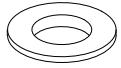
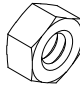



Turn the bolt with the closest score point toward the leg of chair.

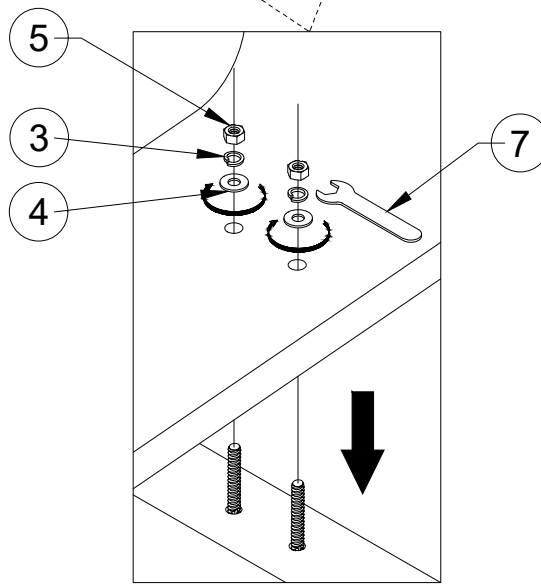
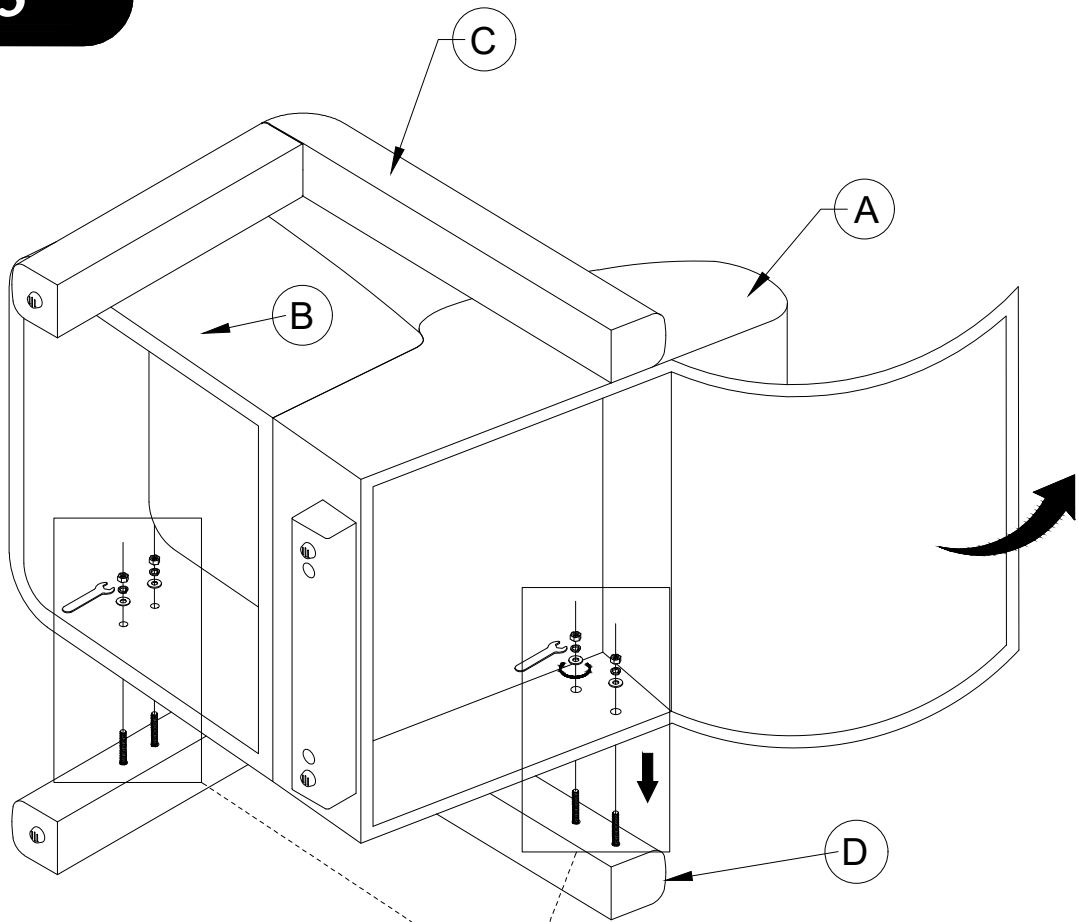
|                |    |
|----------------|----|
| <b>2</b>       | x8 |
|                |    |
| D5\16"xL2-3\4" |    |


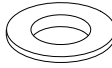
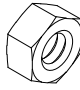

# Step 4



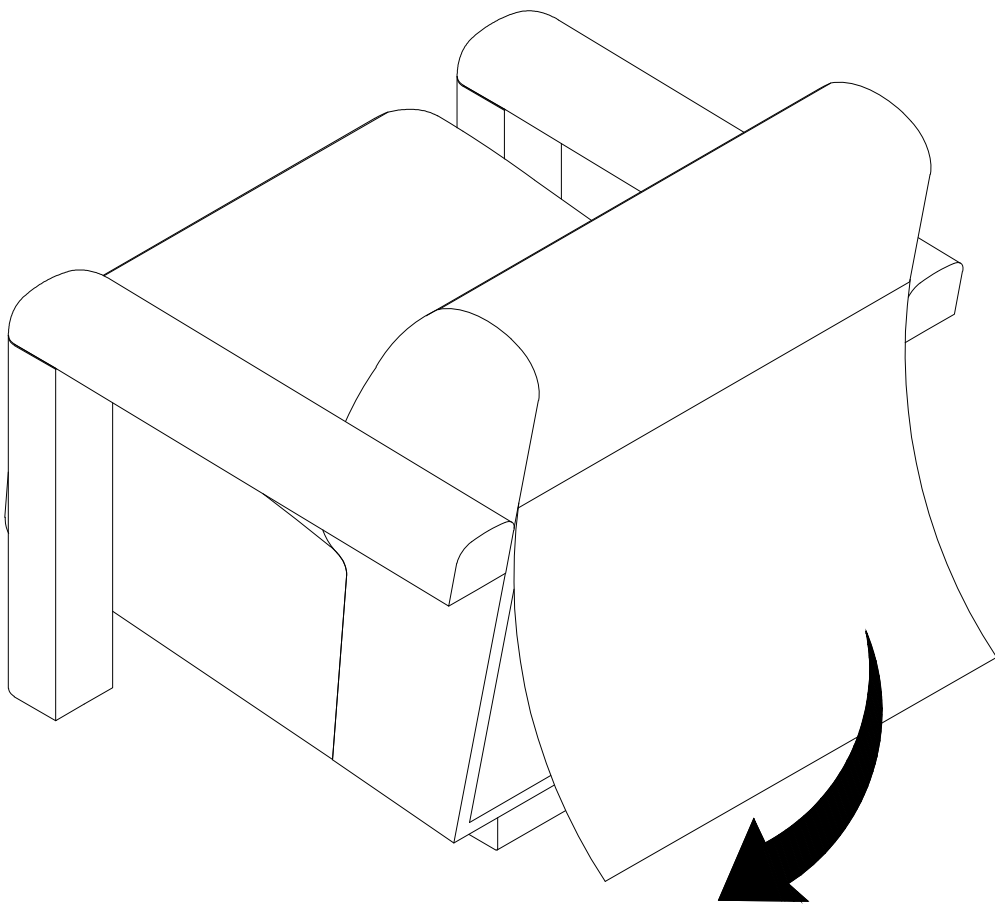
|   |    |  |    |   |    |   |    |
|---|----|--|----|---|----|---|----|
| <b>3</b>  | x4 | <b>4</b>   | x4 | <b>5</b>  | x4 | <b>7</b>  | x1 |
|  |    |  |    |  |    |  |    |
| D5\16"  |    | D5\16"   |    | Nut 12mm  |    | Wrench  |    |

# Step 5



| 3   | x4 | 4  | x4 | 5   | x4 | 7   | x1 |
|---|----|--|----|---|----|---|----|
|  |    |  |    |  |    |  |    |
| D5\16"  |    | D5\16"   |    | Nut 12mm  |    | Wrench  |    |

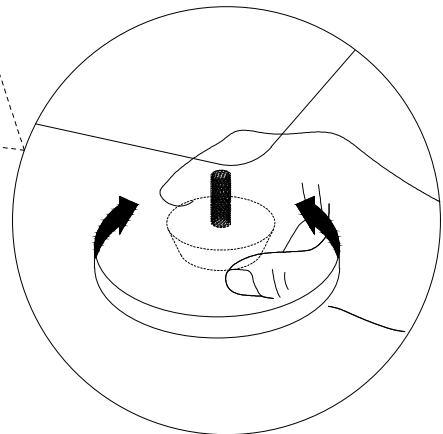
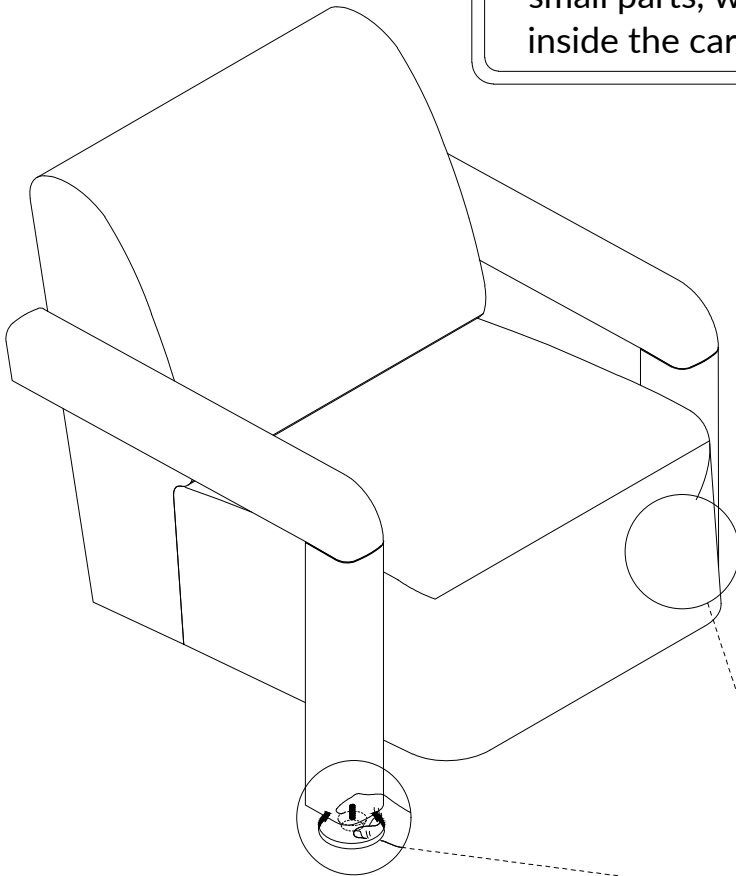
**Step 6**



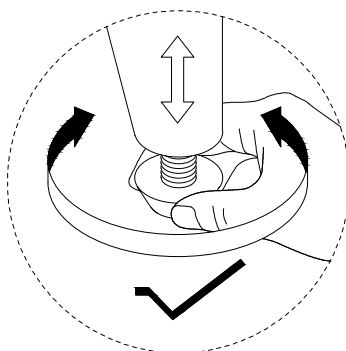
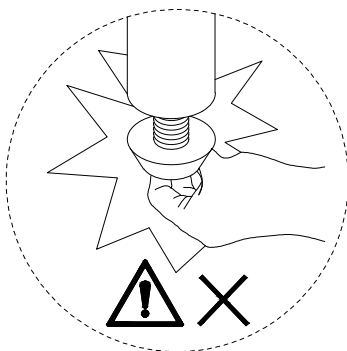
## Step 7



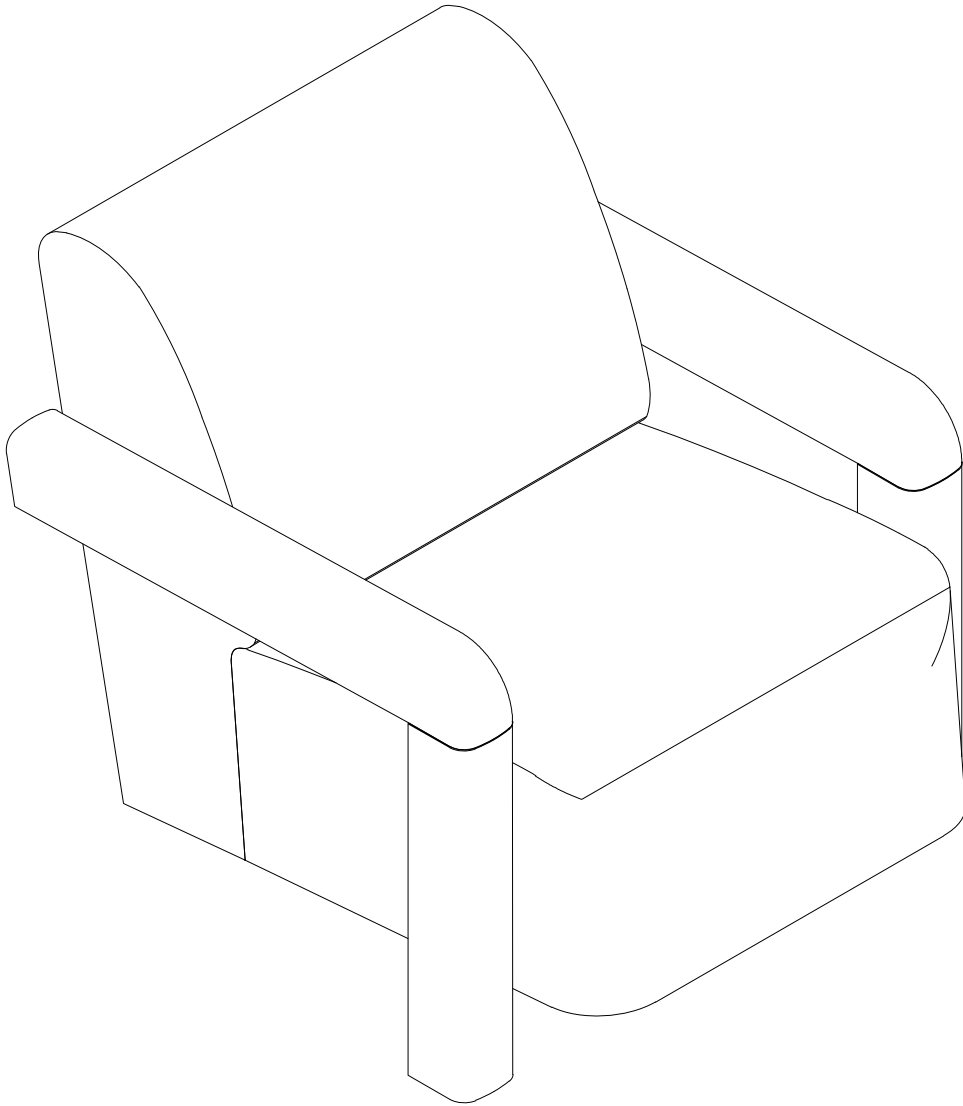
After installation, adjust the adjustable leveler to keep the chair balanced .  
Be sure to check all packing material for small parts, which may have come loose inside the carton during shipment.



Adjust leveler



**Step 8**



Assembly completed.

# WARRANTY

- **We strive to offer quality products, and we also try our best to satisfy every customer who orders from us with products or services as needed.**
- **We provide 30 days warranty starting from the time you receive the item. Each customer must provide a record of their orders such as the order number, or item receipt for any items that are out of the warranty period you may also still receive.**
- **Replacement parts by purchasing them from our company if they are available.**
- **For return, please check the return policy with the retailer or market place you bought from**