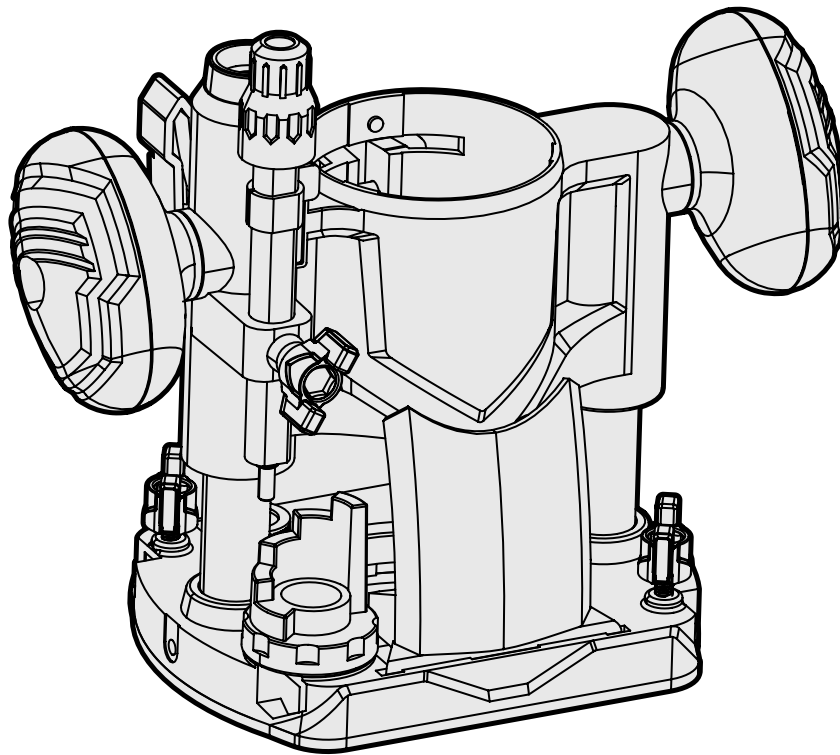




MODEL 20610-PB

PLUNGE BASE KIT

Instruction Manual



NEED HELP? CONTACT US!

Have product questions? Need technical support? Please feel free to contact us:



1-847-429-9263 (M-F 8AM-5PM CST)



TECHSUPPORT@WENPRODUCTS.COM

IMPORTANT: Your new tool has been engineered and manufactured to WEN's highest standards for dependability, ease of operation, and operator safety. When properly cared for, this product will supply you years of rugged, trouble-free performance. Pay close attention to the rules for safe operation, warnings, and cautions. If you use your tool properly and for its intended purpose, you will enjoy years of safe, reliable service.

For replacement parts and the most up-to-date instruction manuals, visit ***WENPRODUCTS.COM***

CONTENTS

WELCOME	3
Introduction	3
Specifications.....	3
SAFETY	4
General Safety Rules.....	4
BEFORE OPERATING	6
Unpacking & Packing List	6
Know Your Plunge Base	7
Assembly & Adjustment.....	8
OPERATION & MAINTENANCE	11
Maintenance.....	11
Router Bits.....	12
Warranty Statement	13


To purchase accessories and replacement parts for your tool, visit ***WENPRODUCTS.COM***

1-3/16-inch Standard Router Template and Guide Bushing Set (Model RT011A)

See page 12 for the complete WEN router bit lineup

INTRODUCTION

Thanks for purchasing the WEN Plunge Base Kit. We know you are excited to put your tool to work, but first, please take a moment to read through the manual. Safe operation of this tool requires that you read and understand this operator's manual and all the labels affixed to the tool. This manual provides information regarding potential safety concerns, as well as helpful assembly and operating instructions for your tool.

 Indicates danger, warning, or caution. The safety symbols and the explanations with them deserve your careful attention and understanding. Always follow the safety precautions to reduce the risk of fire, electric shock or personal injury. However, please note that these instructions and warnings are not substitutes for proper accident prevention measures.

NOTE: The following safety information is not meant to cover all possible conditions and situations that may occur. WEN reserves the right to change this product and specifications at any time without prior notice.


At WEN, we are continuously improving our products. If you find that your tool does not exactly match this manual, please visit wenproducts.com for the most up-to-date manual or contact our customer service at **1-800-232-1195**.

Keep this manual available to all users during the entire life of the tool and review it frequently to maximize safety for both yourself and others.

SPECIFICATIONS

Model Number	20610-PB
Dust Chute Diameter	1-9/16 in. (39.6mm)
Product Weight	2.60 lbs
Product Dimensions	9.27 in. L x 4.6 in. W x 7.09 in. H

GENERAL SAFETY RULES

 **WARNING!** Read all safety warnings and all instructions. Failure to follow the warnings and instructions may result in electric shock, fire and/or serious injury.

Safety is a combination of common sense, staying alert and knowing how your item works. The term “power tool” in the warnings refers to your mains-operated (corded) power tool or battery-operated (cordless) power tool.

SAVE THESE SAFETY INSTRUCTIONS.

WORK AREA SAFETY

- 1. Keep work area clean and well lit.** Cluttered or dark areas invite accidents.
- 2. Do not operate power tools in explosive atmospheres, such as in the presence of flammable liquids, gases or dust.** Power tools create sparks which may ignite the dust or fumes.
- 3. Keep children and bystanders away while operating a power tool.** Distractions can cause you to lose control.

ELECTRICAL SAFETY


- 1. Power tool plugs must match the outlet. Never modify the plug in any way. Do not use any adapter plugs with earthed (grounded) power tools.** Unmodified plugs and matching outlets will reduce risk of electric shock.
- 2. Avoid body contact with earthed or grounded surfaces such as pipes, radiators, ranges and refrigerators.** There is an increased risk of electric shock if your body is earthed or grounded.
- 3. Do not expose power tools to rain or wet conditions.** Water entering a power tool will increase the risk of electric shock.
- 4. Do not abuse the cord. Never use the cord for carrying, pulling or unplugging the power tool. Keep cord away from heat, oil, sharp edges or moving parts.** Damaged or entangled cords increase the risk of electric shock.
- 5. When operating a power tool outdoors, use an extension cord suitable for outdoor use.** Use of a cord suitable for outdoor use reduces the risk of electric shock.

6. If operating a power tool in a damp location is unavoidable, use a ground fault circuit interrupter (GFCI) protected supply. Use of a GFCI reduces the risk of electric shock.

PERSONAL SAFETY

- 1. Stay alert, watch what you are doing and use common sense when operating a power tool. Do not use a power tool while you are tired or under the influence of drugs, alcohol or medication.** A moment of inattention while operating power tools may result in serious personal injury.
- 2. Use personal protective equipment. Always wear eye protection.** Protective equipment such as a respiratory mask, non-skid safety shoes and hearing protection used for appropriate conditions will reduce the risk of personal injury.
- 3. Prevent unintentional starting. Ensure the switch is in the off-position before connecting to power source and/or battery pack, picking up or carrying the tool.** Carrying power tools with your finger on the switch or energizing power tools that have the switch on invites accidents.
- 4. Remove any adjusting key or wrench before turning the power tool on.** A wrench or a key left attached to a rotating part of the power tool may result in personal injury.
- 5. Do not overreach. Keep proper footing and balance at all times.** This enables better control of the power tool in unexpected situations.
- 6. Dress properly. Do not wear loose clothing or jewelry. Keep your hair and clothing away from moving parts.** Loose clothes, jewelry or long hair can be caught in moving parts.

GENERAL SAFETY RULES

 **WARNING!** Read all safety warnings and all instructions. Failure to follow the warnings and instructions may result in electric shock, fire and/or serious injury.

Safety is a combination of common sense, staying alert and knowing how your item works. The term “power tool” in the warnings refers to your mains-operated (corded) power tool or battery-operated (cordless) power tool.

SAVE THESE SAFETY INSTRUCTIONS.

7. If devices are provided for the connection of dust extraction and collection facilities, ensure these are connected and properly used. Use of dust collection can reduce dust-related hazards.

POWER TOOL USE AND CARE

1. Do not force the power tool. Use the correct power tool for your application. The correct power tool will do the job better and safer at the rate for which it was designed.

2. Do not use the power tool if the switch does not turn it on and off. Any power tool that cannot be controlled with the switch is dangerous and must be repaired.

3. Disconnect the plug from the power source and/or the battery pack from the power tool before making any adjustments, changing accessories, or storing power tools. Such preventive safety measures reduce the risk of starting the power tool accidentally.

4. Store idle power tools out of the reach of children and do not allow persons unfamiliar with the power tool or these instructions to operate the power tool. Power tools are dangerous in the hands of untrained users.

5. Maintain power tools. Check for misalignment or binding of moving parts, breakage of parts and any other condition that may affect the power tool’s operation. If damaged, have the power tool repaired before use. Many accidents are caused by poorly maintained power tools.

6. Keep cutting tools sharp and clean. Properly maintained cutting tools with sharp cutting edges are less likely to bind and are easier to control.

7. Use the power tool, accessories and tool bits, etc. in accordance with these instructions, taking into account the working conditions and the work to be performed. Use of the power tool for operations different from those intended could result in a hazardous situation.

8. Use clamps to secure your workpiece to a stable surface. Holding a workpiece by hand or using your body to support it may lead to loss of control.

9. KEEP GUARDS IN PLACE and in working order.

SERVICE

1. Have your power tool serviced by a qualified repair person using only identical replacement parts. This will ensure that the safety of the power tool is maintained.

CALIFORNIA PROPOSITION 65 WARNING

Some dust created by power sanding, sawing, grinding, drilling, and other construction activities may contain chemicals, including lead, known to the State of California to cause cancer, birth defects, or other reproductive harm. Wash hands after handling. Some examples of these chemicals are:

- Lead from lead-based paints.
- Crystalline silica from bricks, cement, and other masonry products.
- Arsenic and chromium from chemically treated lumber.

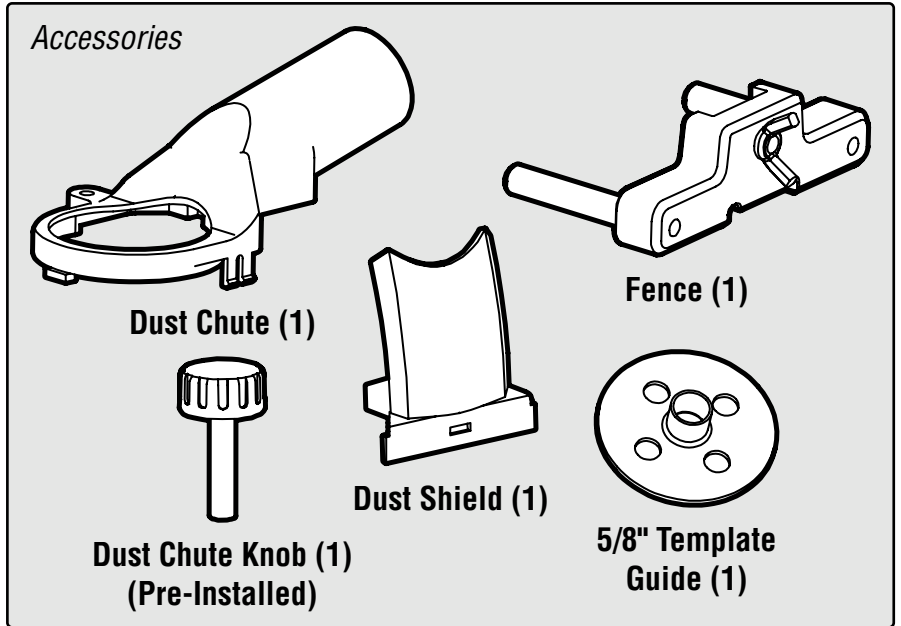
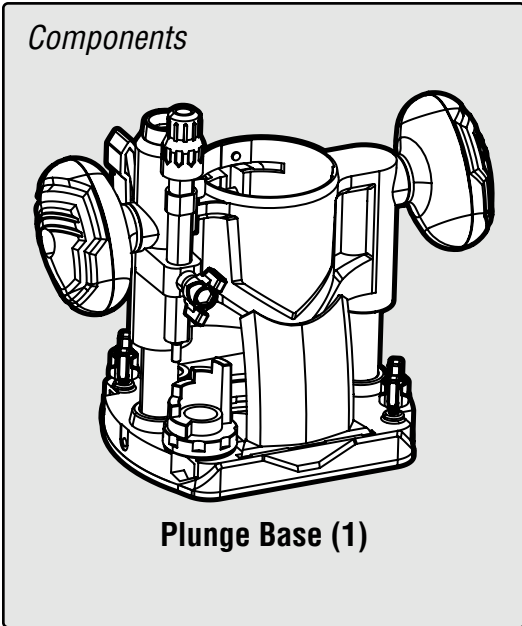
Your risk from these exposures varies depending on how often you do this type of work. To reduce your exposure to these chemicals, work in a well-ventilated area with approved safety equipment such as dust masks specially designed to filter out microscopic particles.

UNPACKING & PACKING LIST

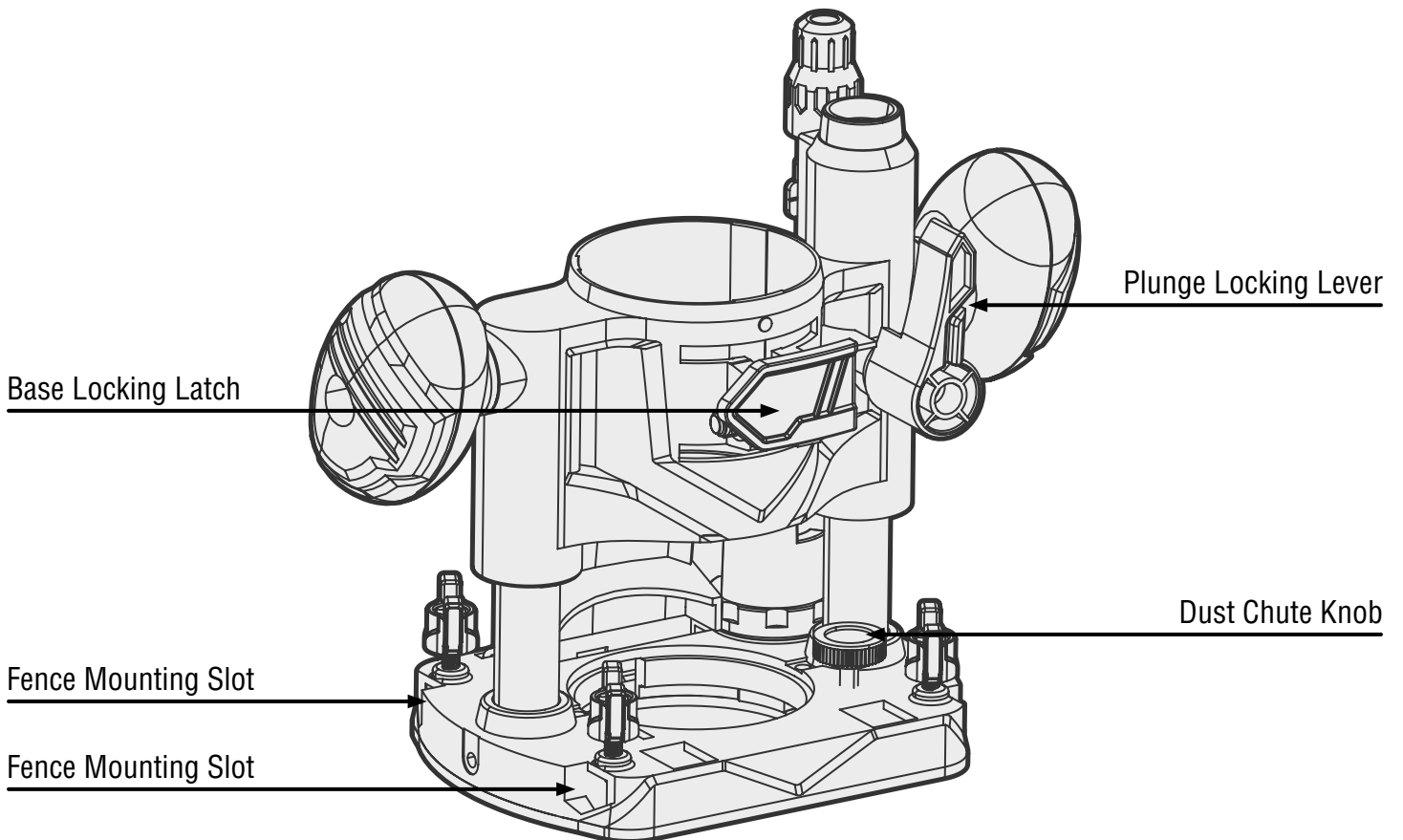
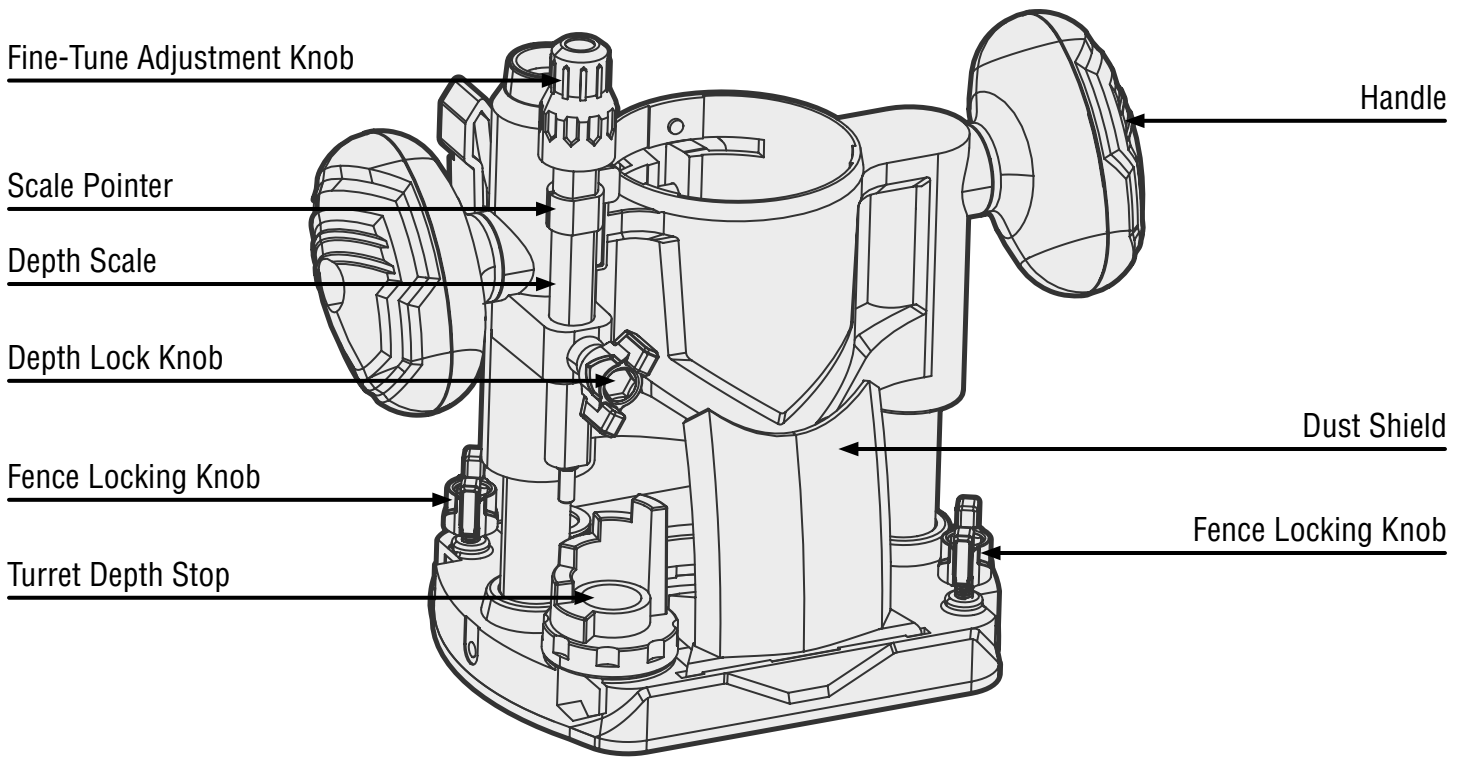
PLUNGE BASE KIT (NOT INCLUDED)

WEN offers a compatible plunge base kit (**model 20610-PB**) available for purchase at wenproducts.com. Refer to the following instructions for how to install and operate the plunge base kit.

PACKING LIST



KNOW YOUR PLUNGE BASE



ASSEMBLY & ADJUSTMENTS

INSTALLING THE ROUTER

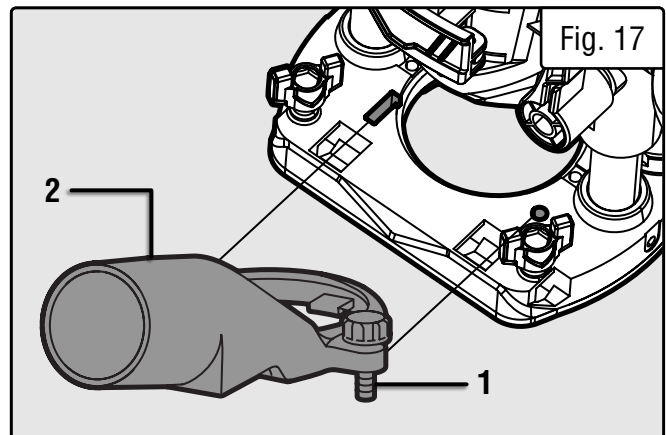
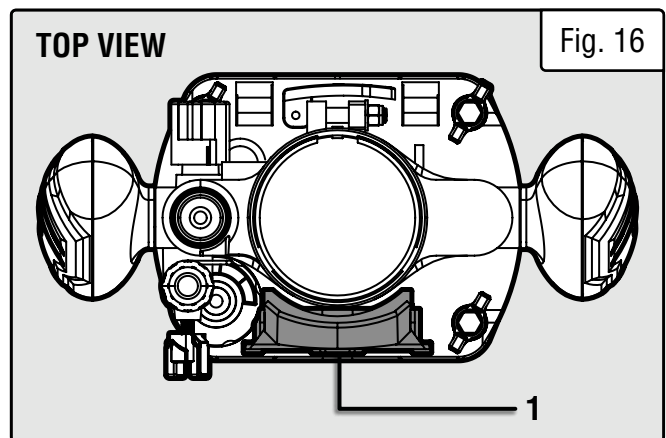
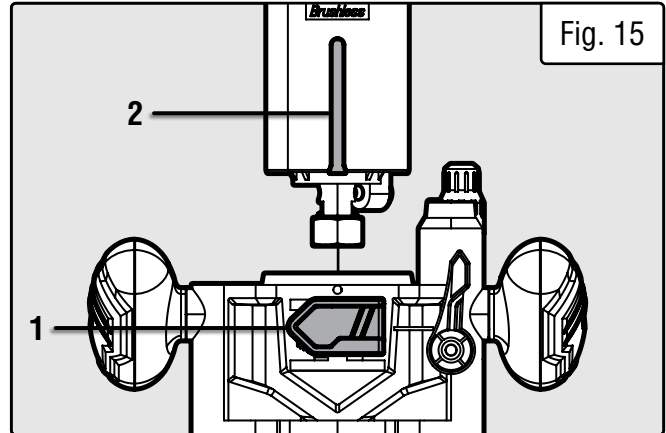
1. Open the base locking latch (Fig. 15 - 1).
1. Slide the router into the plunge base, ensuring that the notch in the plunge base slides into the slot (Fig. 15 - 2) on the back of the router body.
2. Close the base locking latch to secure the plunge base to the router.

INSTALLING THE DUST SHIELD (OPTIONAL)

1. Fit the dust shield (Fig. 16 - 1) into the slots on the front of the plunge base as shown in Fig. 16.

INSTALLING THE DUST CHUTE

1. Remove the pre-installed dust chute knob (Fig. 17 - 1) from the plunge base.
2. Fit the dust chute (Fig. 17 - 2) into the slot on the back of the plunge base and re-install the dust chute knob through the dust chute to secure the dust chute in place.



ASSEMBLY & ADJUSTMENTS

SETTING THE CUTTING DEPTH

1. The cutting depth of the router is indicated by the distance between the bottom of the depth scale and the turret depth stop. The turret depth stop (Fig. 18 - 1) has 6 positions, each at an increment of 1/4 inch. Rotate the turret depth stop to adjust the height of the stop face.

2. Install the desired router bit.

3. Place the router on a flat surface. Loosen the depth lock knob (Fig. 18 - 2) and raise or lower the depth scale (Fig. 18 - 3) manually.

4. Use the fine-tune adjustment knob (Fig. 18 - 4) to raise or lower the depth scale 0.1mm (0.004 in.) per marking or 1mm (1/32 in.) per full rotation of the knob (10 markings). Refer to the chart below for the fine-tune adjustment knob intervals:

Fine-Tune Adjustment Knob Intervals	
Metric marking (mm)	Imperial marking (in.)
0mm	0 in.
0.2mm	0.008 in.
0.4mm	0.016 in.
0.6mm	0.024 in.
0.8mm	0.032 in.

5. Loosen the plunge lock lever (Fig. 19 - 1) and lower the router's body until the bit is barely touching the workpiece surface. Tighten the plunge lock lever.

6. Bring down the depth scale until the bottom of the pole touches the turret depth stop.

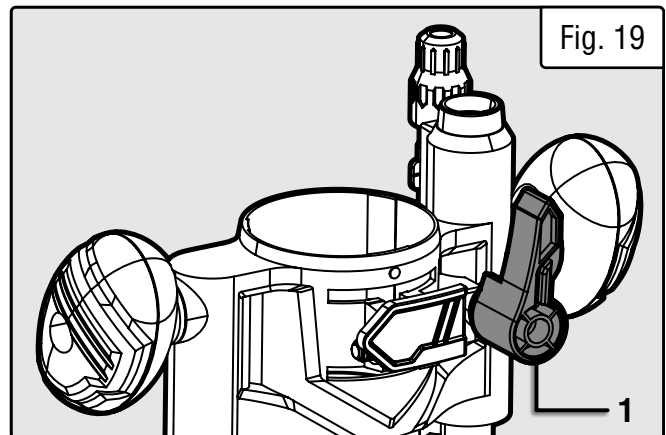
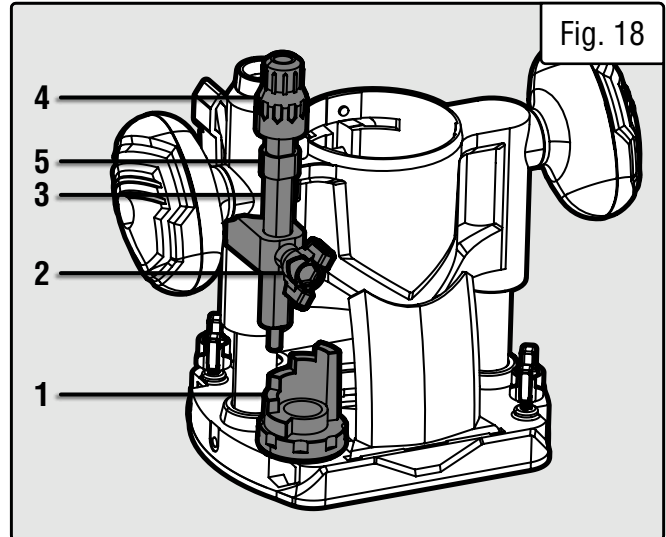
7. Make note of this initial scale reading on the depth scale indicated by the scale pointer (Fig. 18 - 5).

8. Unlock the plunge locking lever and bring up the router body.

9. For example, if your desired depth of cut is 1 inch and the initial scale reading is 2 inches, set the depth scale to be 3 inches at the pointer ($1 + 2 = 3$). Tighten the depth lock knob to lock the pole in place.

10. Alternatively, the cutting depth can be set visually by placing the router at the edge of the workpiece and plunging the bottom of the bit to the desired depth. Tighten the plunge lock lever at this desired depth. Bring down the depth stop pole until it touches the stop turret and lock it in place with the depth lock knob. Finally, unlock the plunge lock lever.

11. Use the fine-tune adjustment knob to make minor adjustments if needed.

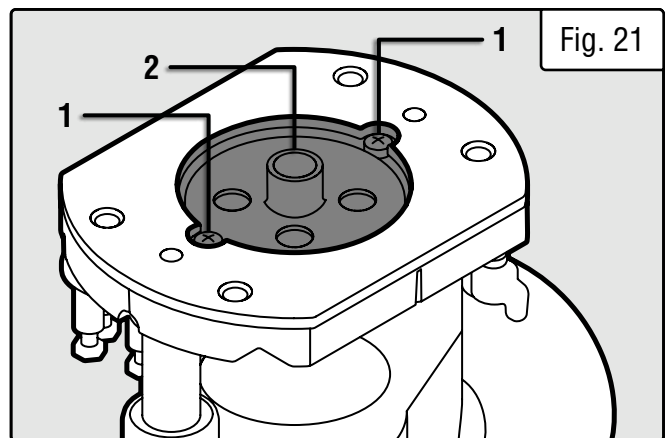
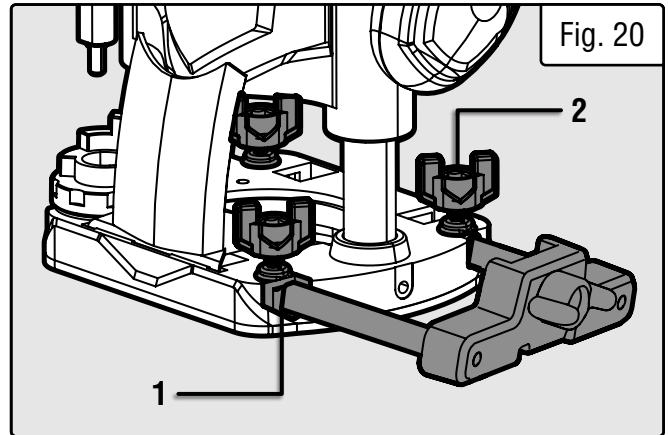


ASSEMBLY & ADJUSTMENTS

INSTALLING THE FENCE

The fence is used to create straight cuts (rabbets, dados, etc.) along a workpiece which already has a straight edge. To attach the straight cut fence:

1. Attach the two fence poles to the fence bracket and tighten the two knobs.
2. Attach the fence to the router base by passing the poles through the fence mounting slots (Fig. 20 - 1). Make sure that each pole passes through both slots on the router base.
3. Adjust the position of the poles to the suitable distance and secure the poles with the three fence locking knobs (Fig. 20 - 2) on the router base. **CAUTION:** Make sure that the fence locking knobs are securely tightened before beginning operation.



INSTALLING THE TEMPLATE GUIDE

The included template guide is designed to fit the base of the router to accurately duplicate curves and other shapes.

1. Remove the two screws (Fig. 21 - 1) on the bottom of the plunge base.
2. Place the template guide (Fig. 21 - 2) into the recess of the plunge base and secure it to the base by reinstalling the two screws. The template guide should protrude below the bottom of the base.

MAINTENANCE

⚠ WARNING! To avoid accidents, turn OFF and remove the power source from the tool before cleaning, adjusting, or performing any maintenance work.

⚠ WARNING! Any attempt to repair or replace electrical parts on this tool may be hazardous. Servicing of the tool must be performed by a qualified technician. When servicing, use only identical WEN replacement parts. Use of other parts may be hazardous or induce product failure.

ROUTINE INSPECTION

Before each use, inspect the general condition of the tool. If any of these following conditions exist, do not use until parts are replaced.

Check for:

- Loose hardware
- Damaged battery pack
- Cracked or broken parts
- Any other condition that may affect its safe operation

CLEANING & STORAGE

1. Keep the ventilation openings free from dust and debris to prevent the motor from overheating.
2. Wipe the tool surfaces clean with a damp cloth and mild soap. Make sure water does not get into the tool.

CAUTION: Most plastics are susceptible to damage from various types of commercial solvents. Do not use any solvents or cleaning products that could damage the plastic parts. Some of these include but are not limited to: gasoline, carbon tetrachloride, chlorinated cleaning solvents, and household detergents that contain ammonia.


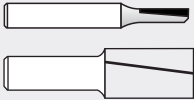


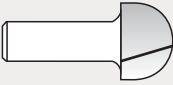



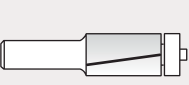




3. Allow the tool to cool before storing it. Store the tool in a clean and dry place away from the reach of children.

PRODUCT DISPOSAL

Used power tools should not be disposed of together with household waste. This product contains electronic components that should be recycled. Please take this product to your local recycling facility for responsible disposal and to minimize its environmental impact.

ROUTER BITS

WEN offers a line of high quality router bits available for purchase directly from our website. Simply go to wenproducts.com and search the model number for the router bit that matches your needs.

Type	Description	Diameter	Cutting Length	Overall Length	Shank Size	Model No.	
  	A	Straight Bit - 1 Flute	1/8"	1/2"	2"	1/4"	RB001SF
	Straight Bit - 1 Flute	3/16"	1/2"	1-7/8"	1/4"	RB002SF	
	Straight Bit - 1 Flute	1/4"	3/4"	2"	1/4"	RB003SF	
	Straight Bit - 2 Flute	1/4"	3/4"	2"	1/4"	RB101FF	
	Straight Bit - 2 Flute	1/4"	1"	2-1/4"	1/4"	RB102FF	
	Straight Bit - 2 Flute	5/16"	3/4"	2"	1/4"	RB103FF	
	Straight Bit - 2 Flute	5/16"	1"	2-1/4"	1/4"	RB104FF	
	Straight Bit - 2 Flute	3/8"	3/4"	2"	1/4"	RB105FF	
	Straight Bit - 2 Flute	3/8"	1"	2-1/4"	1/4"	RB106FF	
	Straight Bit - 2 Flute	1/2"	3/4"	2"	1/4"	RB107FF	
	Straight Bit - 2 Flute	1/2"	1-1/4"	2-17/32"	1/4"	RB108FF	
	Straight Bit - 2 Flute	1/2"	1-1/4"	2-7/8"	1/2"	RB109FF	
	Straight Bit - 2 Flute	5/8"	1-1/4"	2-7/8"	1/2"	RB110FF	
	Straight Bit - 2 Flute	3/4"	3/4"	2"	1/4"	RB111FF	
Straight Bit - 2 Flute	3/4"	1-1/4"	2-7/8"	1/2"	RB112FF		
Type	Description	Diameter	Cutting Length	Overall Length	Shank Size	Model No.	
 	B	1/8" Radius Core Box Bit	1/4"	1/4"	1-1/2"	1/4"	RB201CB
	1/8" Radius Core Box Bit	1/2"	3/8"	1-5/8"	1/4"	RB202CB	
 	C	V-Groove Bit	1/2"	1/2"	1-3/4"	1/4"	RB301VG
	V-Groove Bit	1/2"	5/8"	1-7/8"	1/4"	RB302VG	
	V-Groove Bit	5/8"	1/2"	1-3/4"	1/4"	RB303VG	
	V-Groove Bit	3/4"	5/8"	1-7/8"	1/4"	RB304VG	
 	D	Flush Trim & Bearing	1/4"	1/2"	2-1/8"	1/4"	RB401FT
	Flush Trim & Bearing	3/8"	1"	2-5/8"	1/4"	RB402FT	
	Flush Trim & Bearing	1/2"	1/2"	2-3/16"	1/4"	RB403FT	
	Flush Trim & Bearing	1/2"	1"	2-11/16"	1/4"	RB404FT	
	Flush Trim 3 Wing	1/2"	1"	2-11/16"	1/4"	RB501FW	
	Flush Trim 3 Wing	1/2"	1-1/2"	3-19/32"	1/2"	RB502FW	
 	E	1/8" Radius Roundover Bit & Bearing	3/4"	3/8"	2-1/8"	1/4"	RB601RD
	5/16" Radius Roundover Bit & Bearing	1-1/8"	9/16"	2-1/4"	1/4"	RB602RD	
 	F	Rabbeting Bit	1-1/4"	1/2"	2-1/8"	1/4"	RB701RA

WARRANTY STATEMENT

WEN Products is committed to building tools that are dependable for years. Our warranties are consistent with this commitment and our dedication to quality.

LIMITED WARRANTY OF WEN PRODUCTS FOR HOME USE

GREAT LAKES TECHNOLOGIES, LLC (“Seller”) warrants to the original purchaser only, that all WEN consumer power tools will be free from defects in material or workmanship during personal use for a period of two (2) years from date of purchase or 500 hours of use; whichever comes first. Ninety days for all WEN products if the tool is used for professional or commercial use. Purchaser has 30 days from the date of purchase to report missing or damaged parts.

SELLER’S SOLE OBLIGATION AND YOUR EXCLUSIVE REMEDY under this Limited Warranty and, to the extent permitted by law, any warranty or condition implied by law, shall be the replacement of parts, without charge, which are defective in material or workmanship and which have not been subjected to misuse, alteration, careless handling, misrepair, abuse, neglect, normal wear and tear, improper maintenance, or other conditions adversely affecting the Product or the component of the Product, whether by accident or intentionally, by persons other than Seller. To make a claim under this Limited Warranty, you must make sure to keep a copy of your proof of purchase that clearly defines the Date of Purchase (month and year) and the Place of Purchase. Place of Purchase must be a direct vendor of Great Lakes Technologies, LLC. Purchasing through third party vendors, including but not limited to garage sales, pawn shops, resale shops, or any other secondhand merchant, voids the warranty included with this product. Contact techsupport@wenproducts.com or 1-847-429-9263 with the following information to make arrangements: your shipping address, phone number, serial number, required part numbers, and proof of purchase. Damaged or defective parts and products may need to be sent to WEN before the replacements can be shipped out.

Upon the confirmation of a WEN representative, your product may qualify for repairs and service work. When returning a product for warranty service, the shipping charges must be prepaid by the purchaser. The product must be shipped in its original container (or an equivalent), properly packed to withstand the hazards of shipment. The product must be fully insured with a copy of the proof of purchase enclosed. There must also be a description of the problem in order to help our repairs department diagnose and fix the issue. Repairs will be made and the product will be returned and shipped back to the purchaser at no charge for addresses within the contiguous United States.

THIS LIMITED WARRANTY DOES NOT APPLY TO ITEMS THAT WEAR OUT FROM REGULAR USAGE OVER TIME, INCLUDING BELTS, BRUSHES, BLADES, BATTERIES, ETC. ANY IMPLIED WARRANTIES SHALL BE LIMITED IN DURATION TO TWO (2) YEARS FROM DATE OF PURCHASE. SOME STATES IN THE U.S. AND SOME CANADIAN PROVINCES DO NOT ALLOW LIMITATIONS ON HOW LONG AN IMPLIED WARRANTY LASTS, SO THE ABOVE LIMITATION MAY NOT APPLY TO YOU.

IN NO EVENT SHALL SELLER BE LIABLE FOR ANY INCIDENTAL OR CONSEQUENTIAL DAMAGES (INCLUDING BUT NOT LIMITED TO LIABILITY FOR LOSS OF PROFITS) ARISING FROM THE SALE OR USE OF THIS PRODUCT. SOME STATES IN THE U.S. AND SOME CANADIAN PROVINCES DO NOT ALLOW THE EXCLUSION OR LIMITATION OF INCIDENTAL OR CONSEQUENTIAL DAMAGES, SO THE ABOVE LIMITATION OR EXCLUSION MAY NOT APPLY TO YOU.

THIS LIMITED WARRANTY GIVES YOU SPECIFIC LEGAL RIGHTS, AND YOU MAY ALSO HAVE OTHER RIGHTS WHICH VARY FROM STATE TO STATE IN THE U.S., PROVINCE TO PROVINCE IN CANADA AND FROM COUNTRY TO COUNTRY.

THIS LIMITED WARRANTY APPLIES ONLY TO ITEMS SOLD WITHIN THE UNITED STATES OF AMERICA, CANADA AND THE COMMONWEALTH OF PUERTO RICO. FOR WARRANTY COVERAGE WITHIN OTHER COUNTRIES, CONTACT THE WEN CUSTOMER SUPPORT LINE. FOR WARRANTY PARTS OR PRODUCTS REPAIRED UNDER WARRANTY SHIPPING TO ADDRESSES OUTSIDE OF THE CONTIGUOUS UNITED STATES, ADDITIONAL SHIPPING CHARGES MAY APPLY.

**THANKS FOR
REMEMBERING**

