

# User's Manual

## Hose Reel

64156



Illustration similar, may vary depending on model

Read and follow the operating instructions and safety information before using for the first time.

Technical changes reserved!

Illustrations, functional steps, and technical data may deviate insignificantly due to continuous further developments.

Updating the documentation

If you have suggestions for improvement or have found any irregularities, please contact us.



The information contained in this document may alter at any time without prior notice. No part of this document may be copied or otherwise duplicated without prior written consent. All rights reserved. WilTec Wildanger Technik GmbH cannot be held liable for any possible mistakes in this operating manual, nor in the diagrams and illustrations shown.

Although WilTec Wildanger Technik GmbH has made every possible effort to ensure that this operating manual is complete, accurate, and up-to-date, errors cannot be ruled out entirely.

If you have found an error or wish to suggest an improvement, we look forward to hearing from you. Send us an e-mail to:

[service@wiltec.info](mailto:service@wiltec.info)

or use our contact form:

<https://www.wiltec.de/contacts/>

The most recent version of this manual in several languages can be found in our online shop:

<https://www.wiltec.de/docsearch>

Our postal address is:

WilTec Wildanger Technik GmbH  
Königsbenden 12  
52249 Eschweiler – Germany

To return your goods for exchange, repair, or other purposes, please use the following address. Attention! To allow for a trouble-free complaint or return, it is important to contact our customer service team before returning your goods.

Retourenabteilung  
WilTec Wildanger Technik GmbH  
Königsbenden 28  
52249 Eschweiler – Germany

E-mail: **service@wiltec.info**

Tel: +49 2403 55592-0

Fax: +49 2403 55592-15

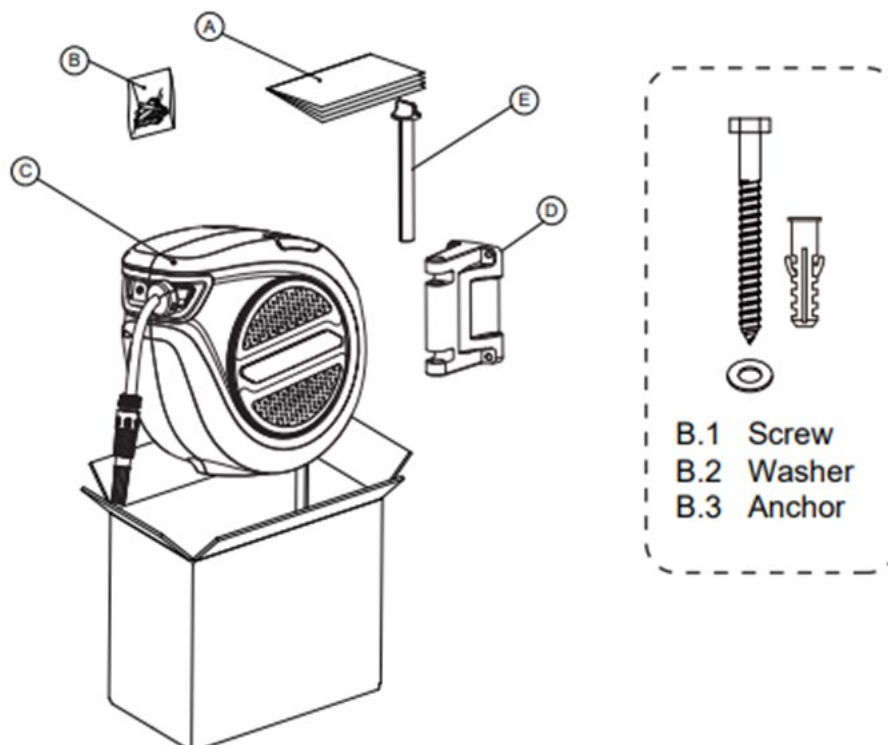
## Introduction

Thank you for choosing to purchase this quality product. To minimise the risk of injury, we ask you to always take some basic safety precautions when using this product. Please read this operating manual carefully and make sure that you understand it. Keep these operation instructions in a safe place.

## Safety instructions

- Read the entire user's manual before you install and use the product.
- Only connect the reel to a source of water with a pressure of 8 bar or less.
- Discharge the water pressure when the hose reel is not in use.
- The housing must not be disassembled. There is a tensioned spring inside.
- When incorrectly mounting the article, it might fall. Make sure that the surface that the reel is fixed to can support the load.
- When using electric tools, e.g., an electric drill, always wear an eye protection.
- Make sure that there are no electric cables or tubes inside the wall where you wish to install the hose reel.
- Hold the hose until it has been entirely retracted into the reel.
- The yellow marks of adhesive tape show the end of the length of the hose.
- **Attention!** Do not lose your hold of the hose to allow it to reel up independently.

## Scope of delivery



Letter	Name	Quantity
A	User's manual	1
B	Fixing material	1
C	Hose reel	1

<b>D</b>	Bracket	1
<b>E</b>	Mounting bolt	1
<b>B1</b>	Screw	4
<b>B2</b>	Washer	4
<b>B3</b>	Anchor	4

### Technical specifications

<b>Hose diameter (mm)</b>	12.7
<b>Length of inlet hose (m)</b>	2
<b>Length of outlet hose (m)</b>	20
<b>Max. operation pressure (bar)</b>	8

### Choosing the best installation site

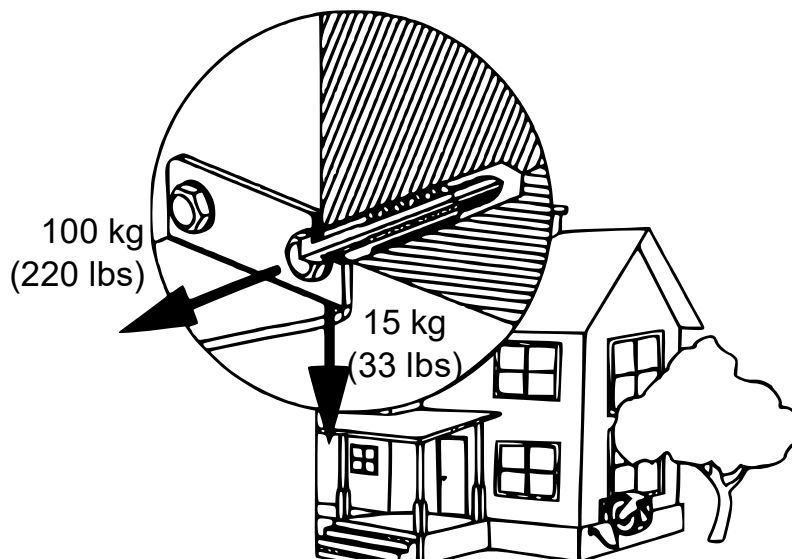
This product can be mounted in many ways. It is important to choose the mounting spot carefully. Consider the following points when mounting the reel to a certain surface:

1. proximity of the source of water – This product has a 20-m outlet hose. Make sure that it reaches your garden.
2. proximity of the water supply – This product has a 2-m inlet hose. Make sure that it reaches the supply.
3. Sunlight – installation site covered from direct sunlight
4. Thickness of the installation site – The surface must be strong enough to support the loads stated in the illustrations (per screw). If you are not sure, contact a professional plumber.
5. Find additional information on the installation options in the manual.

**Warning!** There is a risk of falling if the installation is not carried out correctly. Make sure that your installation can bear the above-mentioned loads.

**Caution!** Wear eye protection when using power tools, such as an electric drill.

**Warning!** Make sure that there are no live cables or pipes in the wall where you are drilling.



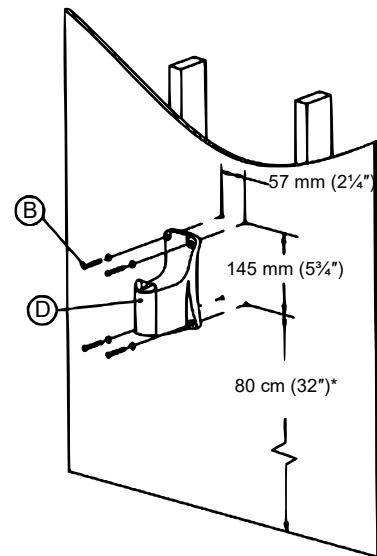
## Fixing the reel directly to wood

### Recommended tools

- Masking tape
- Bolt finder
- Level
- Electric drill machine
- $\varnothing$ 3-mm drill
- Cross-head screwdriver

### Steps

1. Find the bolt with the help of the bolt finder and mark the point.
2. Fix the drilling template to the wall in an appropriate height, making sure that the holes are centred on the bolt.
3. Check the midpoints of the holes using a level to make sure that they are vertical.
4. Drill four holes in the mid of the template with a 3-mm wall drill.
5. Fix the holder to the wall or wood needle using four screws and washers.
6. Set the hose reel to the wall holder and secure it by inserting the fixing bolt.
7. Connect the end of the inlet hose with the water supply.



\* = recommended

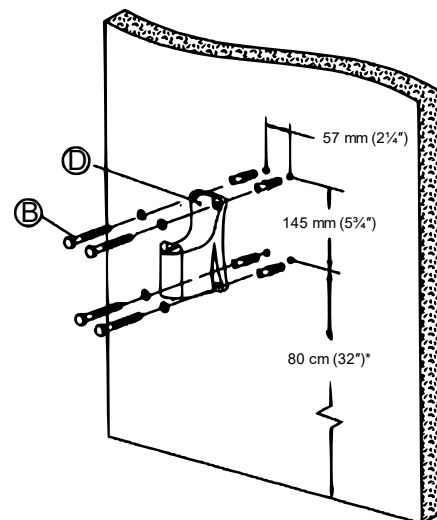
## Fixing the reel to a cavity wall or brickwork structure

### Recommended tools

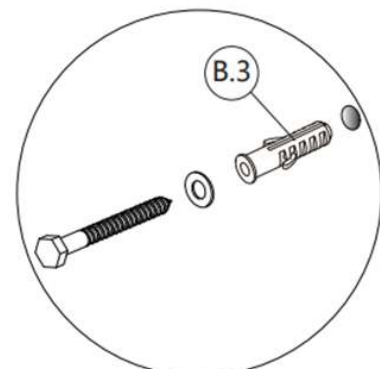
- Masking tape
- Level
- Electric drill machine
- $\varnothing$ 10-mm drill
- Hammer or mallet
- Cross-head screwdriver

### Steps

1. Fix the drilling template to the wall in an appropriate height, making sure that the holes are between the bolts.
2. Check the midpoints of the holes using a level to make sure that they are vertical.
3. Drill four holes in the mid of the template with a 10-mm wall drill.
4. Drive plastic dowels (B3) in the holes using a hammer or mallet.
5. Fasten the bracket to the wall or wooden post using four screws and a washer, making sure that the fastening screws are driven into the plastic anchors in the wall.
6. Set the hose reel to the wall holder and secure it by inserting the fixing bolt.
7. Connect the end of the inlet hose with the water supply.



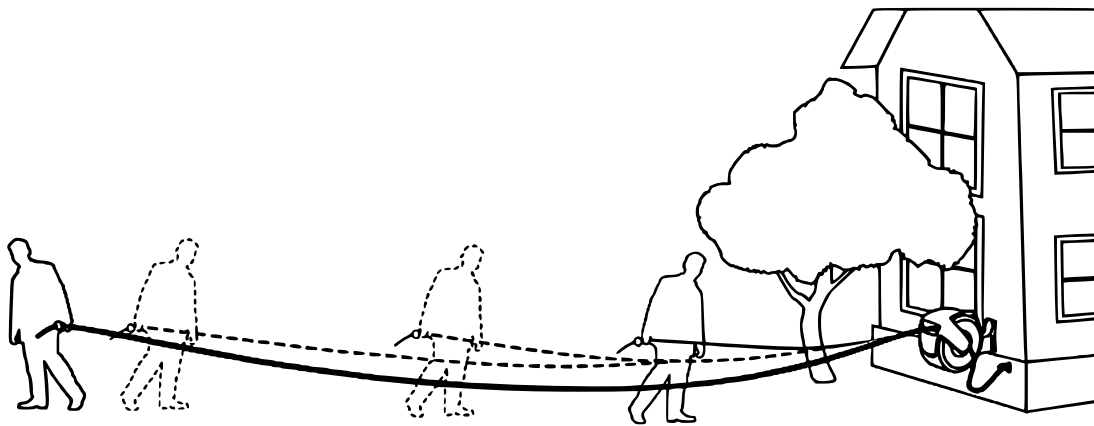
\* = recommended



## Use

### Warning!

- Always hold the hose firmly until it is fully retracted into the hose reel.
  - The yellow tape marks the end of the hose length.
  - Depressurise when not in use.
  - Do not let go of the hose so that it retracts automatically.
1. Extract the hose to the desired length. The hose will latch automatically.
  2. For unlatching and rolling up, shortly pull the hose. Guide the hose back to its reel. When pulling out the hose more than 10 cm, the hose locks in place again.
  3. Always hold the hose while rolling it up to avoid injuries and damages.
  4. In case the hose gets tangled up, preventing its rolling up, extract it again over the tangled point, then let it retract slowly while guiding the hose back to its reel. Always make sure that the hose is clean and does not get tangled.



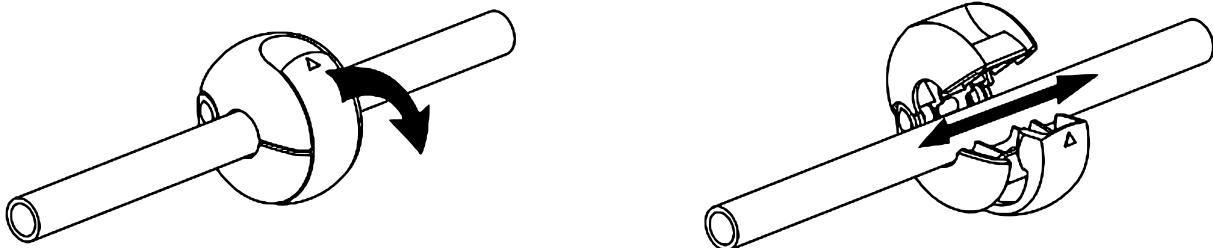
### Adjusting the stop all

The position of the stop ball can be adjusted so that the hose is always within reach. No tools are required to realise this adjustment.

#### Steps

1. Extract the hose to the desired length, making sure that the hose reel is locked (hose does not roll up again).
2. Open the lock of the stop ball and slide it to the desired position.
3. Re-lock the ball.

**Attention!** Always make sure that the hose reel is locked before removing the stop ball; also make sure that the stop ball is securely fixed before un-locking the reel.





## Maintenance

Although this product has been made of high-quality material, wear and tear might appear in the course of time. Check the hose and housing on a regular basis. When cracks or bubbles can be seen, place the reel out of operation.

**Attention!** There is a tensioned spring inside. Do not disassemble the housing.

- Always keep the hose clean.
- When the hose is dirty, clean it with a damp cloth while reeling the hose up.
- Do not twist the hose during its use.
- Install the hose reel to a protected site to keep and protect the performance of the hose and reel.
- The hose must not come into contact with caustic chemicals or liquids.
- Always reel the hose up then it is not in use.

### Important Note:

Reproduction and any commercial use (of parts) of this operating manual, requires a written permission of WilTec Wildanger Technik GmbH.