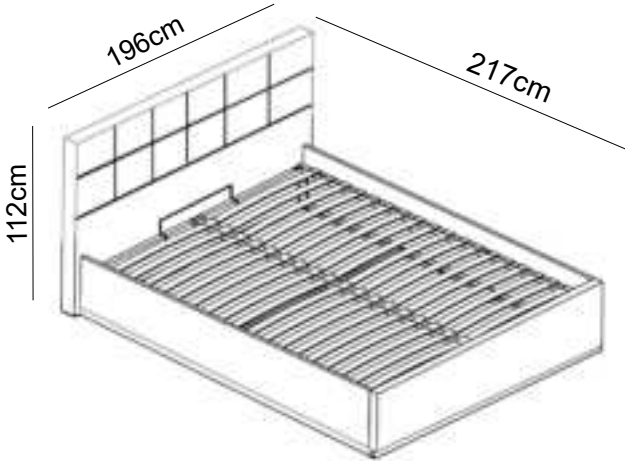
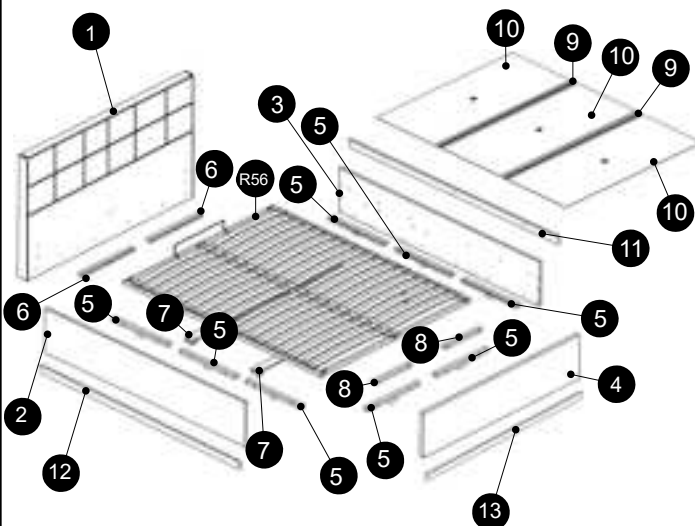
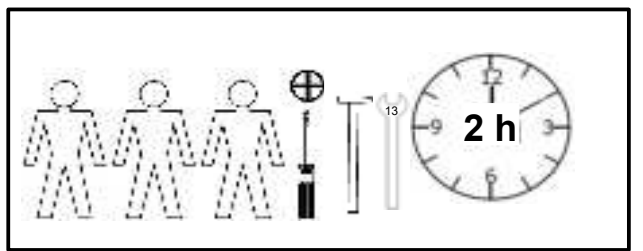


**ASSEMBLY INSTRUCTIONS  
NOTICE DE MONTAGE  
MONTAGEANTEILUNG  
ISTRUZIONI DI MONTAGGIO  
MANUAL DE MONTAJE  
ISTRUCOES DE MONTAGEM  
UPUTE ZA MONTAŽU  
KURULUM TALIMATLAN**



**VELVORO 180x200**

Version: 13-01-2026



|     |      |      |     | PCS |     |
|-----|------|------|-----|-----|-----|
| 1   | 1960 | 1120 | 140 | 1   | 1/4 |
| 2   | 2000 | 370  | 60  | 1   | 2/4 |
| 3   | 2000 | 370  | 60  | 1   | 2/4 |
| 4   | 1900 | 370  | 60  | 1   | 2/4 |
| 5   | 550  | 48   | 46  | 8   | 3/4 |
| 6   | 550  | 38   | 24  | 2   | 3/4 |
| 7   | 1775 | 70   | 38  | 2   | 3/4 |
| 8   | 380  | 38   | 24  | 2   | 3/4 |
| 9   | 1794 | 17   | 7   | 2   | 3/4 |
| 10  | 1594 | 662  | 3   | 3   | 3/4 |
| 11  | 2000 | 65   | 16  | 1   | 3/4 |
| 12  | 2000 | 65   | 16  | 1   | 3/4 |
| 13  | 1832 | 65   | 16  | 1   | 3/4 |
| R56 | 1770 | 1970 | 60  | 1   | 4/4 |

*BEFORE  
READ THE ATTACHED  
ASSEMBLY  
INSTRUCTIONS*

*AVANT DE  
COMMENCER, SE  
REPORTER AUX  
CONSEILS EN  
ANNEXE*

*AVANTI DI  
COMMINCIARE  
RIPORTATE AGLI  
CONSIGLI DI  
MONTAGGIO*

*VOR DIE  
MONTAGE, BITTE  
BEILIEGENDE  
ANWEISUNGEN  
FOLGEN*

*ANTES DE EMPEZAR  
CONSULTE LOS  
CONSEJOS PARA EL  
MONTAJE*



|                             |                               |                           |                              |                                  |                              |
|-----------------------------|-------------------------------|---------------------------|------------------------------|----------------------------------|------------------------------|
| <b>A x4</b><br><br>WP M6x25 | <b>A1 x32</b><br><br>WP M6x25 | <b>A2 x22</b><br><br>8x40 | <b>A3 x10</b><br><br>US 5x60 | <b>A4 x14</b><br>                | <b>A5 x4</b><br><br>WP M6x60 |
| <b>A6 x4</b><br>            | <b>A7 x4</b><br>              | <b>E x4</b><br><br>H:70   | <b>E_1 x4</b><br><br>M8      | <b>E_2 x4</b><br><br>M8x23       | <b>E1_1 x2</b><br>           |
| <b>E1_2 x2</b><br>          | <b>E1_3 x8</b><br><br>US 4x16 | <b>E2_1 x8</b><br>        | <b>E2_2 x8</b><br>           | <b>E2_3 x64</b><br><br>US 3,5x16 | <b>E2_4 x8</b><br>           |
|                             |                               | <b>E2_5 x8</b><br>        |                              |                                  |                              |

**OSTRZEŻENIE:** Dostępne kable, przewody elektryczne, sznury, węzły itp. stanowią zagrożenie uduszeniem dla małych dzieci. Dostępne elementy mogą również powstawać powstawać uszkodzenia, np. przez rozcięcie małych dzieci.

**WARUNG:** Die zugänglichen Kabel, elektrische Leitungen, Schnüre, Schlingen usw. stellen das Erstickungsrisiko bei Kindern dar. Die zugänglichen Elemente solcher Art sollen immer außer der Reichweite von Kindern sein.

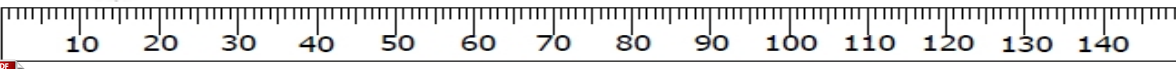
**WARNING:** Accessible cables, electrical wires, cords, strings, ribbons ... present a risk of strangulation for the young children. These accessible elements should always be kept out of reach of young children.

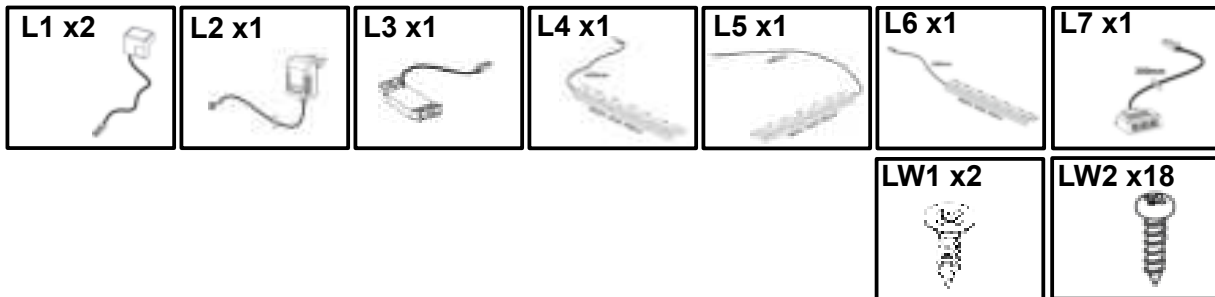
**ATTENTION:** les câbles, fils électriques, cordes, ficelles, rubans ... accessibles présentent un risque d'étouffement pour les jeunes enfants. Ces éléments accessibles doivent toujours être tenus hors de portée des jeunes enfants.

*ANTES DE  
COMERCAR, ADIARSE  
AOS CONSELHOS DE  
MONTAGEM EM ANEXO*

*PRIJE POČETKA  
MONTAŽE  
MOLIMO PAŽLJIVO  
UPUTE  
ZA MONTAŽU*

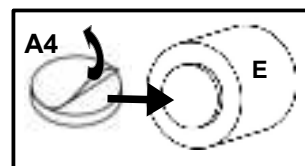
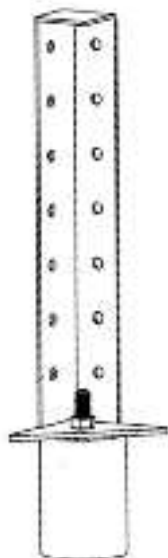
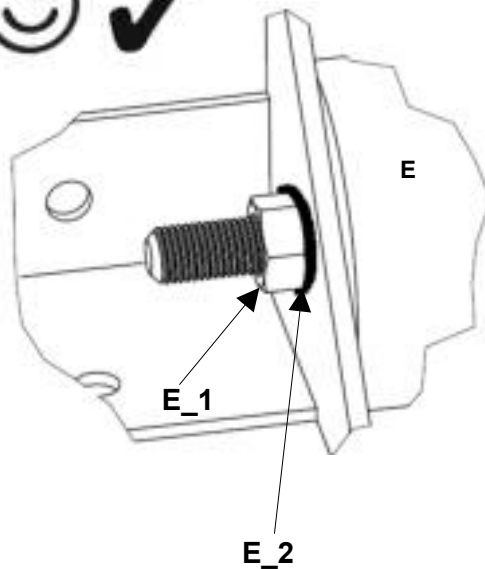
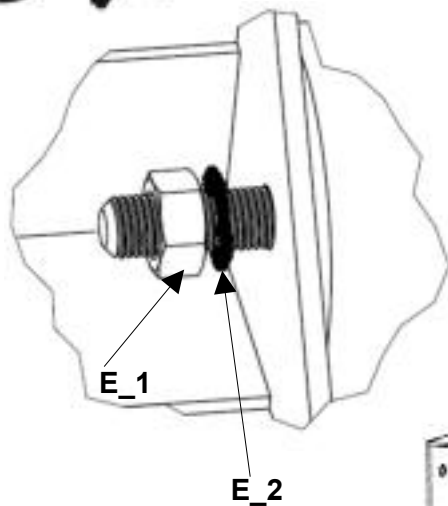
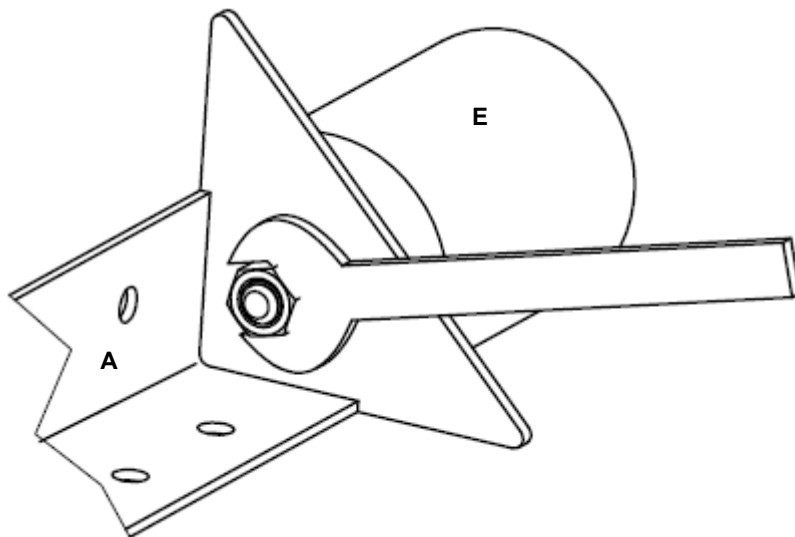
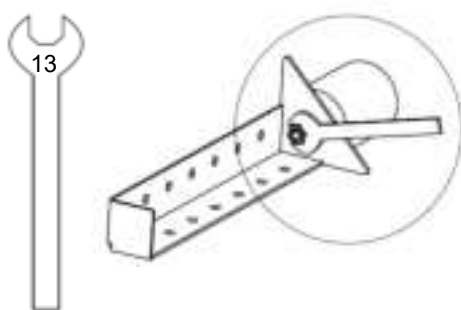
*MONTAJ TALIMATLARI  
TESLIM ÖNCE OKUYUN  
LÜTFEN*





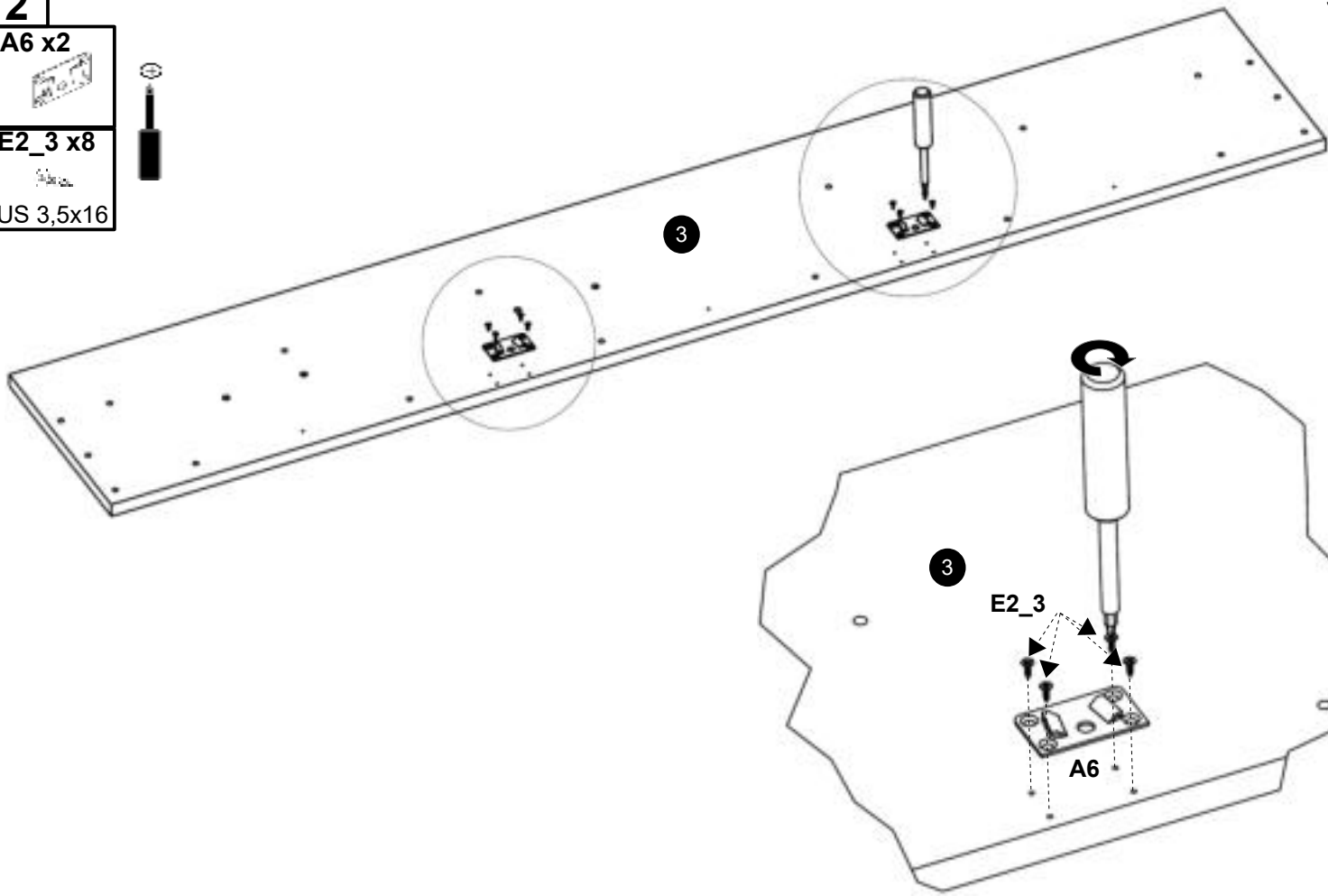
1

- A x4
- A4 x4
- E x4
- H:70
- E\_1 x4
- M8
- E\_2 x4
- M8x23



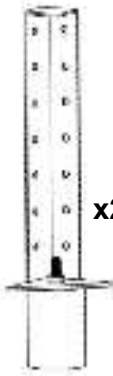
2

- A6 x2
- E2\_3 x8
- US 3,5x16

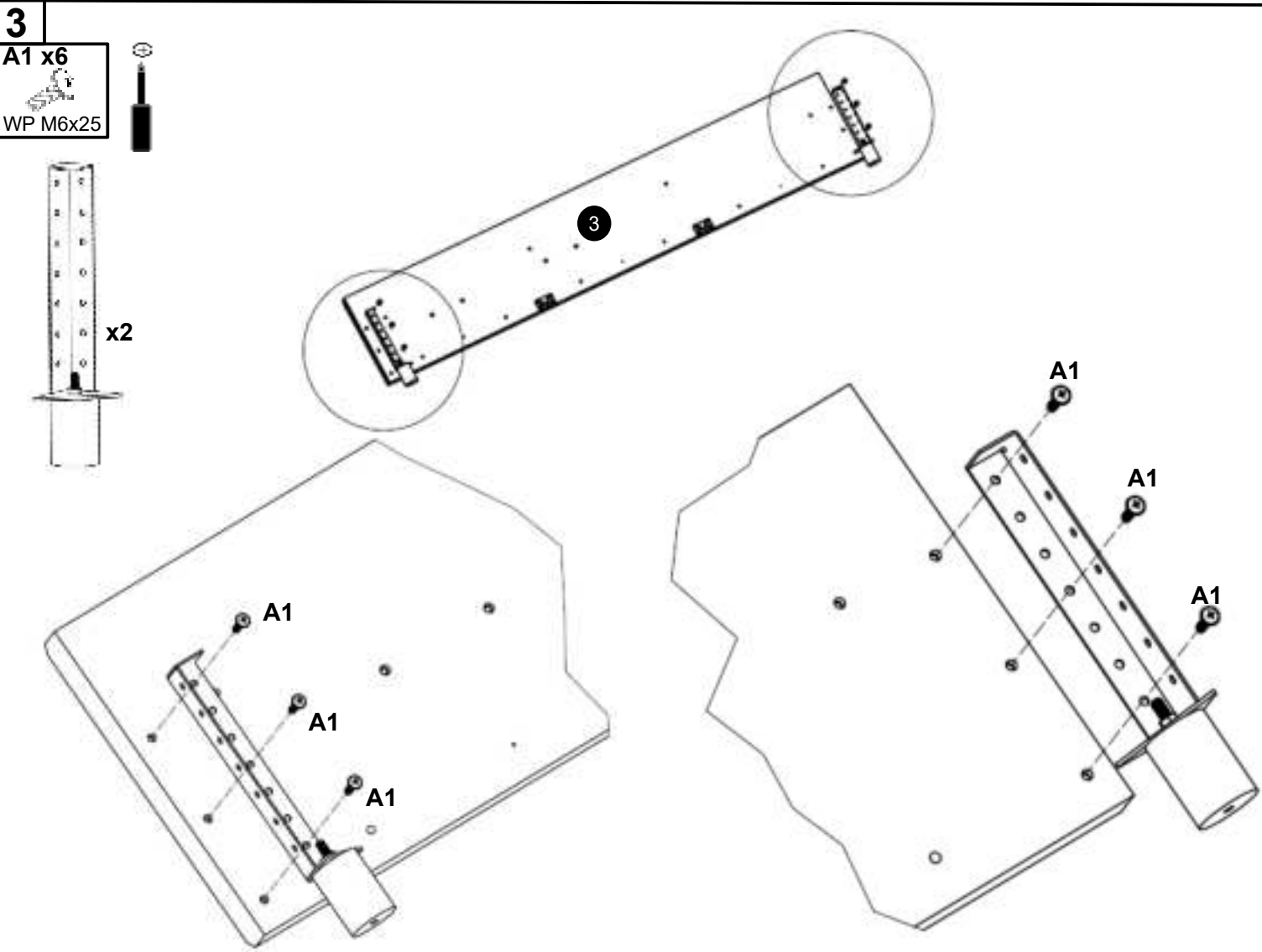


3

- A1 x6
- WP M6x25

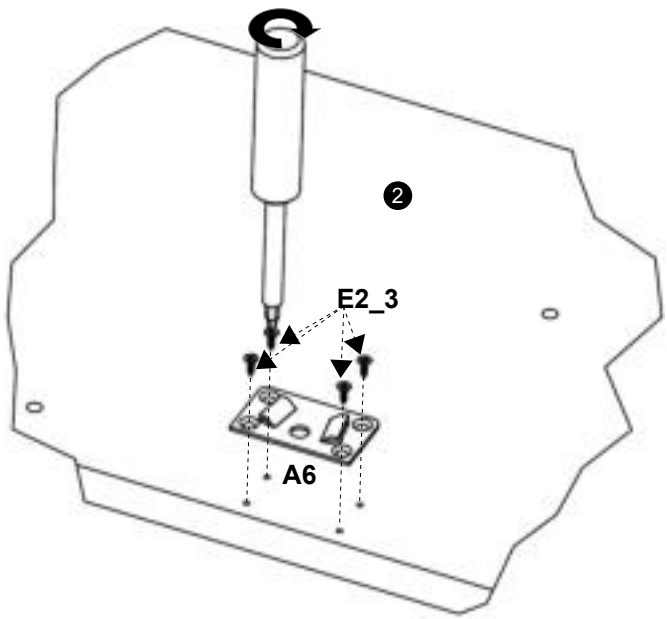
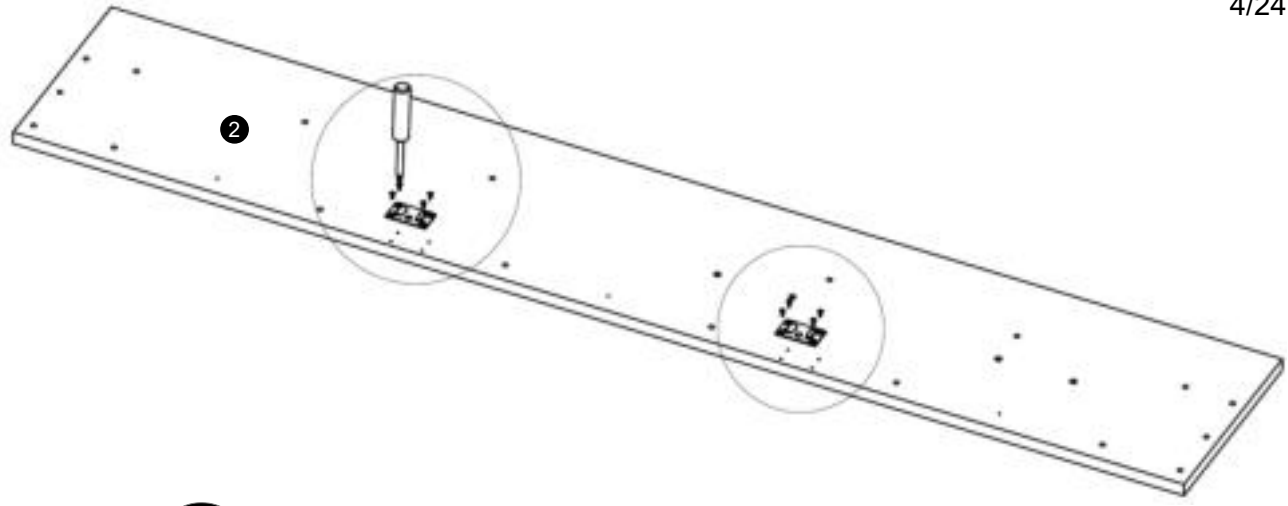


x2



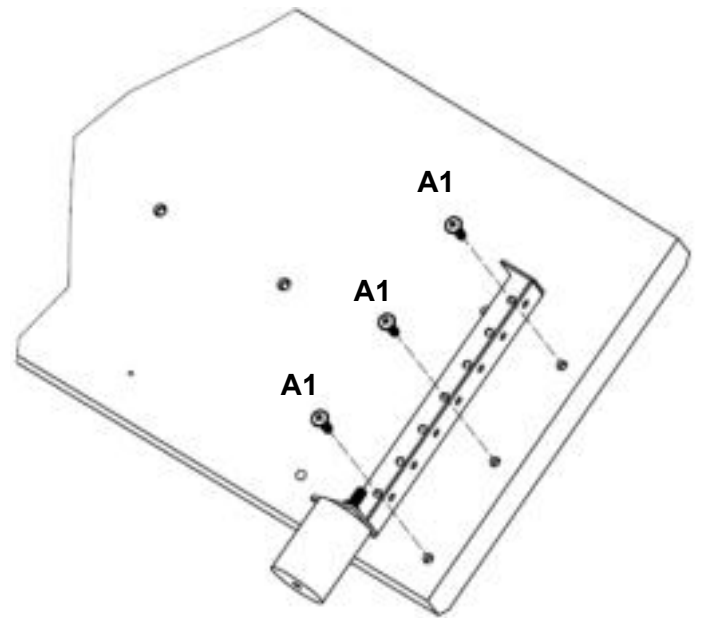
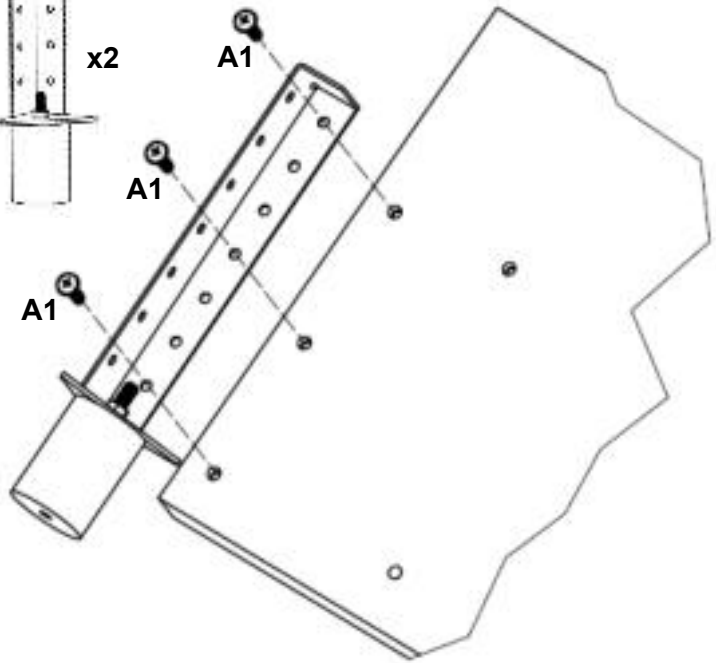
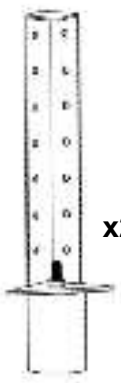
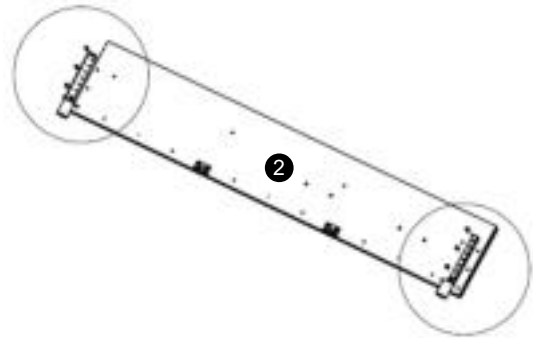
4

- A6 x2
- E2\_3 x8
- US 3,5x16

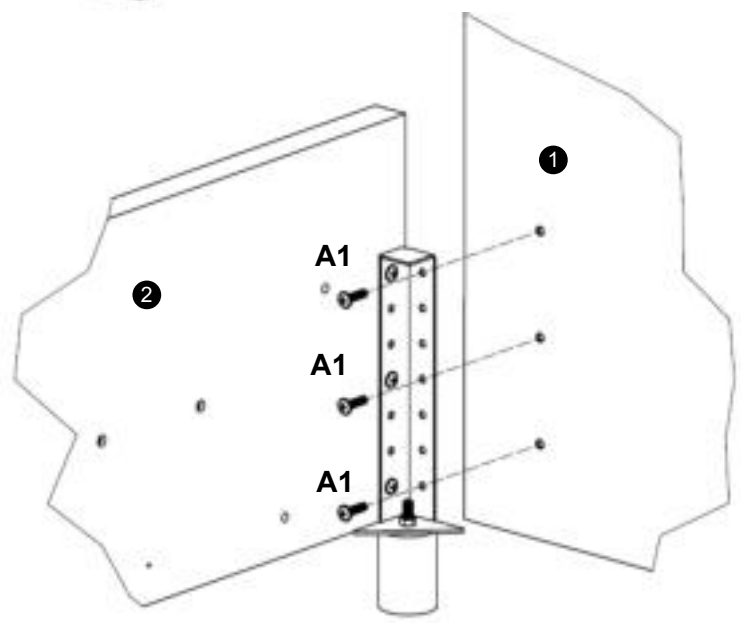
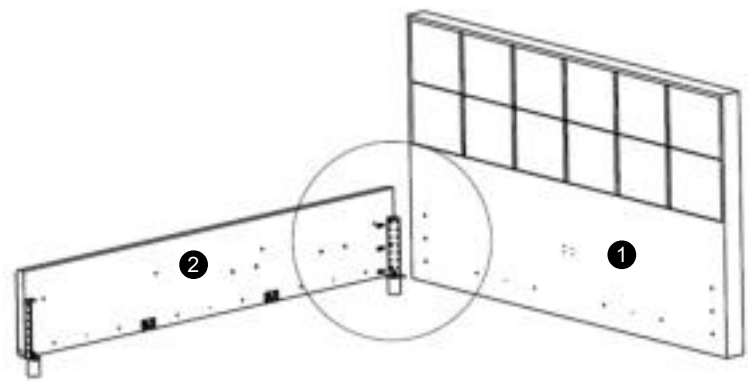


5

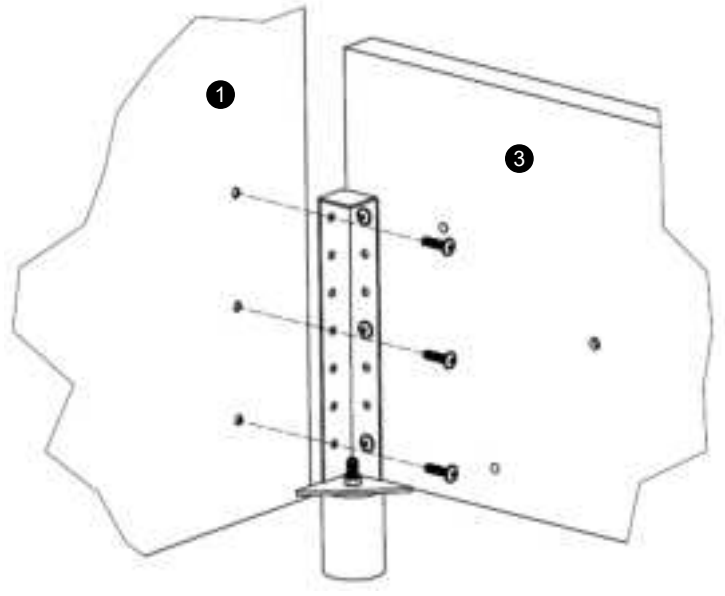
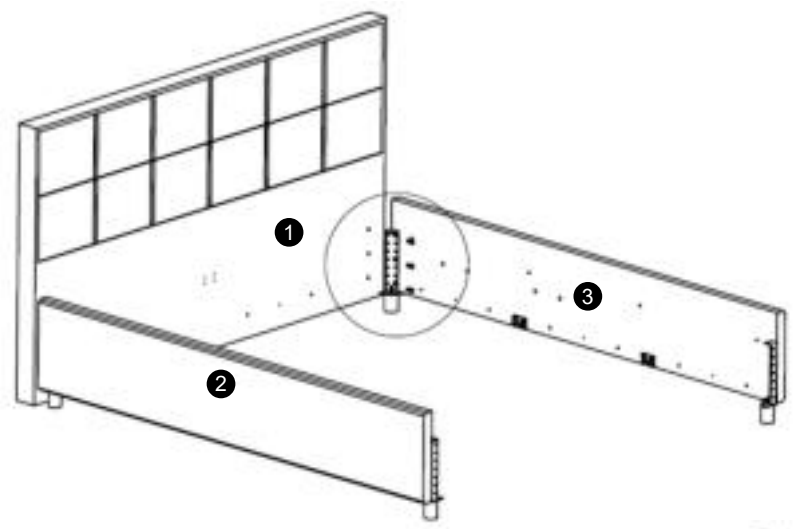
- A1 x6
- WP M6x25



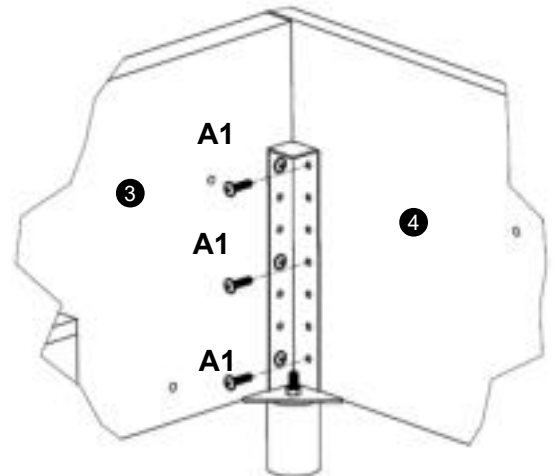
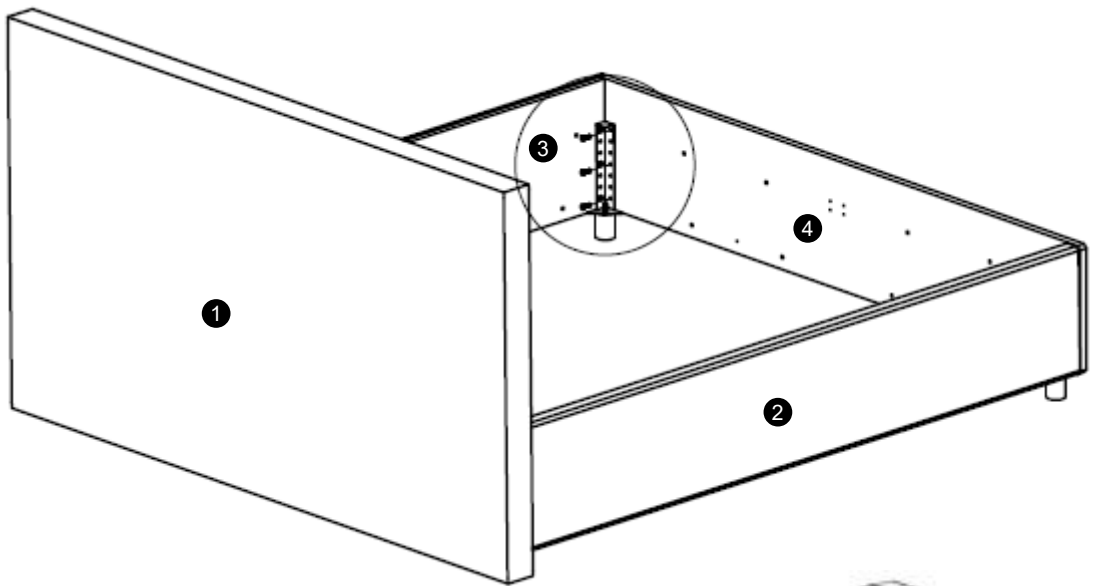
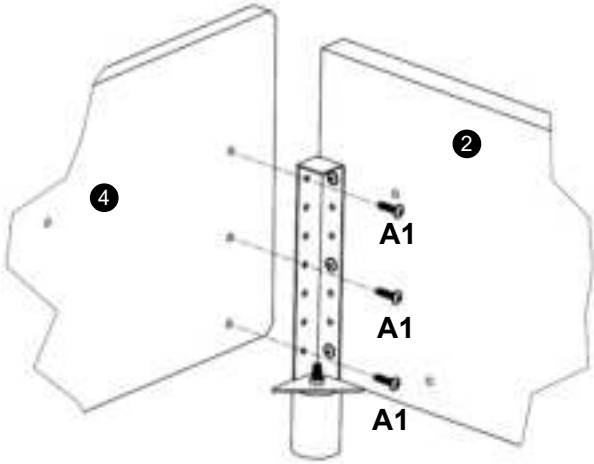
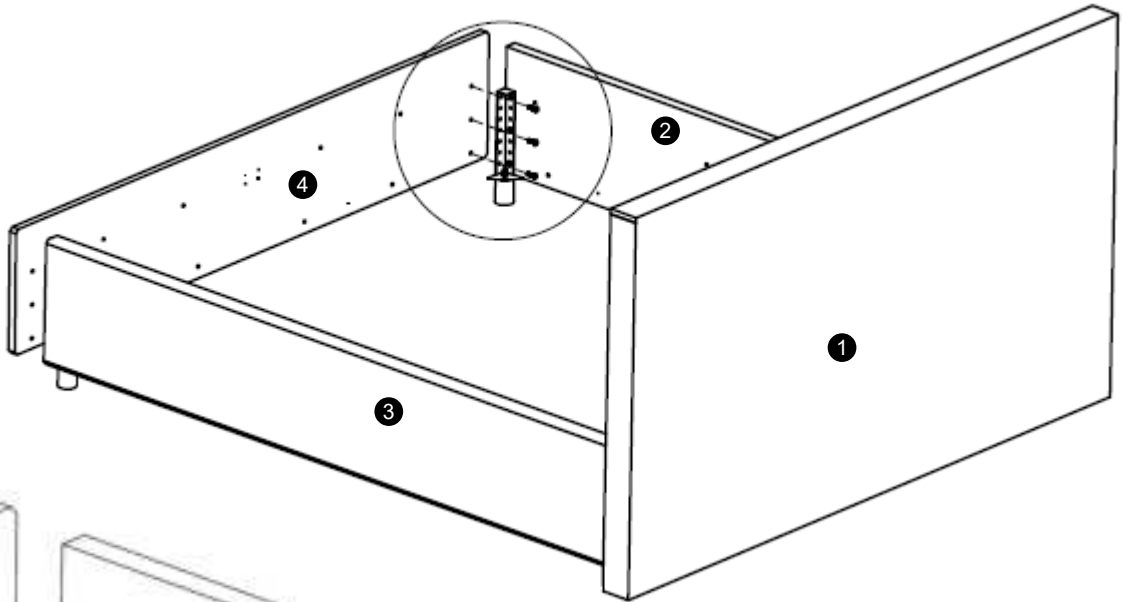
**6**  
**A1 x3**  
WP M6x25



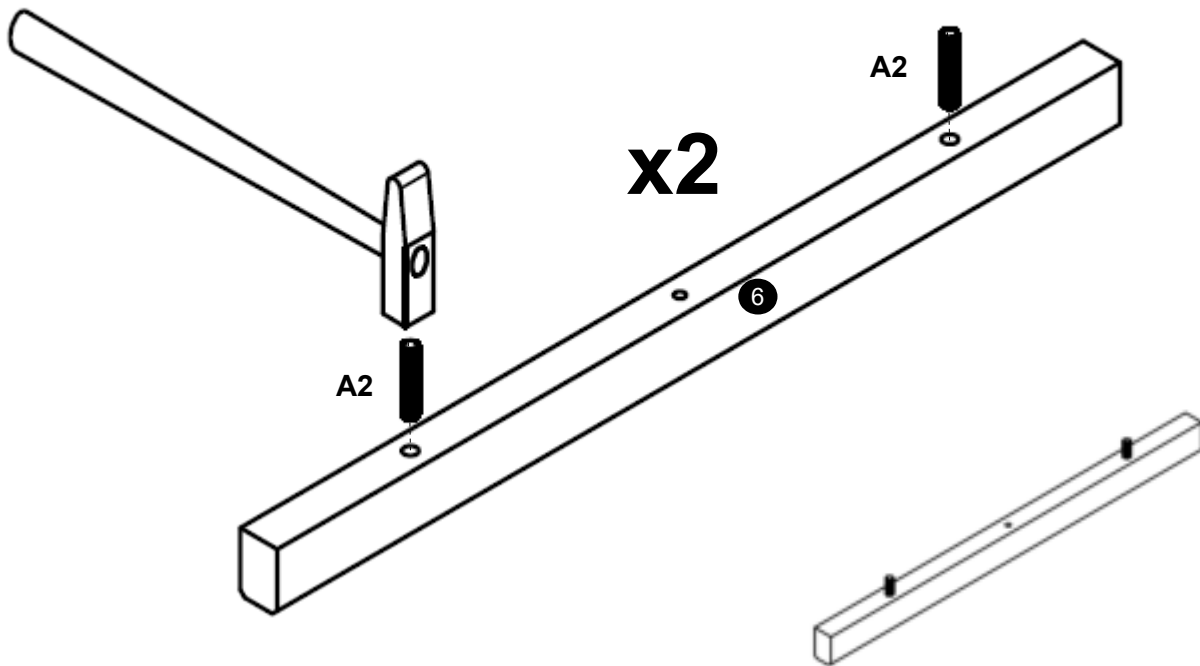
**7**  
**A1 x3**  
WP M6x25



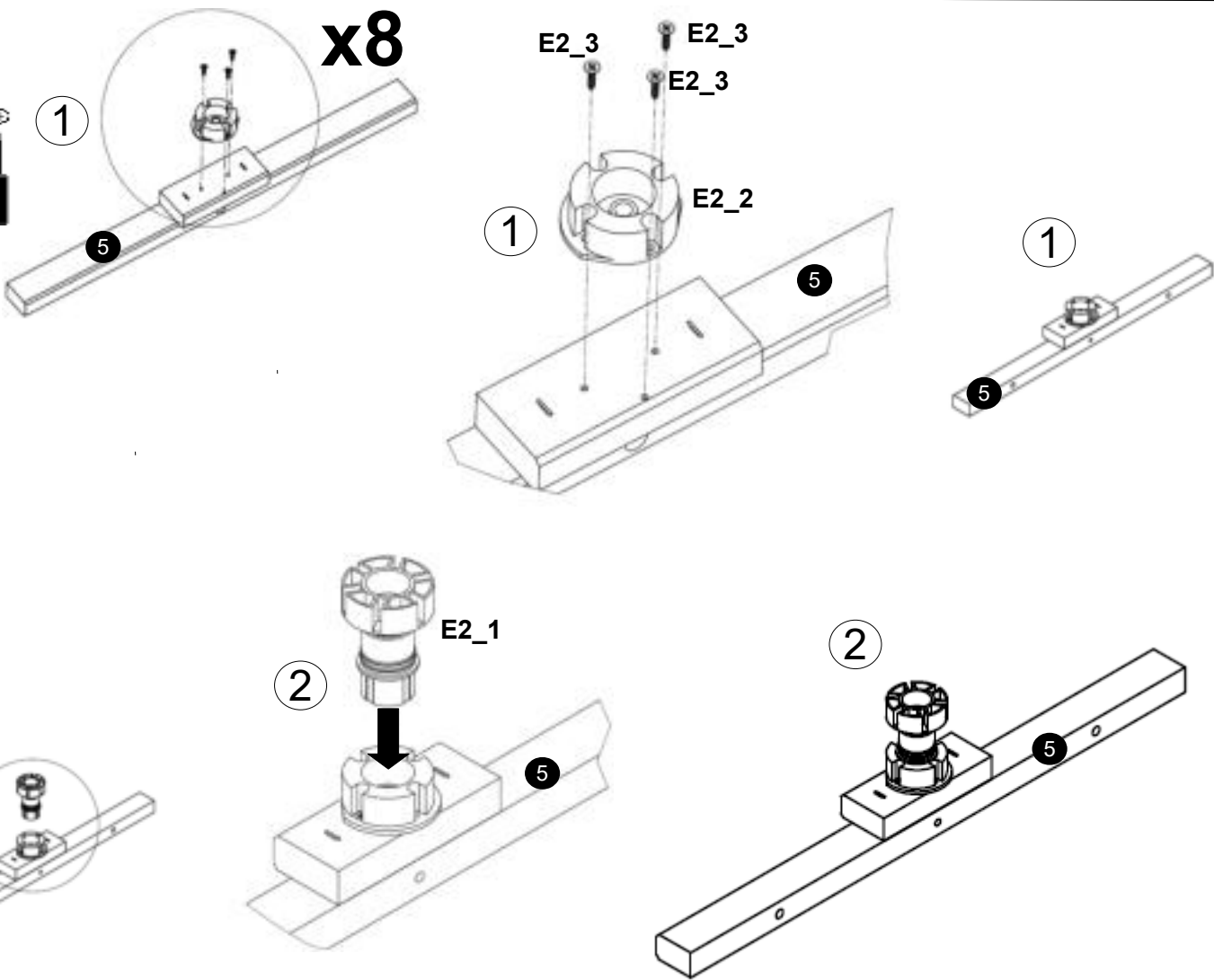
A1 x6  
WP M6x25



A2 x4  
8x40



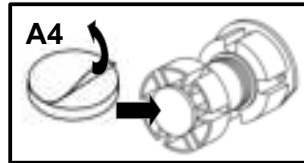
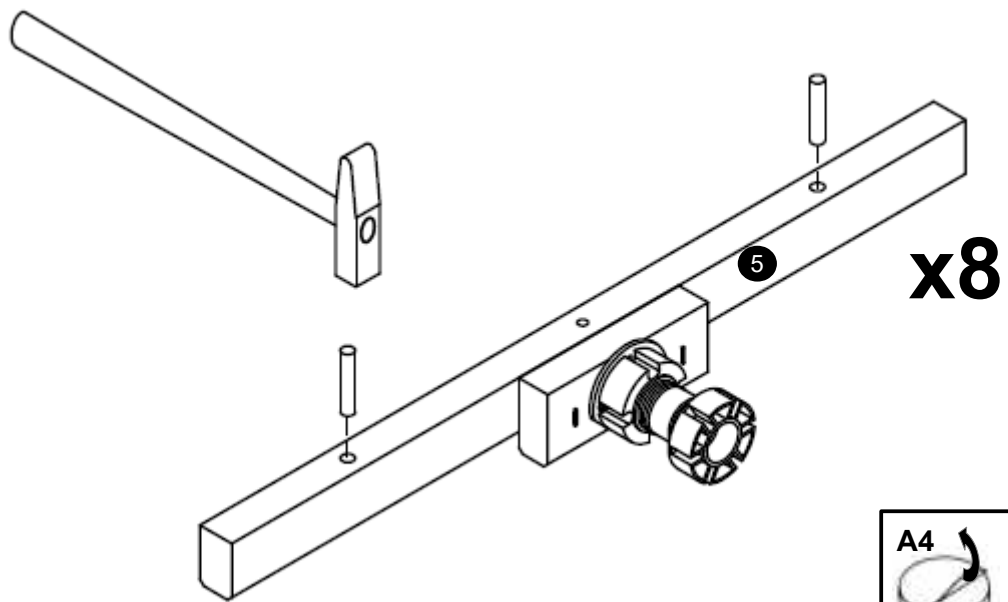
E2\_1 x8  
E2\_2 x8  
E2\_3 x24  
US 3,5x16



11

A2 x16  
8x40

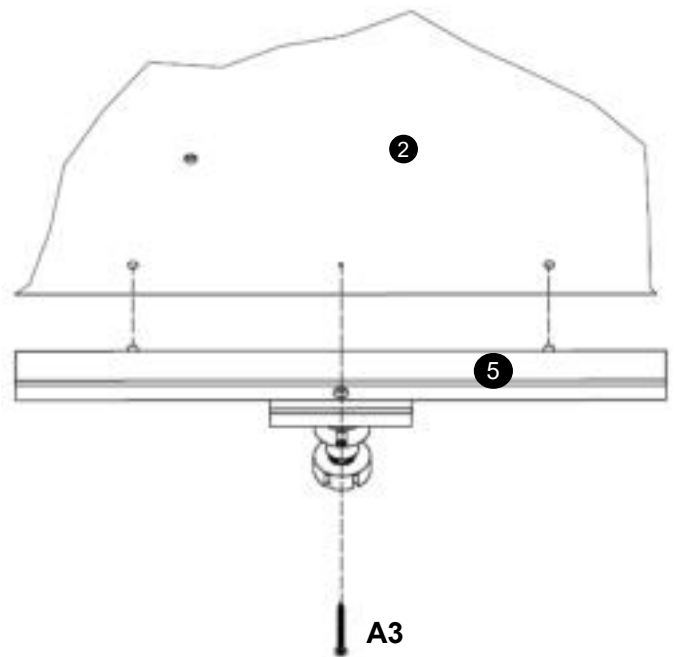
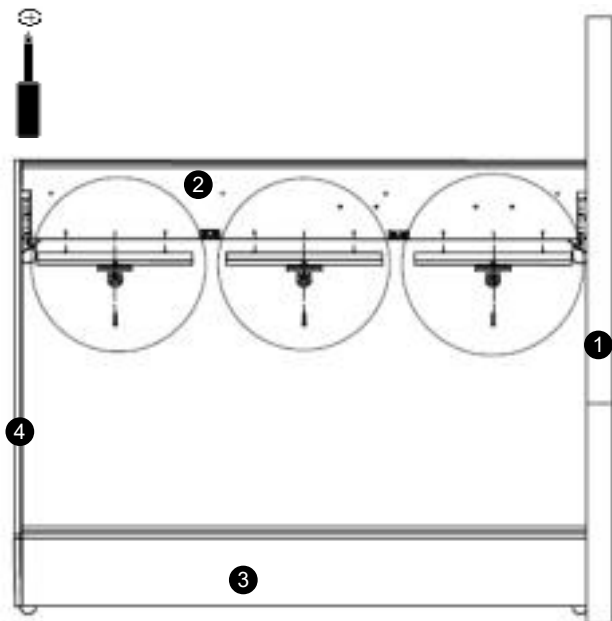
A4 x8



12

A3 x3

US 5x60

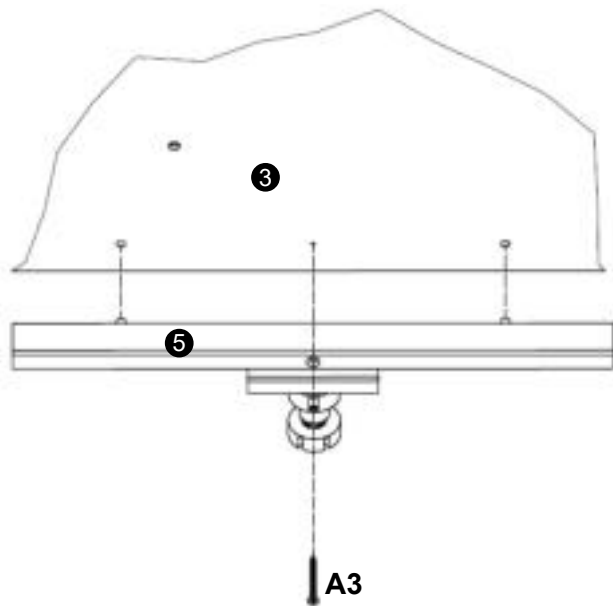
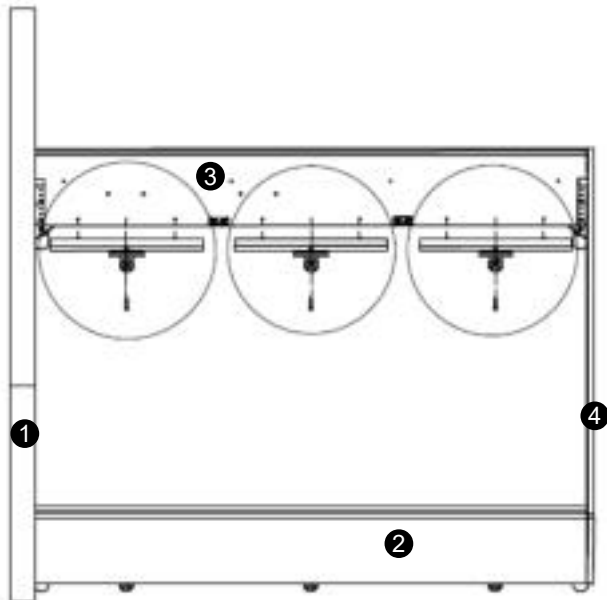


13

A3 x3



US 5x60



14

A3 x2

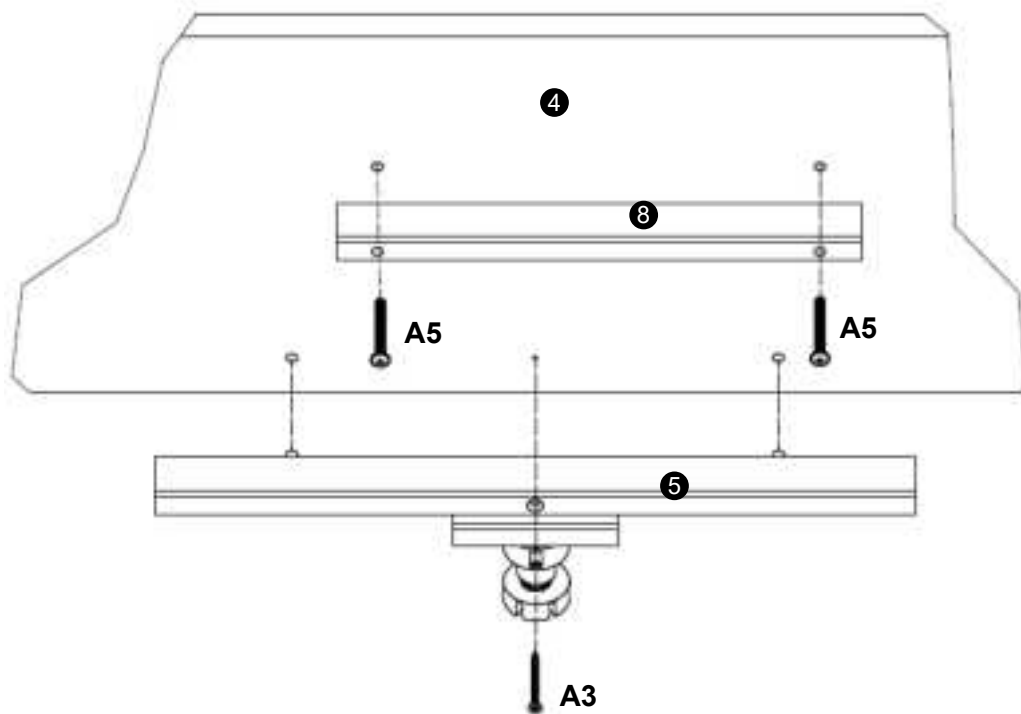
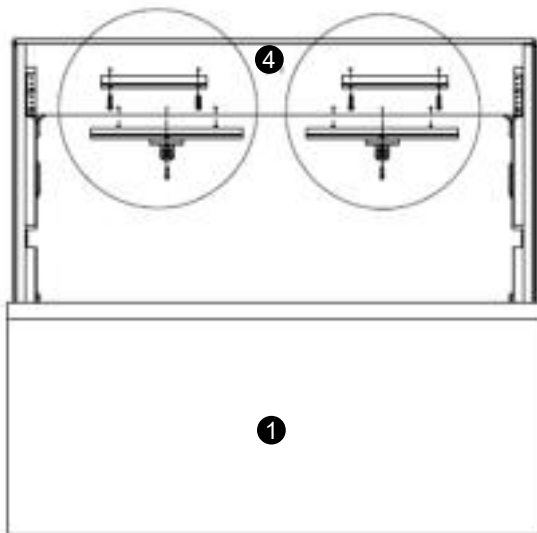


US 5x60

A5 x4

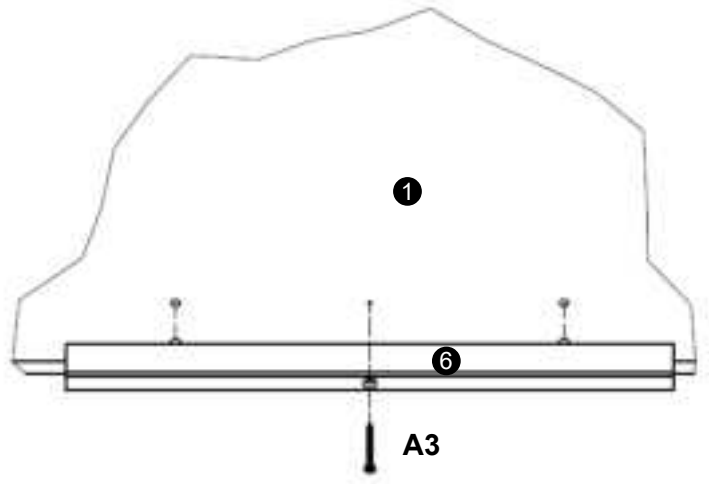
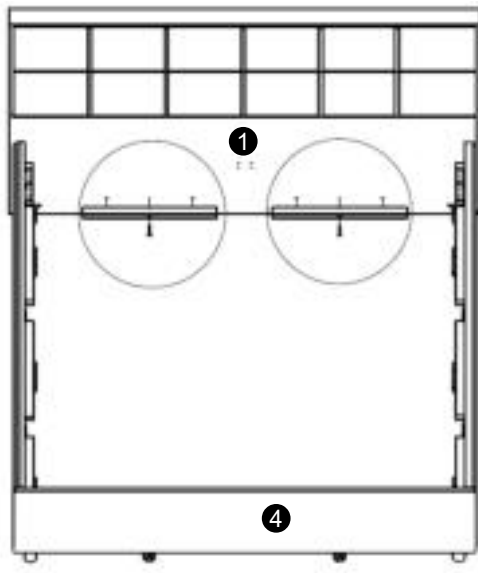
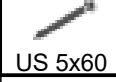


WP M6x60



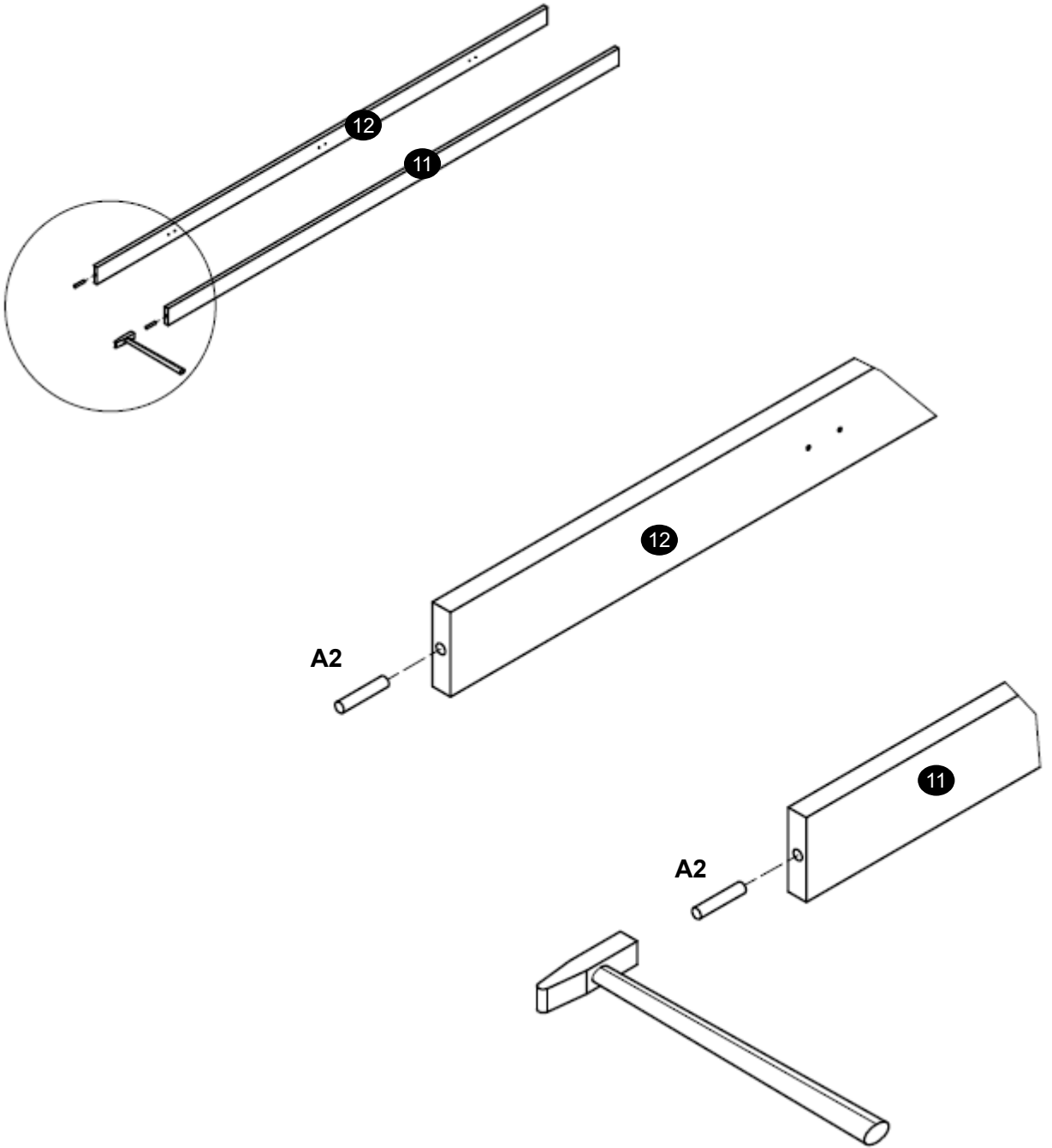
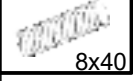
15

A3 x2



16

A2 x2



# 17

E2\_3 x12

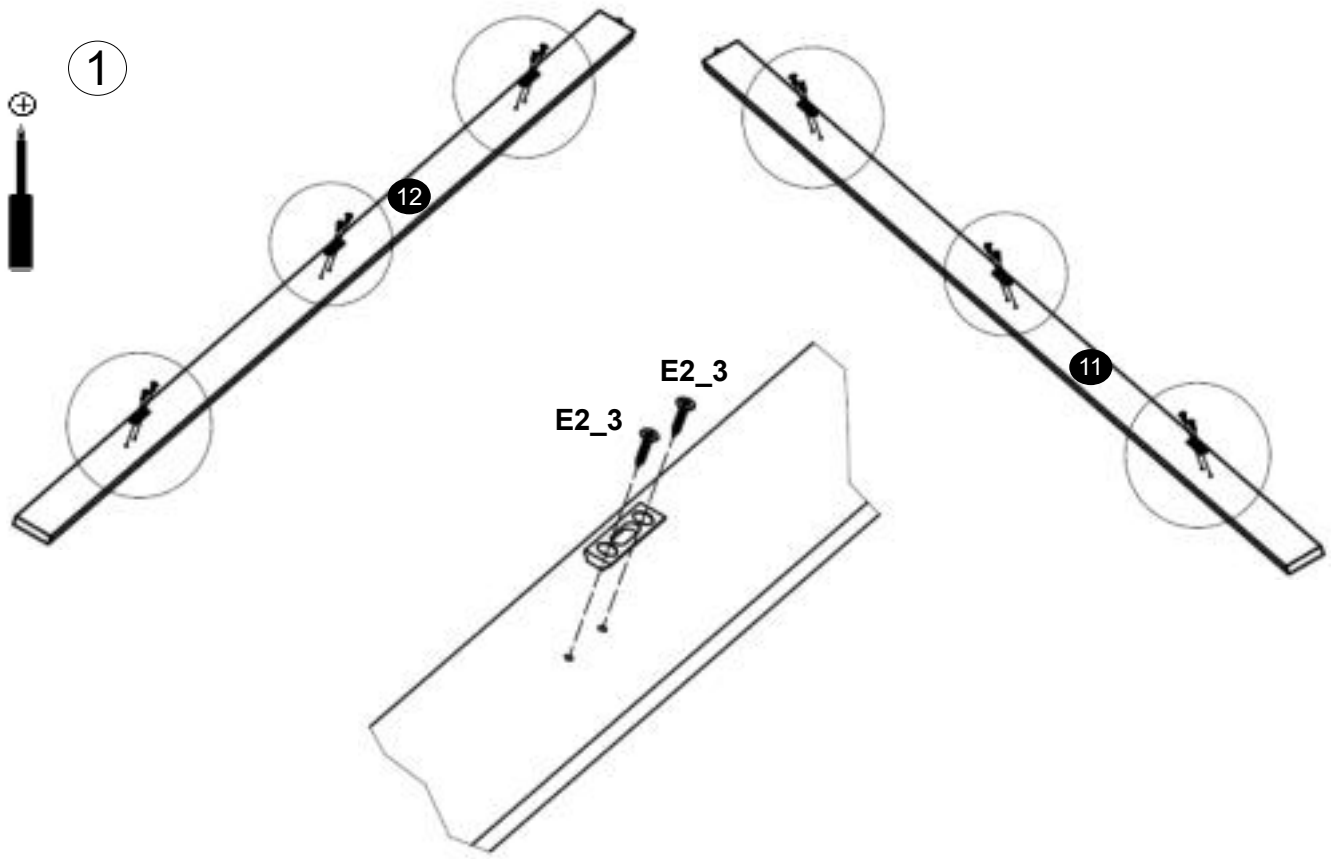
US 3,5x16

E2\_4 x6

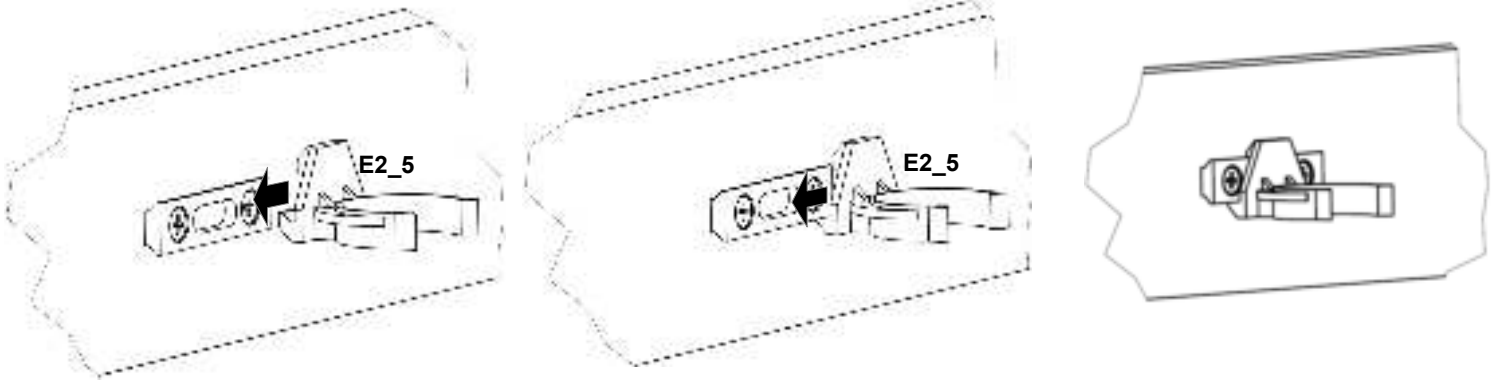
E2\_5 x6



1



2



# 18

E2\_3 x4

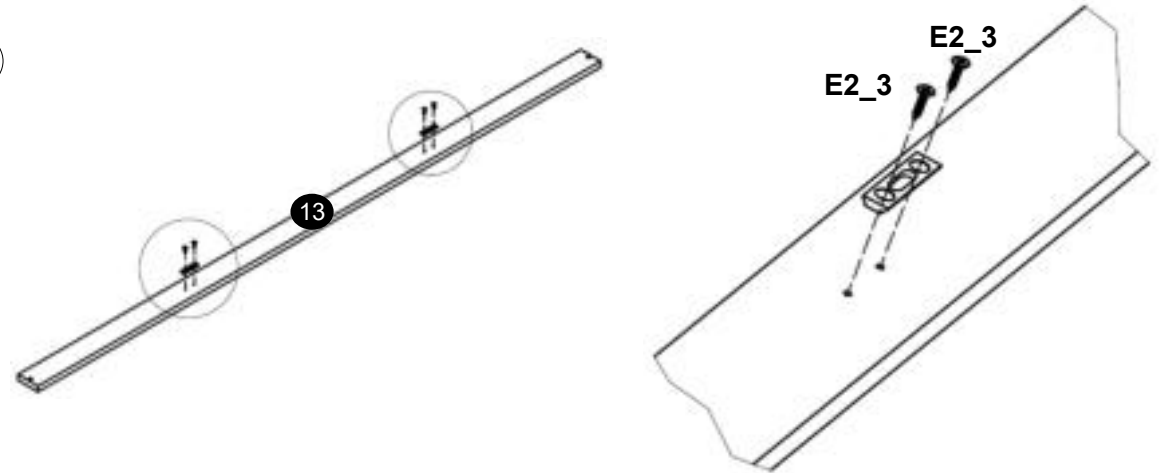
US 3,5x16

E2\_4 x2

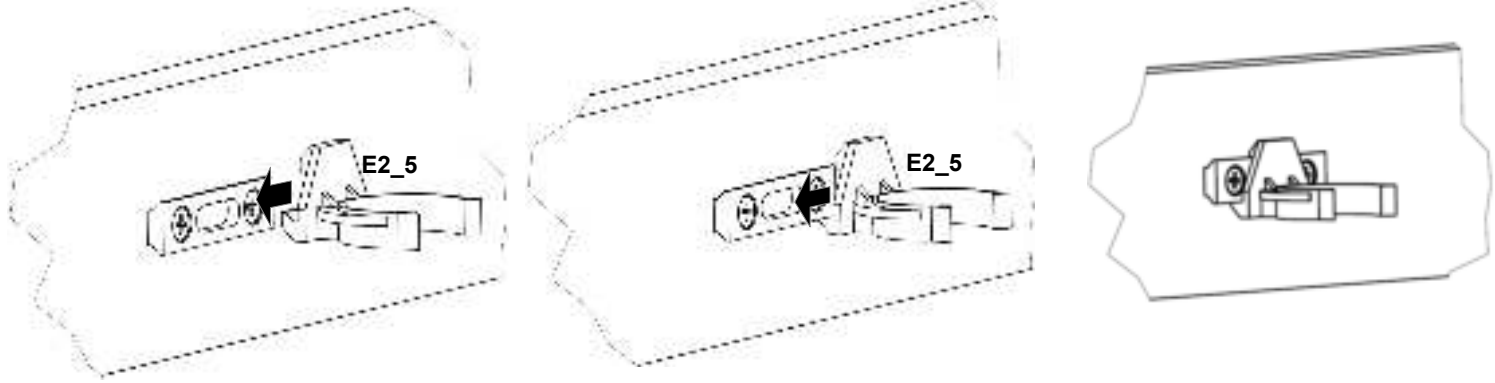
E2\_5 x2



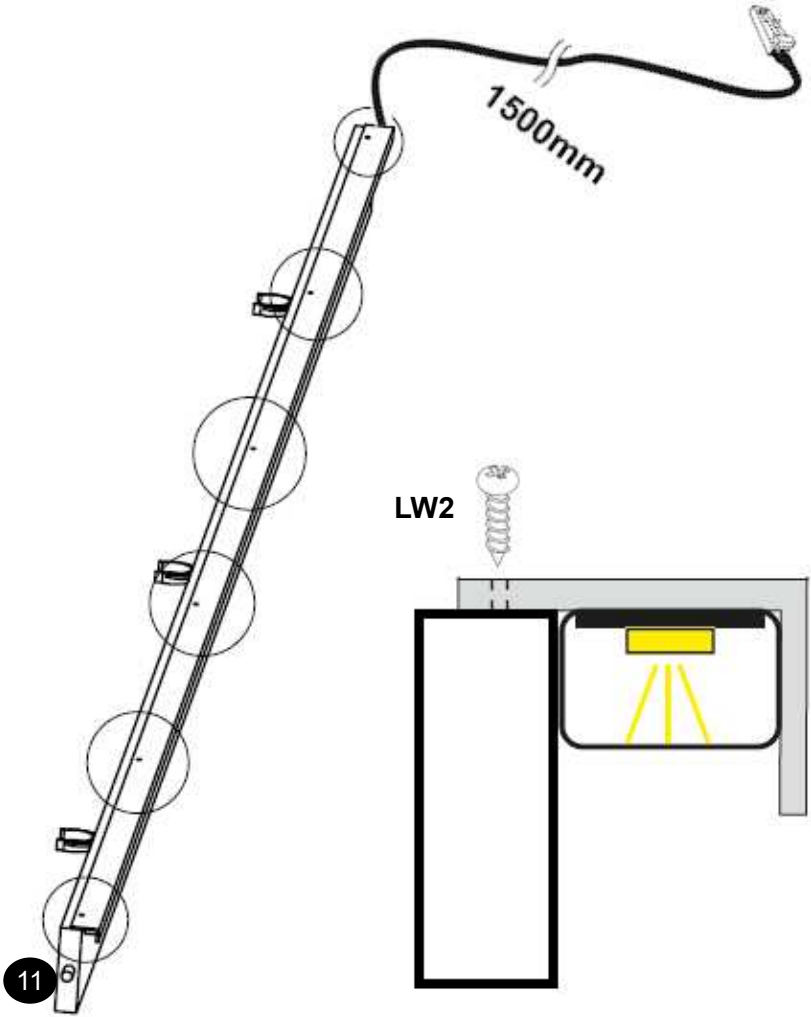
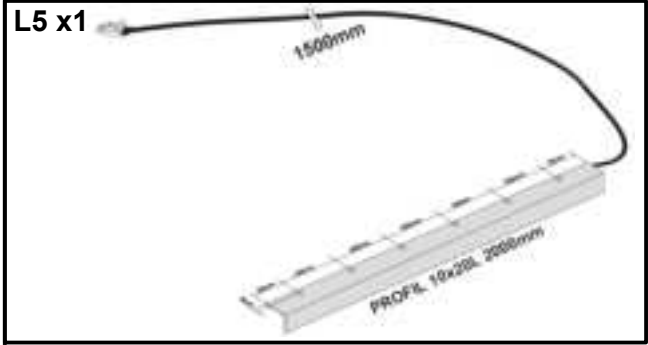
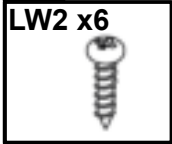
1



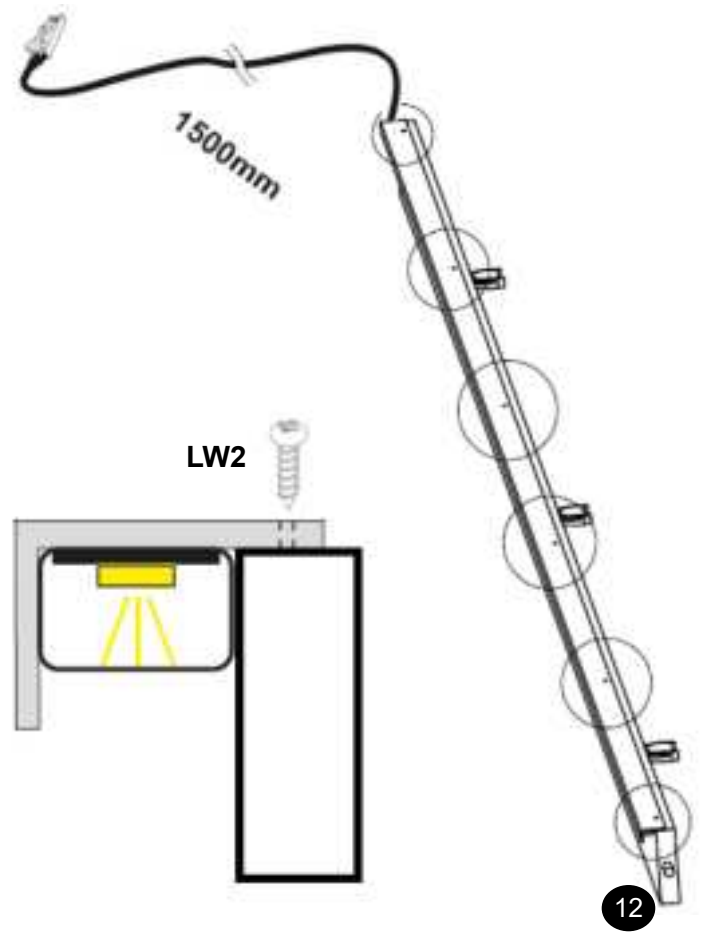
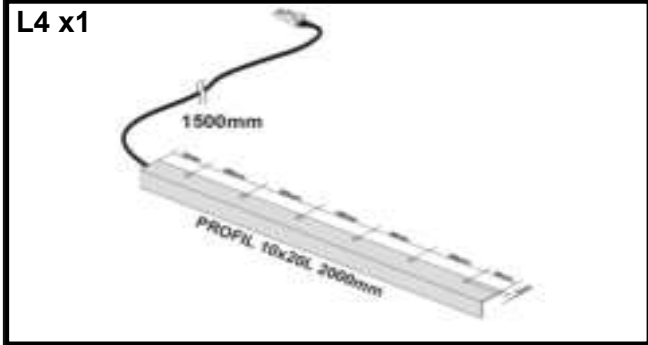
2



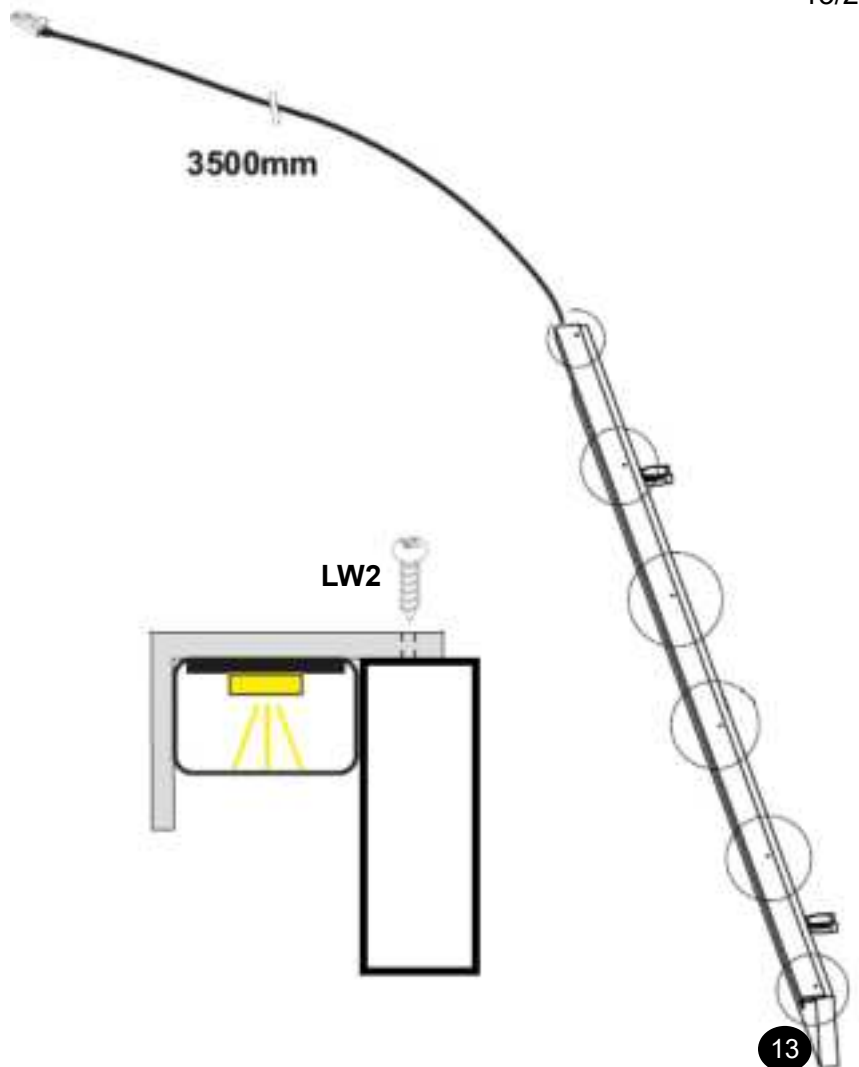
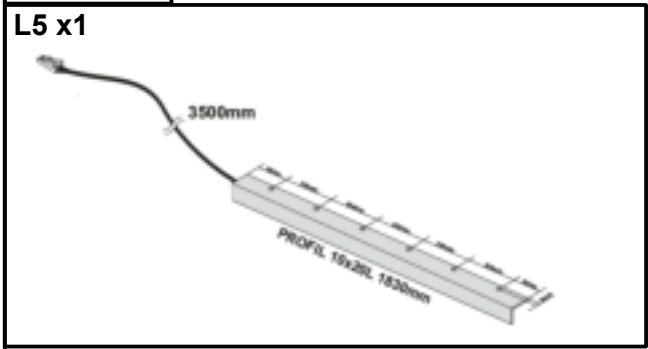
19



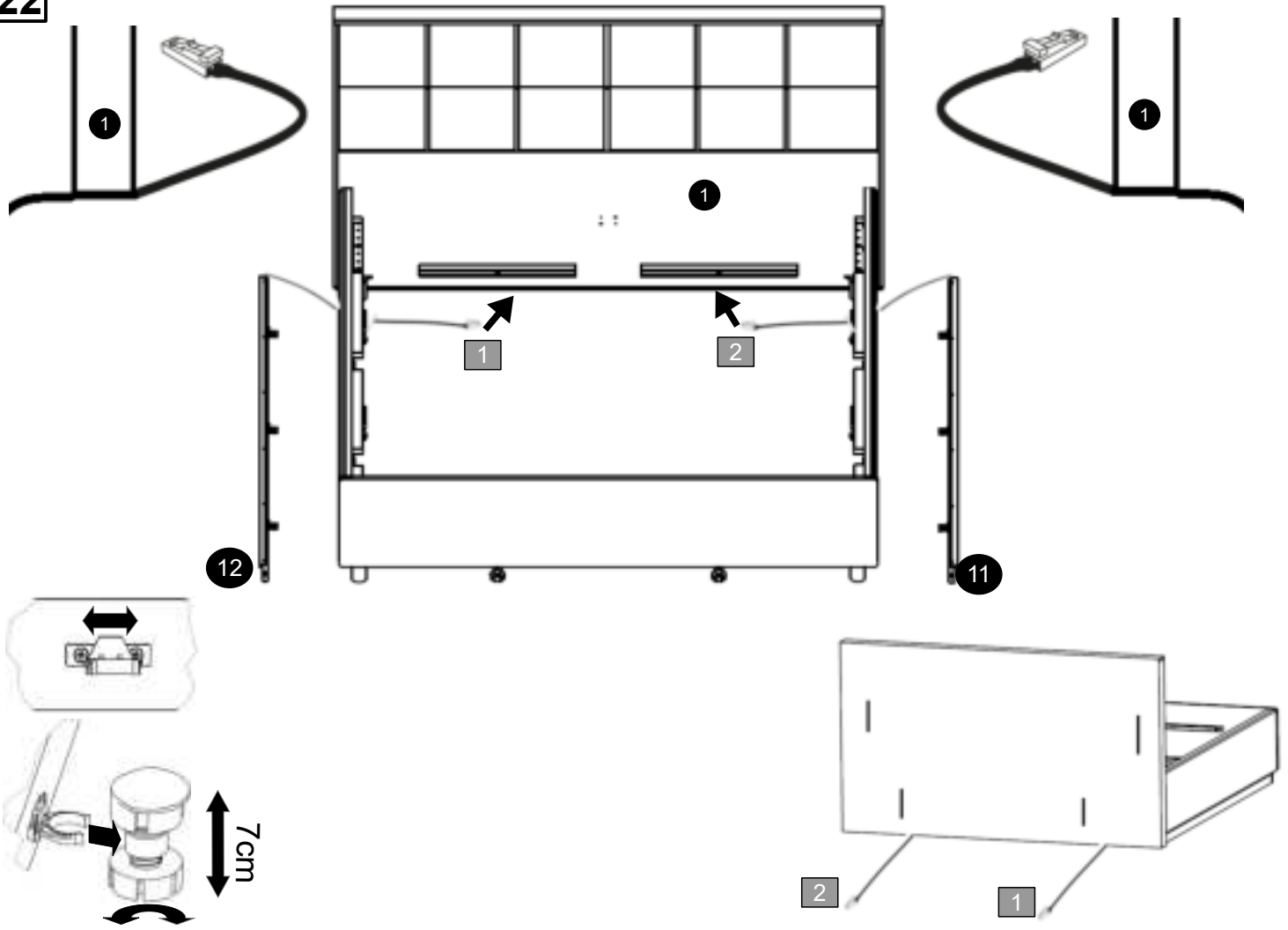
20

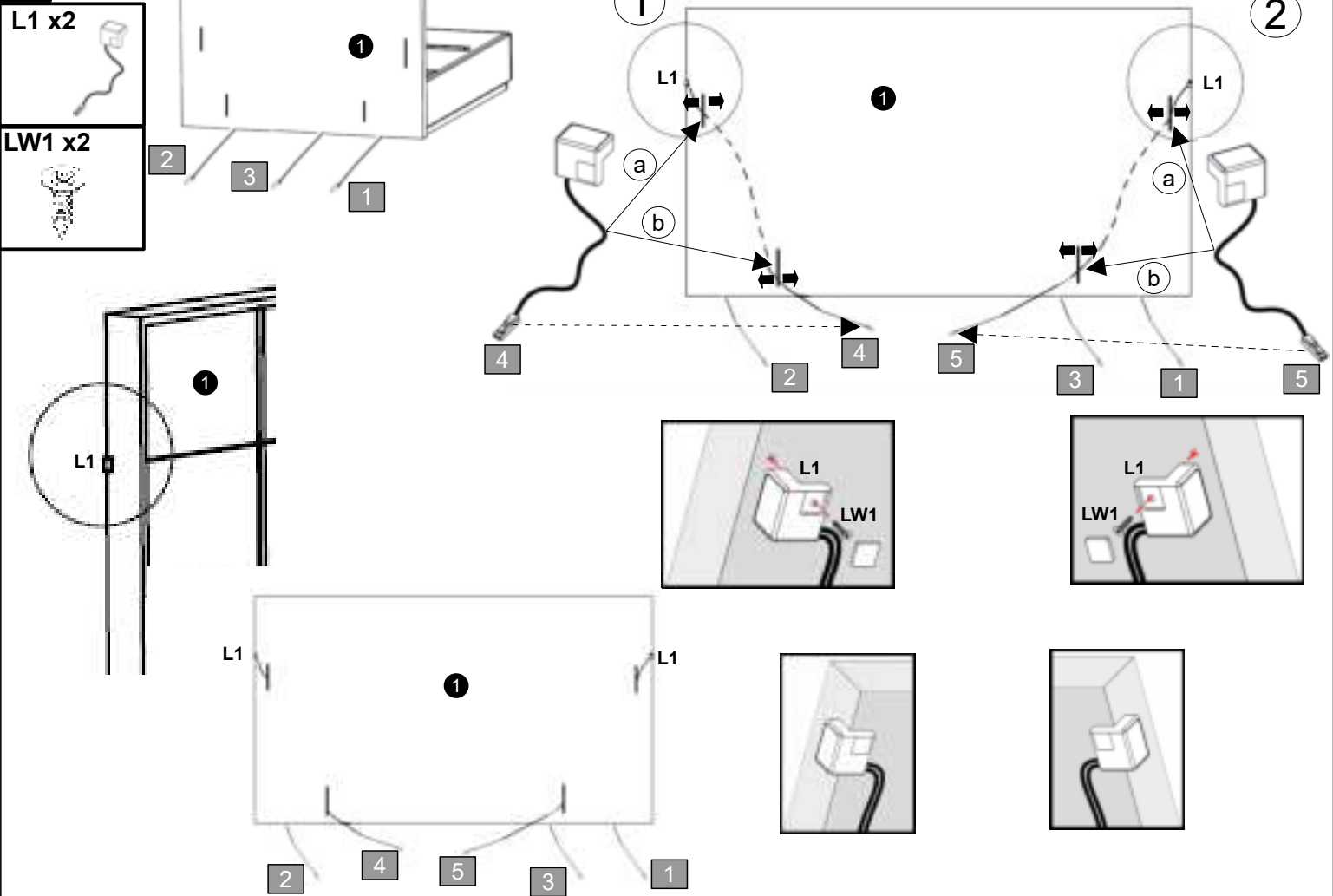
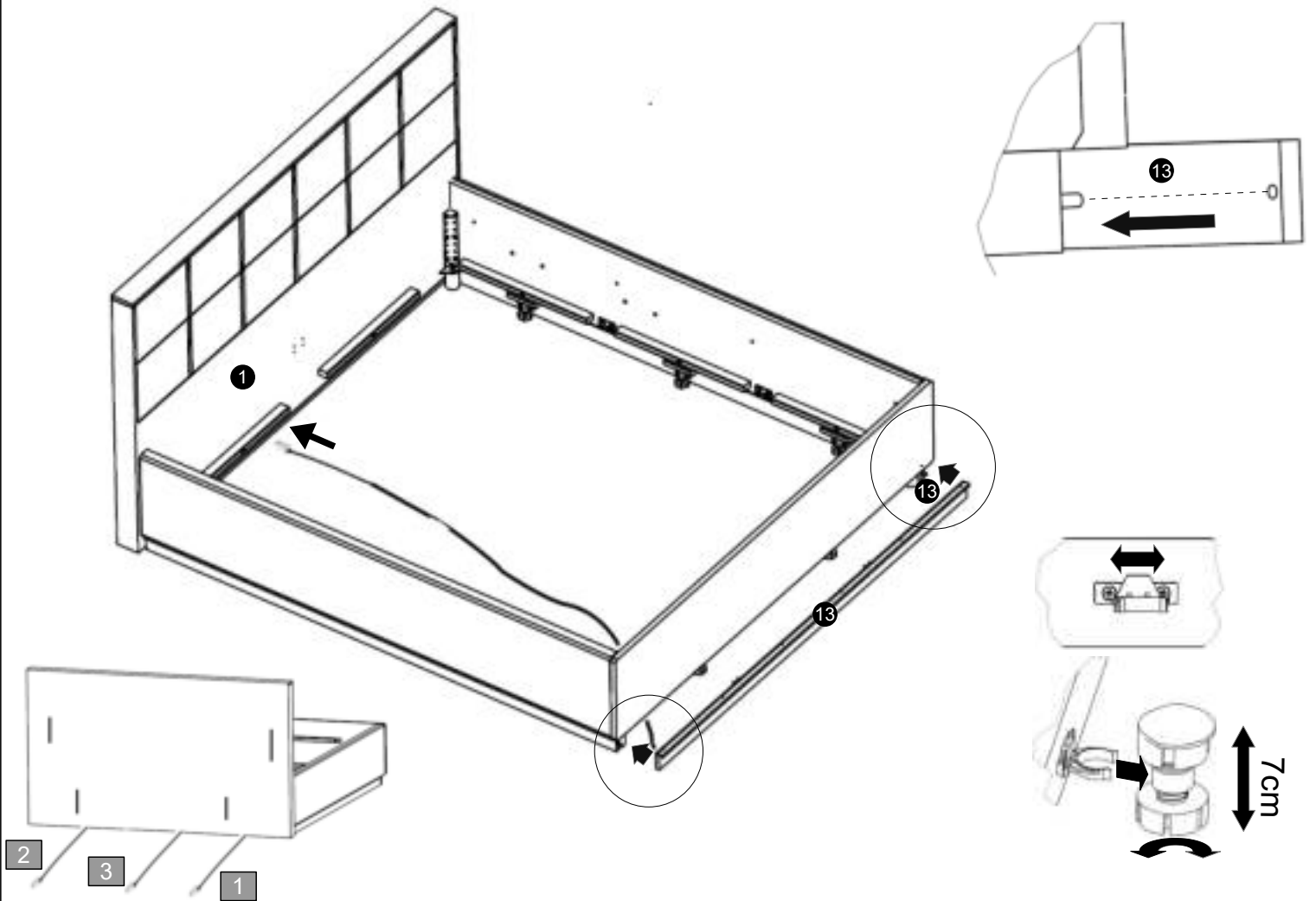


21



22







26

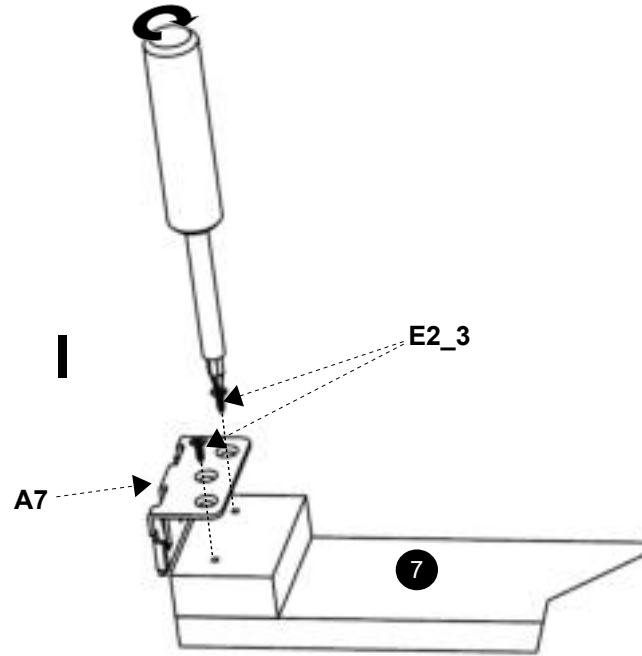
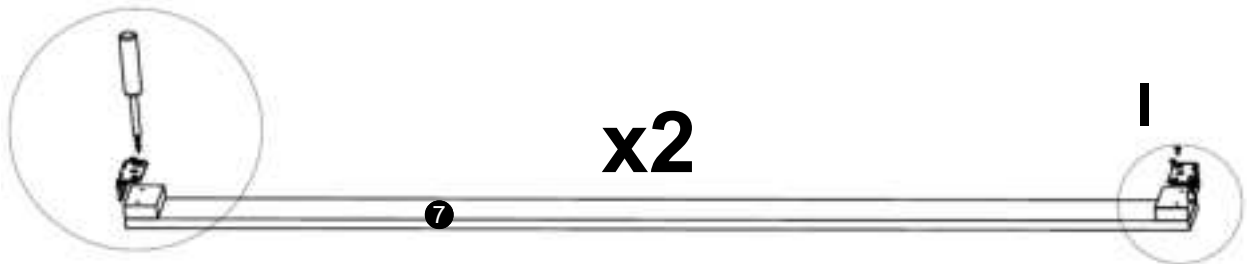
A7 x4



E2\_3 x8



US 3.5x16



27

E1\_1 x2



E1\_2 x2

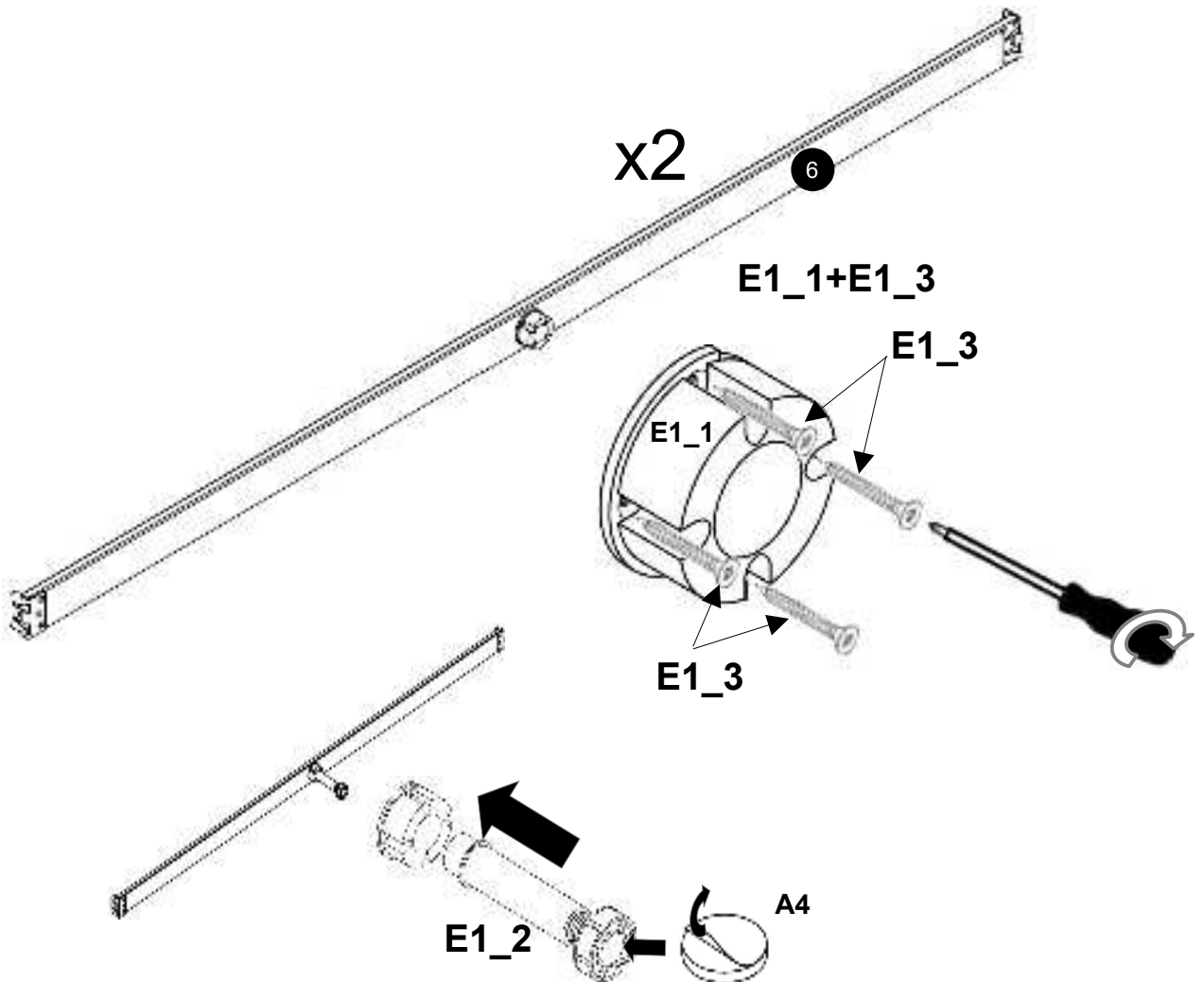


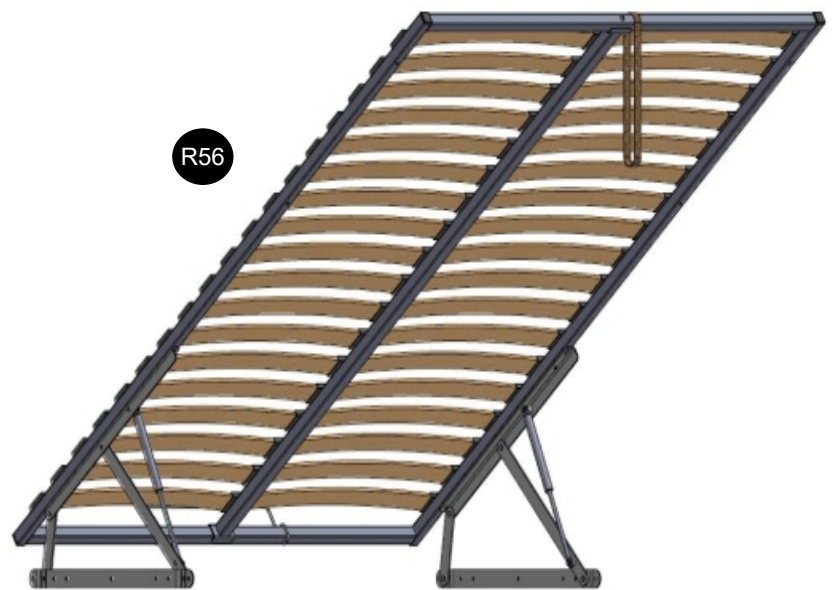
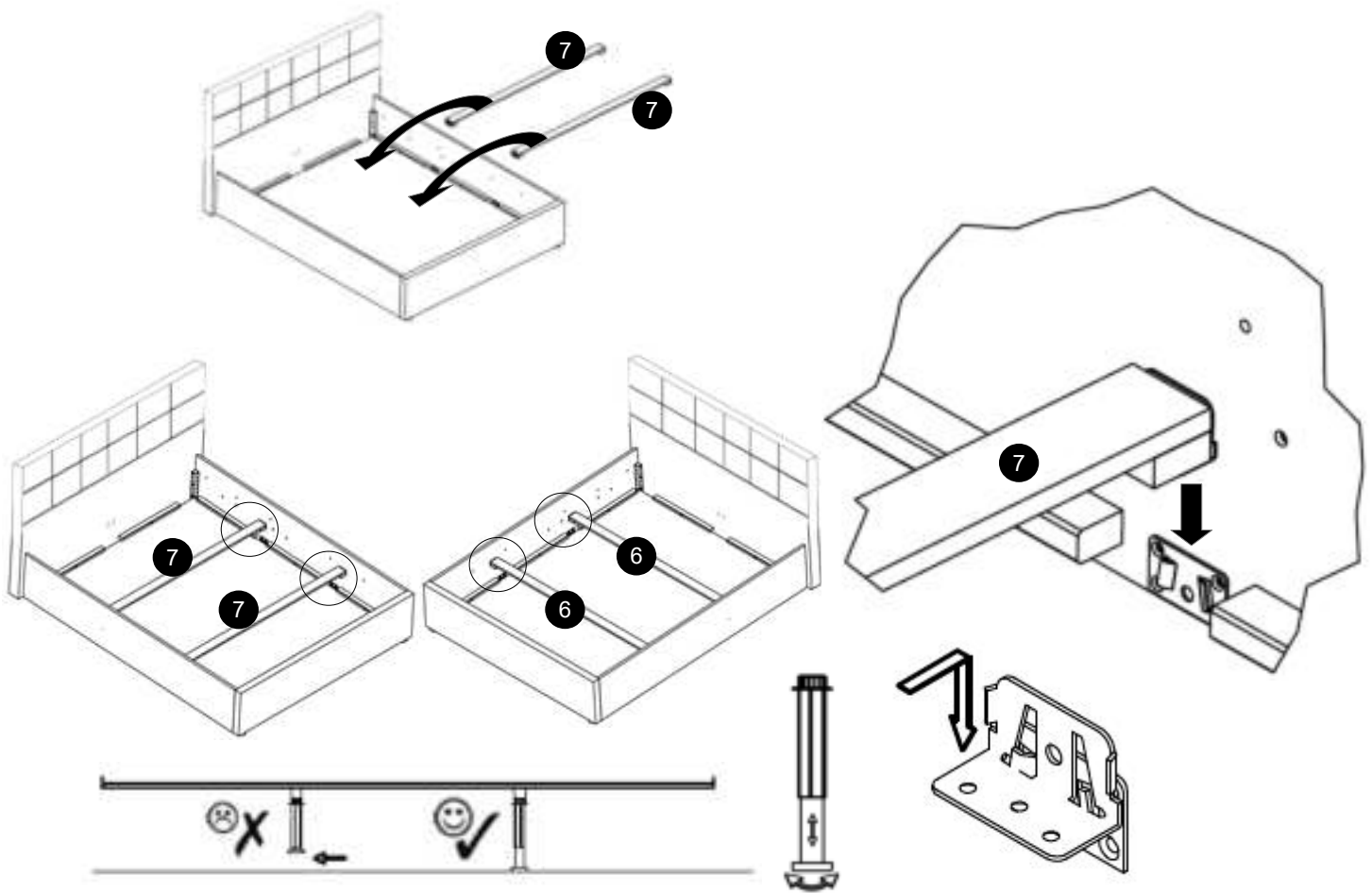
E1\_3 x8



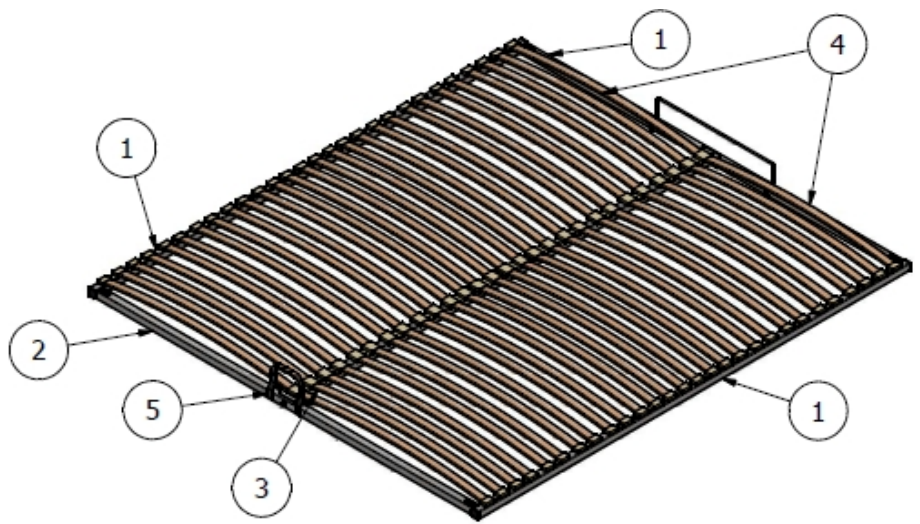
US 4x16

A4 x2



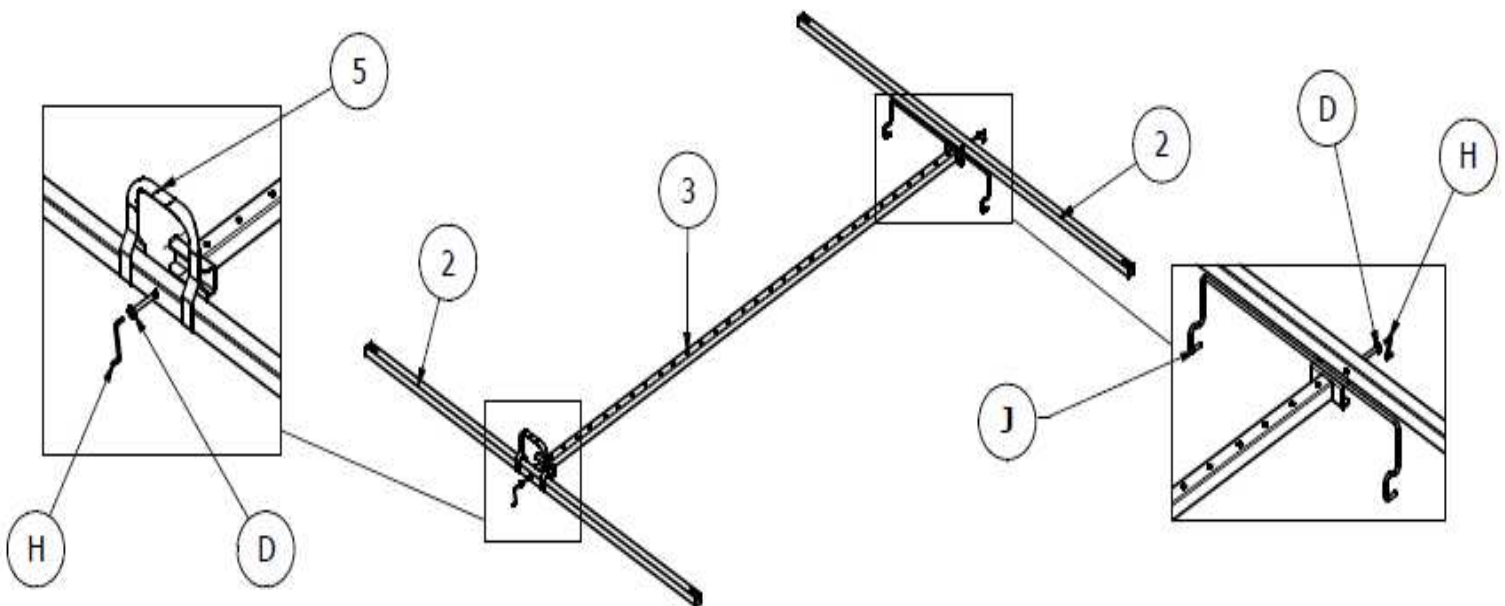


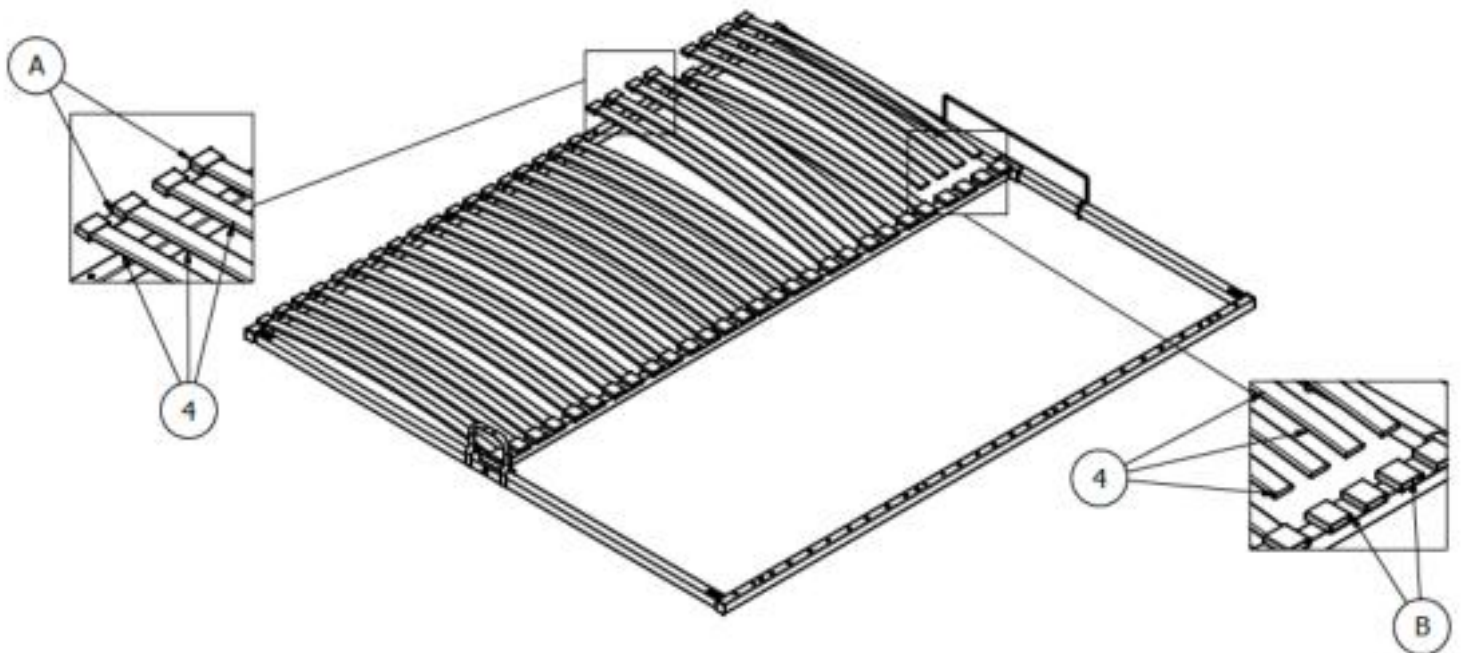
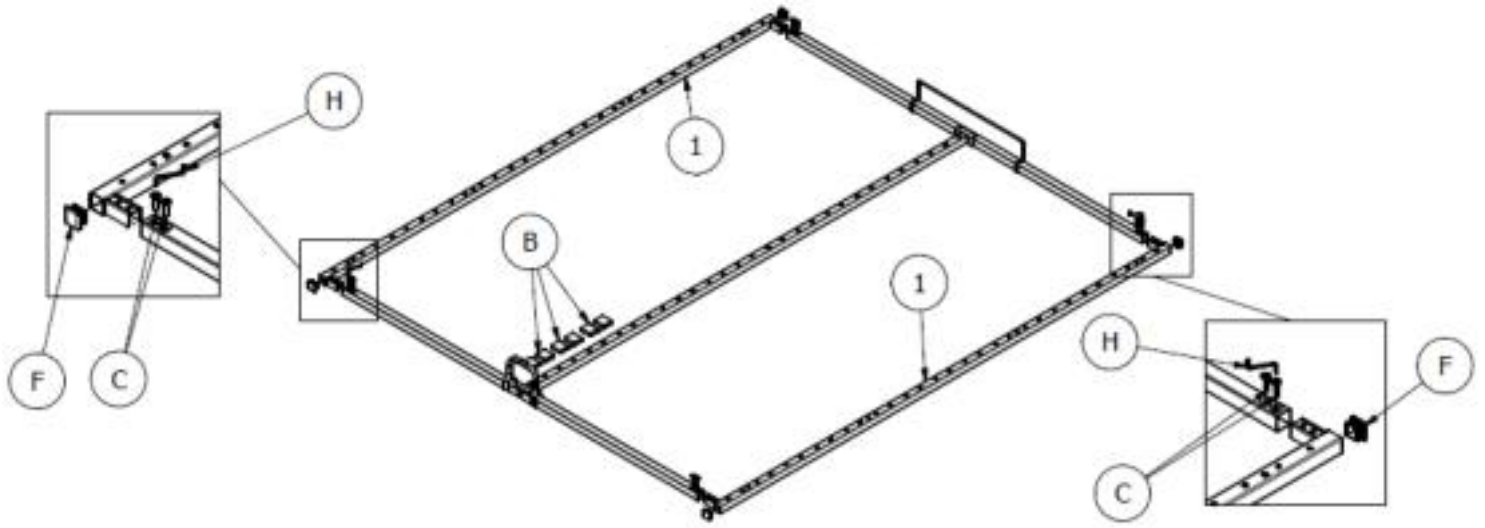
|   |    |
|---|----|
| 1 | 2  |
| 2 | 2  |
| 3 | 1  |
| 4 | 56 |
| 5 | 1  |

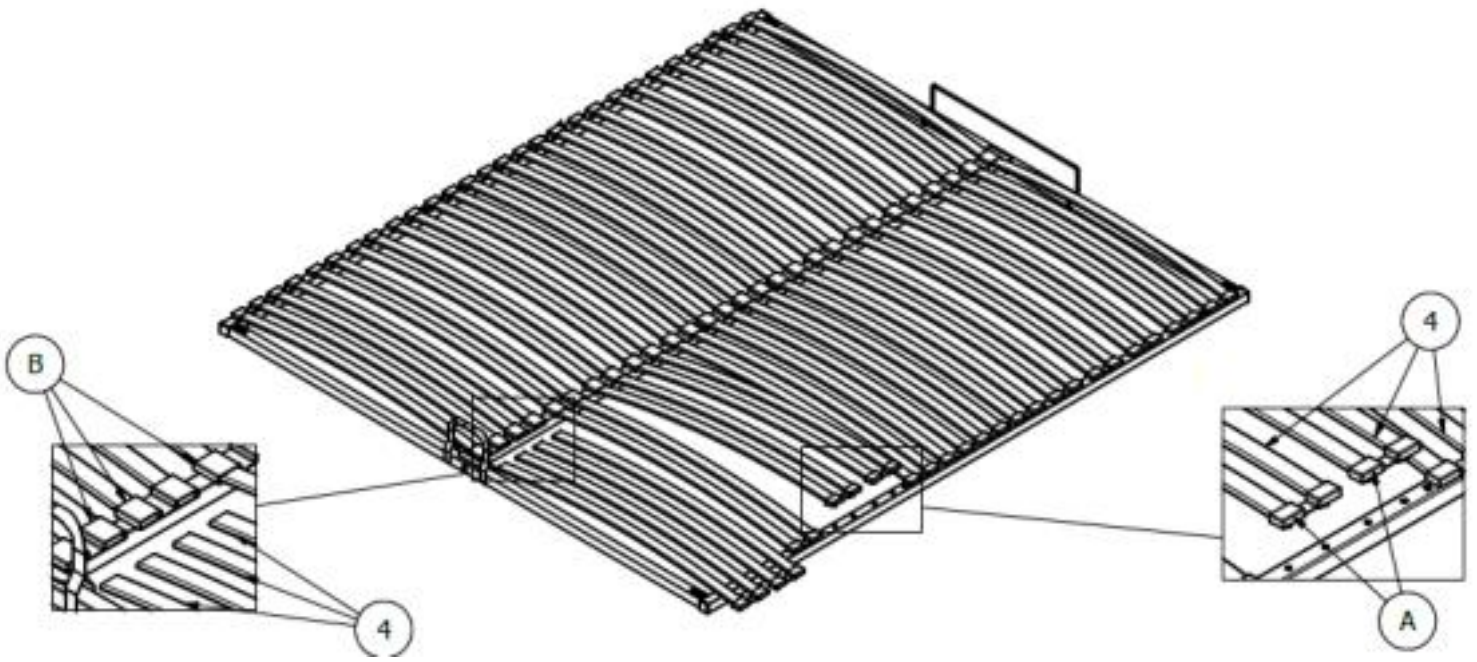


|   |  |    |
|---|--|----|
| A |  | 28 |
| B |  | 14 |
| C |  | 8  |
| D |  | 2  |
| E |  | 4  |
| F |  | 4  |
| G |  | 4  |
| H |  | 1  |

|    |  |   |
|----|--|---|
| I  |  | 1 |
| J  |  | 1 |
| K  |  | 2 |
| PL |  | 1 |
| PP |  | 1 |







A1 x8  
WP M6x25

