



Power Bank  
**ENERGIPOD20R1**



## User Manual

[www.zebronics.com](http://www.zebronics.com)

Thank you for purchasing **ZEB-EnergiPod 20R1** power bank. Please read this user manual carefully before operation & save this user manual for future reference.

**Note:**

- *Avoid the use of this product in high-temperature and high-humidity environments.*
- *Avoid the self-disassembling of the product or it will result in voiding the Product's warranty.*
- *Please charge the product with a power adapter output rated TYPE C (DC 5V/3A, DC 9V/3A, DC 12V/3A, 15V/2.3A, 20V/1.75A)*
- *To know more about Terms and conditions for warranty policy, please visit <https://zebronics.com/pages/warranty-policy>*

**Caution :** *There is a risk of explosion if the product is disposed in the fire.*

**Features :**

Dual Type-C and single USB-A Output

Rapid Charge

LED indicator

Mobile/Tablet Compatible

PD 3.0 Type C Input & Output Ports

Over Charge Protection

Overload Protection

Short Circuit Protection

35W(Max.) Output

Metal body

## Specifications:

Battery Capacity	: 20000mAh
Type-C Input	: DC 5V/3A 9V/3A 12V/3A 15V/2.3A 20V/1.75A
Output 1 & 2 (TYPE C)	: DC 5V/3A 9V/3A 12V/3A 15V/2.3A 20V/1.75A, 5~16V/2.2A PPS
Output 3 (USB)	: DC 5.5V/4A, 5V/3A, 9V/2.22A, 12V/1.67A (35 W max. output)
No.of Output port	: 1 USB-A + 2 Type C PD 3.0
Charging Time	: 4 hours (Approx)
Product Dimension (W x D x H)	: 6.7 x 2.8 x 14.2 cm
Net Weight	: 455g
Country of Origin	: Made in India

## Package Contents

Power Bank	: 1 U
Charging Cable	: 1 U
QR Code Guide	: 1 U

## Product Representation :



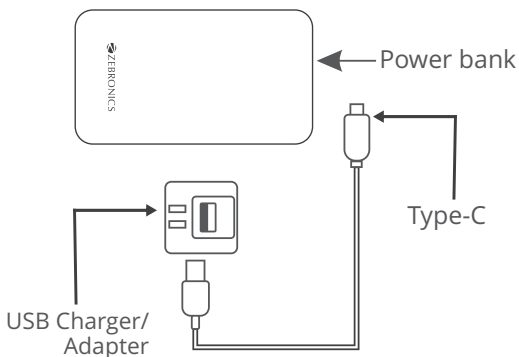
## Charging the Power Bank :

- Connect the Type C end of the charging cable to the power bank and the USB end to the charger or adapter with a Type C (DC 5V/3A, DC 9V/3A, DC 12V/3A, 15V/2.3A, 20V/1.75A) cable.

## Charging your Device with the Power Bank:

- Connect the Type C/micro USB end of the charging cable to the device and the USB/Type C end to the output ports of the power bank.

Alternatively, connect directly using the included attached Type-C cable.



[Note: Simultaneous usage of the power bank output provides standard 5V DC output]

**ISO 9001:2015 Certified Company**  
**[www.zebronics.com](http://www.zebronics.com)**